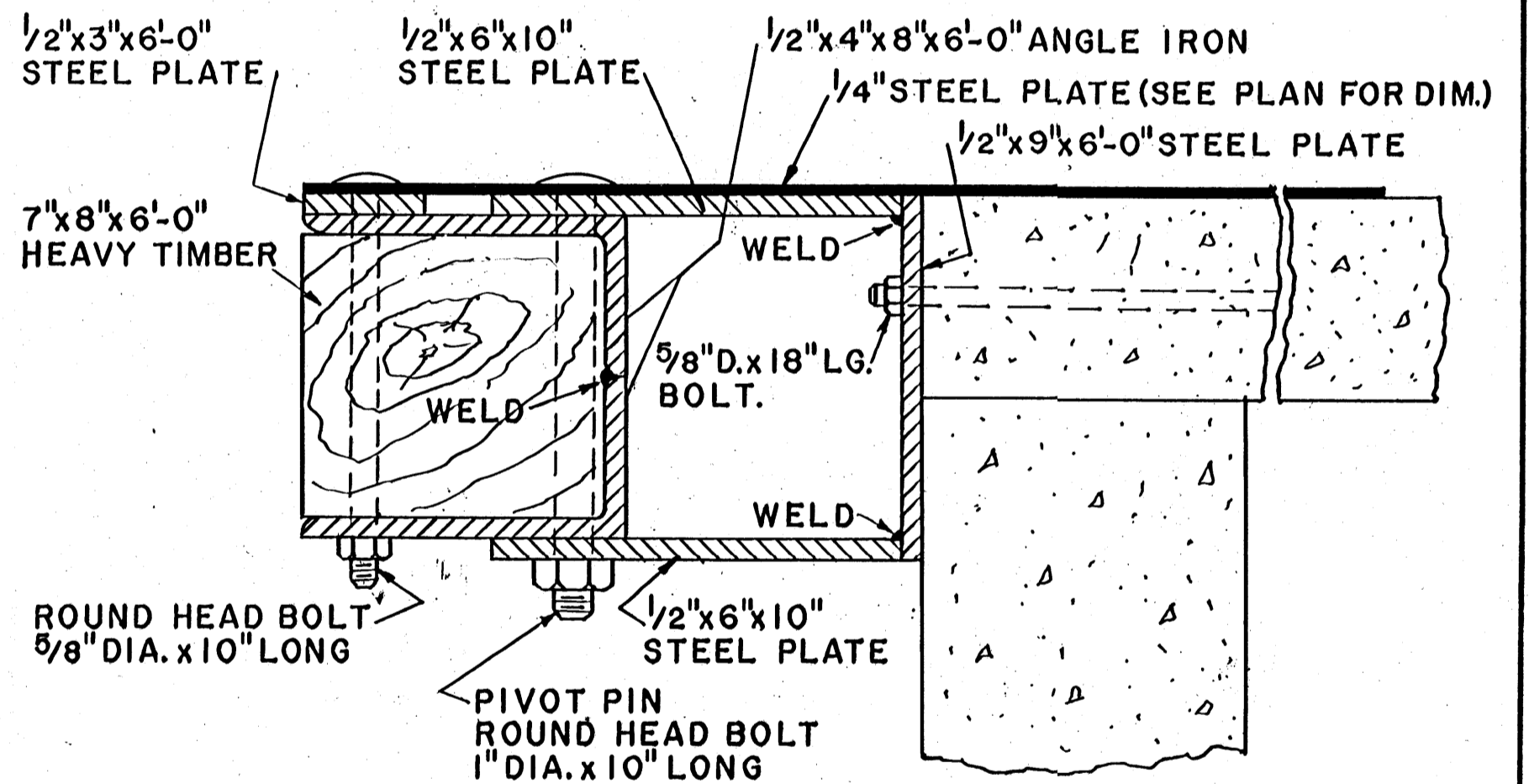
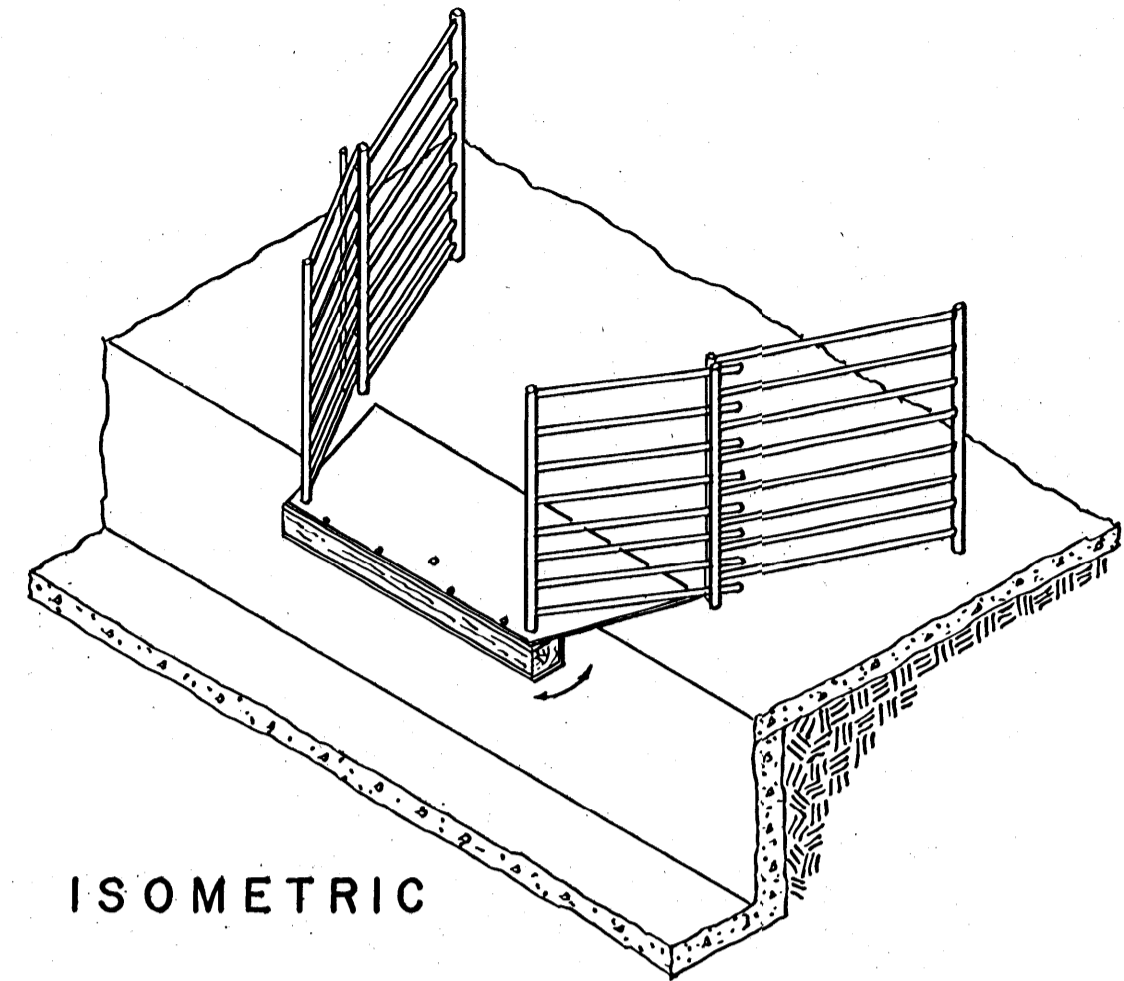
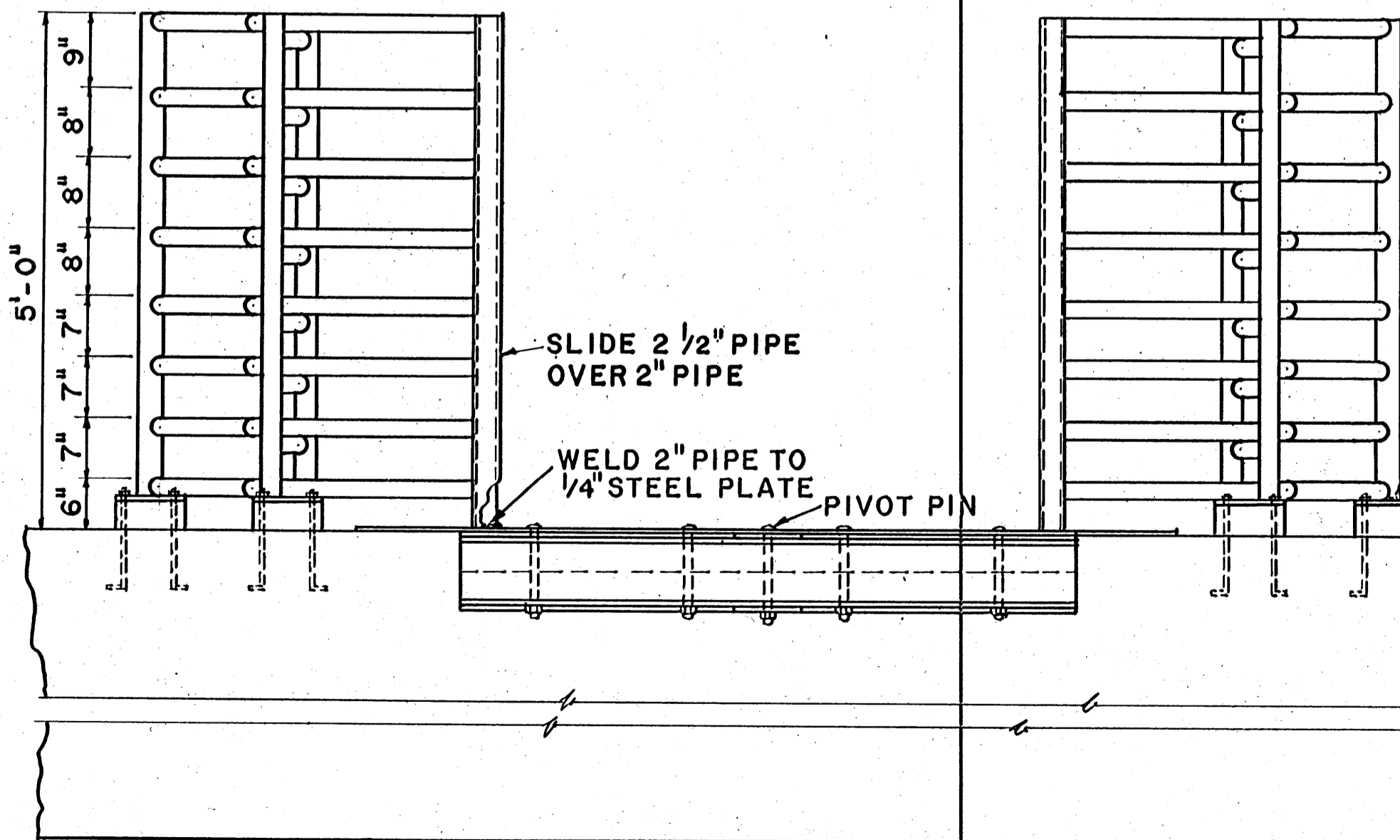


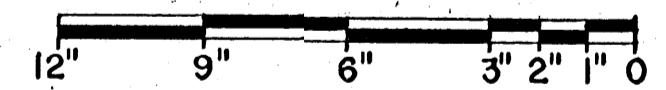
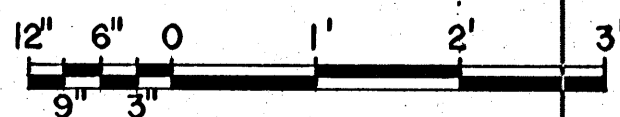
PLAN



SECTION A-A
SCALE: 3" = 1'-0"



ELEVATION



NOTE:
SCALE: 3/4" = 1'-0" UNLESS OTHERWISE NOTED.

COOPERATIVE EXTENSION WORK IN
AGRICULTURE AND HOME ECONOMICS
STATE OF MISSISSIPPI
MISSISSIPPI STATE UNIVERSITY
AND
UNITED STATES DEPARTMENT OF AGRICULTURE COOPERATING

DOCK BUMPER
SELF ALIGNING

W. VA. '74 EX. 6177 SHEET 1 OF 1

BASED ON: W. VA. UNIV. PLAN NO. MI-140

DRN: BY: MJK TR BY: MST CHK BY: AWS DATE: 1/74
DES BY: AWS MST