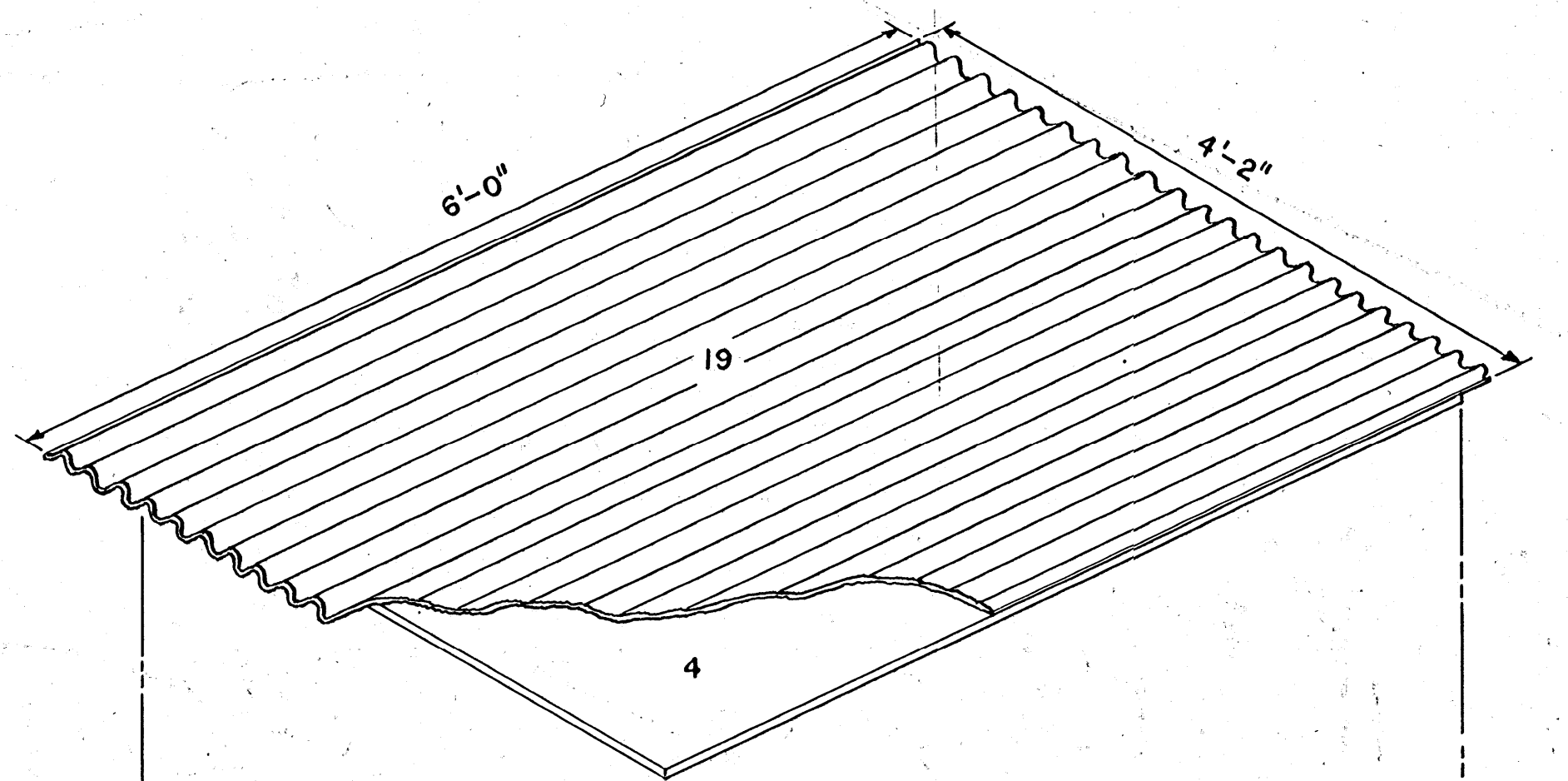


BILL OF MATERIALS

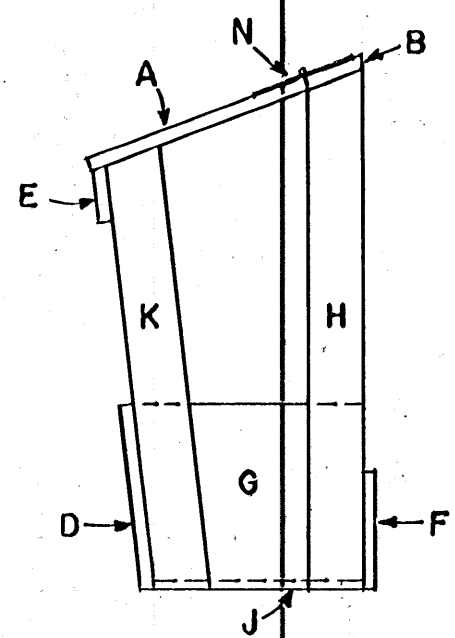
PART NO.	SIZE	Q'TY	MATERIAL
1	1/2x4x8'	2	PLYWOOD EXT. C-C
2	1/2x3x4'	1	PLYWOOD EXT. C-C
3	1/2x6x4'	1	PLYWOOD EXT. C-C
4	1/2x4x5'-6"	1	PLYWOOD EXT. C-C
5	1x2 @ 1x6	1 EA.	FIR (BLOCKING)
6	2x4x3'-11"	4	FIR
7	2x4x3'-2 1/2"	2	FIR
8	2x4x3'-7"	2	FIR
9	2x4x3'-3 1/2"	2	FIR
10	2x4x3'-1"	2	FIR
11	2x4x8'-0"	2	FIR
12	1x6x4'-0"	2	PINE
13	1x6x3'-0 1/2"	1	PINE
14	1x6x1'-5"	1	PINE
15	1x2x1'-5"	1	PINE
16	1x3x2'-7"	1	PINE
17	4"	1 PR.	STRAP HINGES
18	2"	2	GATE HOOK-NAIL-PAINT
19	26x6'-0"	2	CORRUGATED GALV. STEEL 26 GA.

MANGER MATERIALS

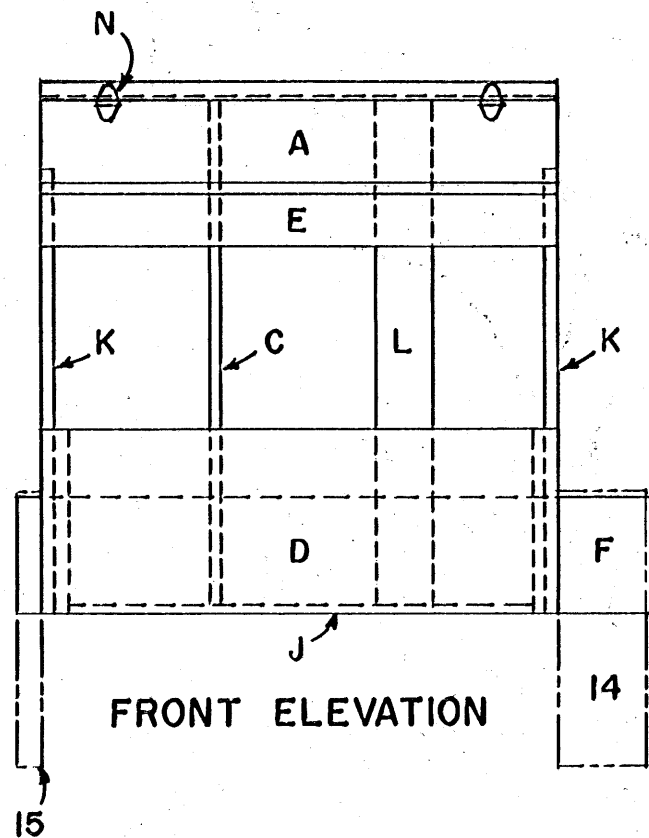
PART	SIZE	Q'TY	MATERIAL
A	3/4x1'-2 1/2x2'-8"	1	PLYWOOD EXT. C-C
B	1x4x2'-8"	1	PINE
C	3/4x1'-6 1/2x2'-7 1/2"	1	PLYWOOD EXT. C-C
D	1x12x2'-8"	1	PINE
E	1x4x2'-8"	1	PINE
F	1x8x3'-3 1/2"	1	PINE
G	1x12x1'-2 1/4"	2	PINE
H	1x4x2'-8 1/4"	2	PINE
J	1'-1 1/2x2'-5"	1	PLYWOOD EXT. C-C
K	1x4x2'-3 3/4"	2	PINE
L	1x4x2'-7 1/2"	1	PINE
M	FEED BUCKET & BRACKET		
N	6"	1 PR.	STRAP HINGES
O	NAILS, PAINT-AVOID USE OF LEAD PIGMENTS		



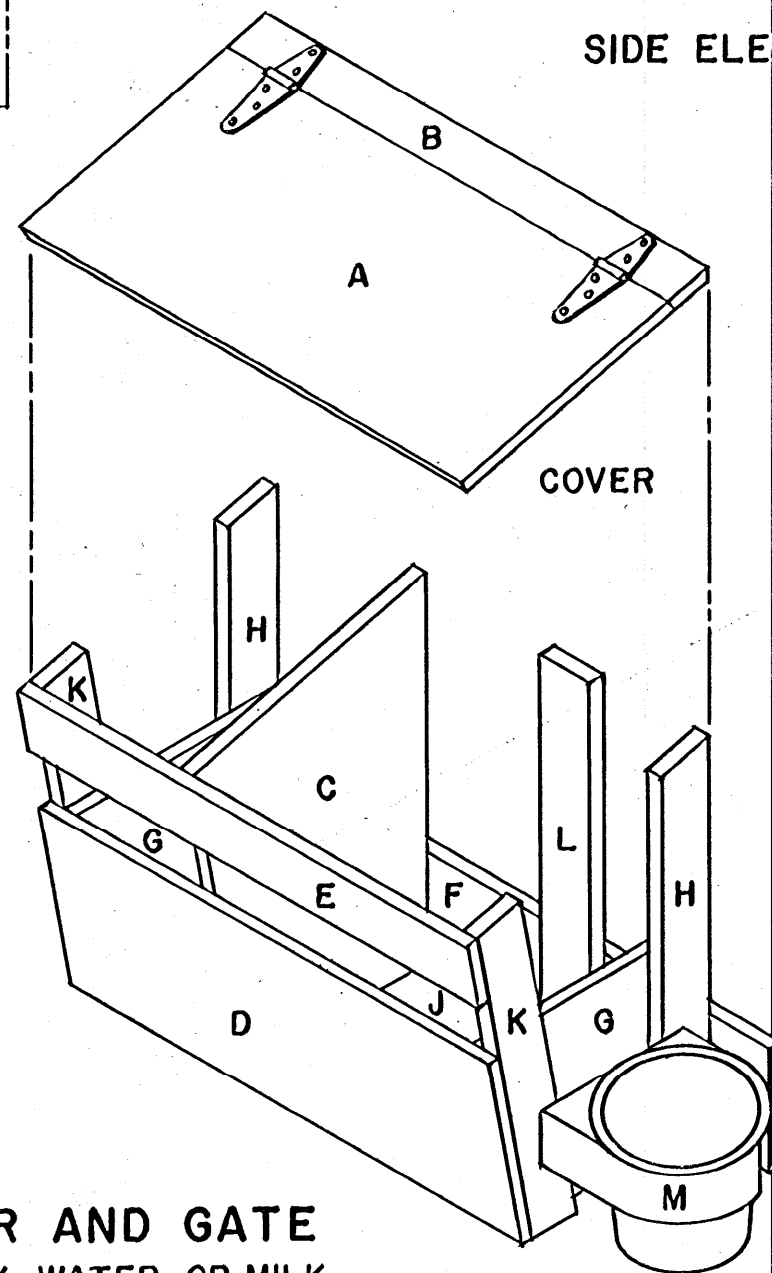
MANGER AND GATE



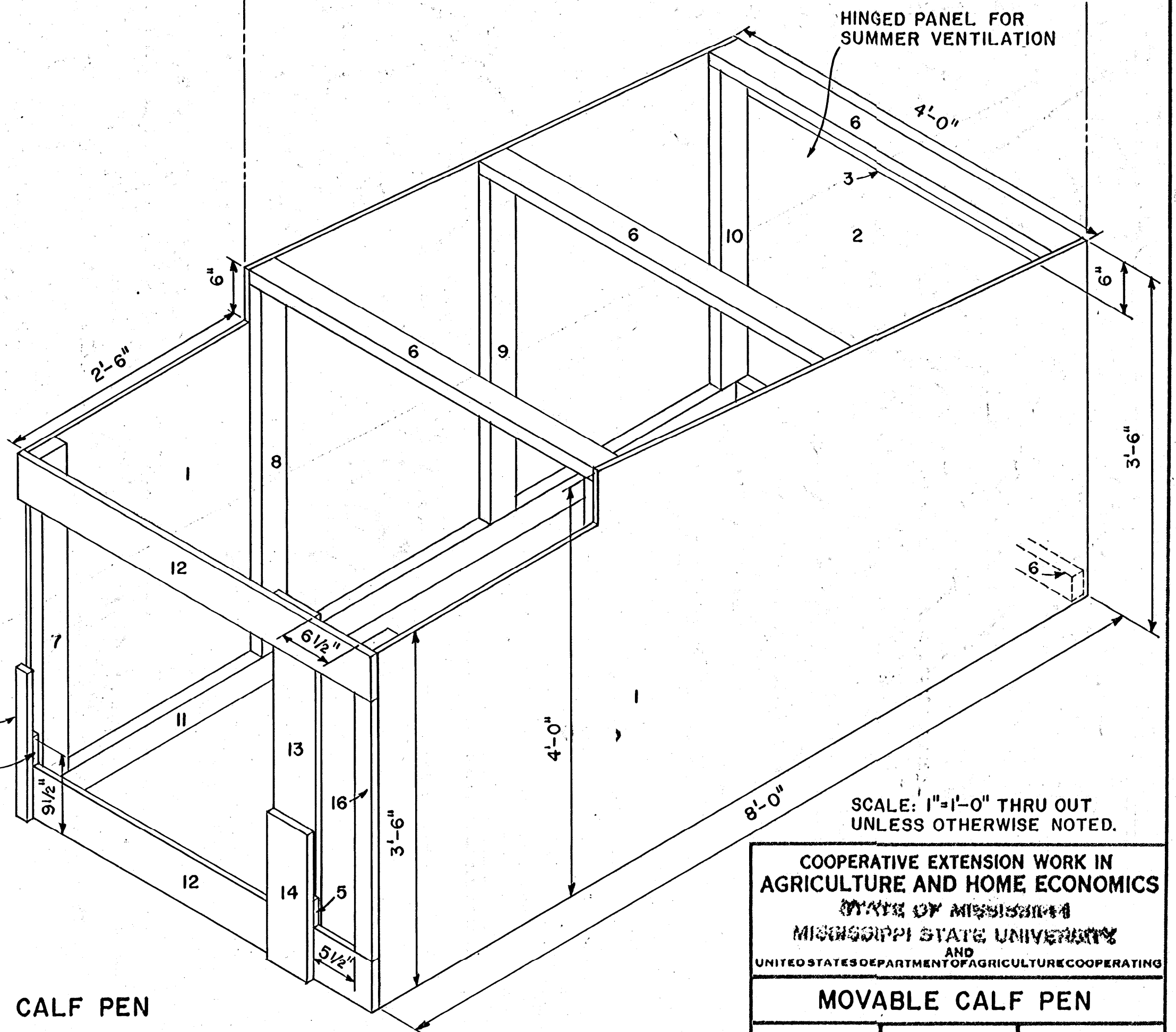
SIDE ELEVATION



FRONT ELEVATION



MANGER AND GATE
GRAIN, HAY, WATER, OR MILK



CALF PEN

BASED ON: UTAH STATE UNIV. PLAN NO. 6-010

SCALE: 1"=1'-0" THRU OUT
UNLESS OTHERWISE NOTED.

COOPERATIVE EXTENSION WORK IN
AGRICULTURE AND HOME ECONOMICS
STATE OF MISSISSIPPI
MISSISSIPPI STATE UNIVERSITY
AND
UNITED STATES DEPARTMENT OF AGRICULTURE COOPERATING

MOVABLE CALF PEN

UTAH '74	6180	SHEET 1 OF 1
----------	------	--------------