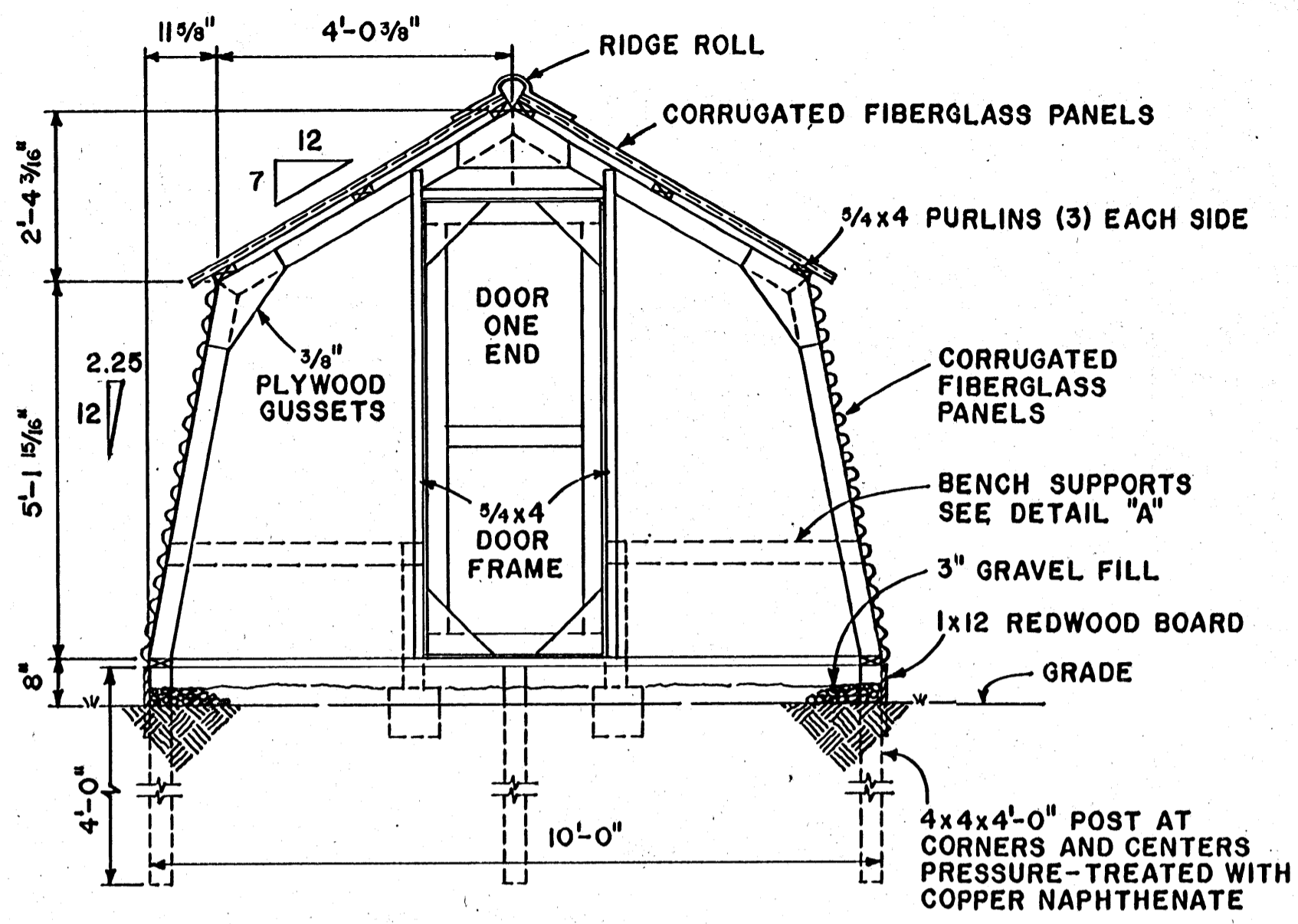
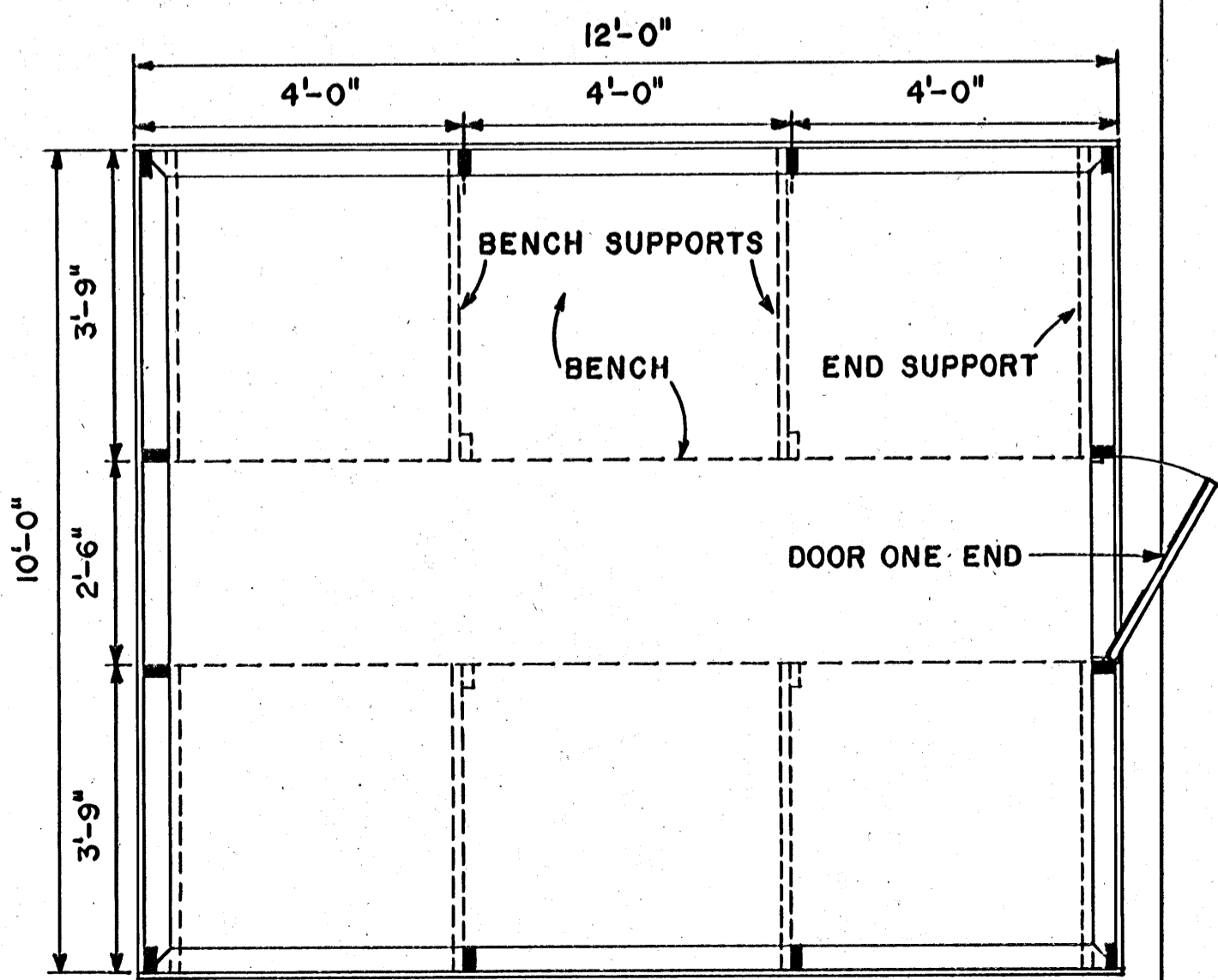


NOTE #1
 3/4x4x6" CLEATS CENTERED IN 4'-0" BAYS & NAILED TO UNDERSIDE OF EAVE PURLINS FOR THE PURPOSE OF SECURING TOP EDGE OF SIDE FIBERGLASS PANELS.

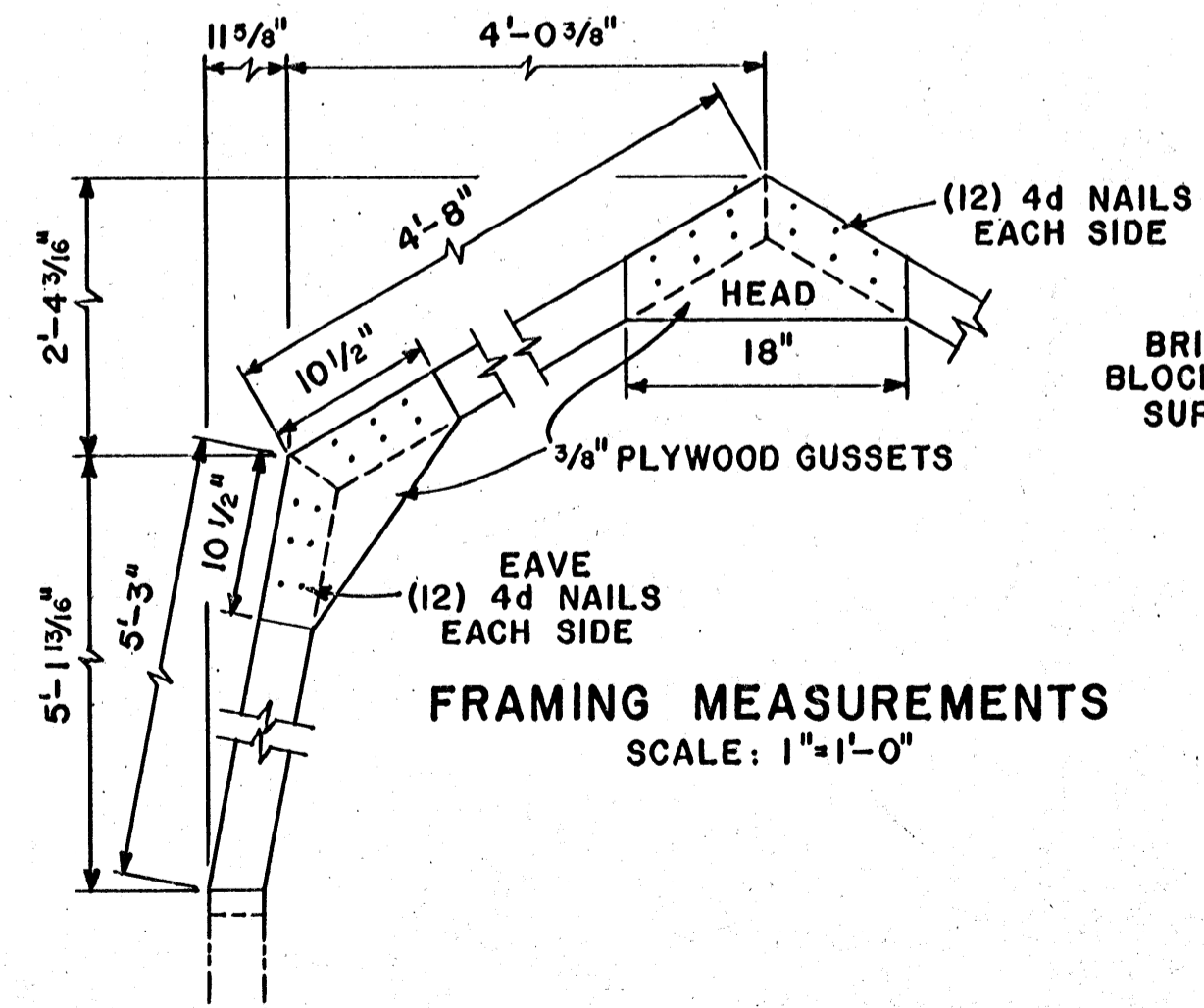


CROSS SECTION
 SCALE: 1/2" = 1'-0"

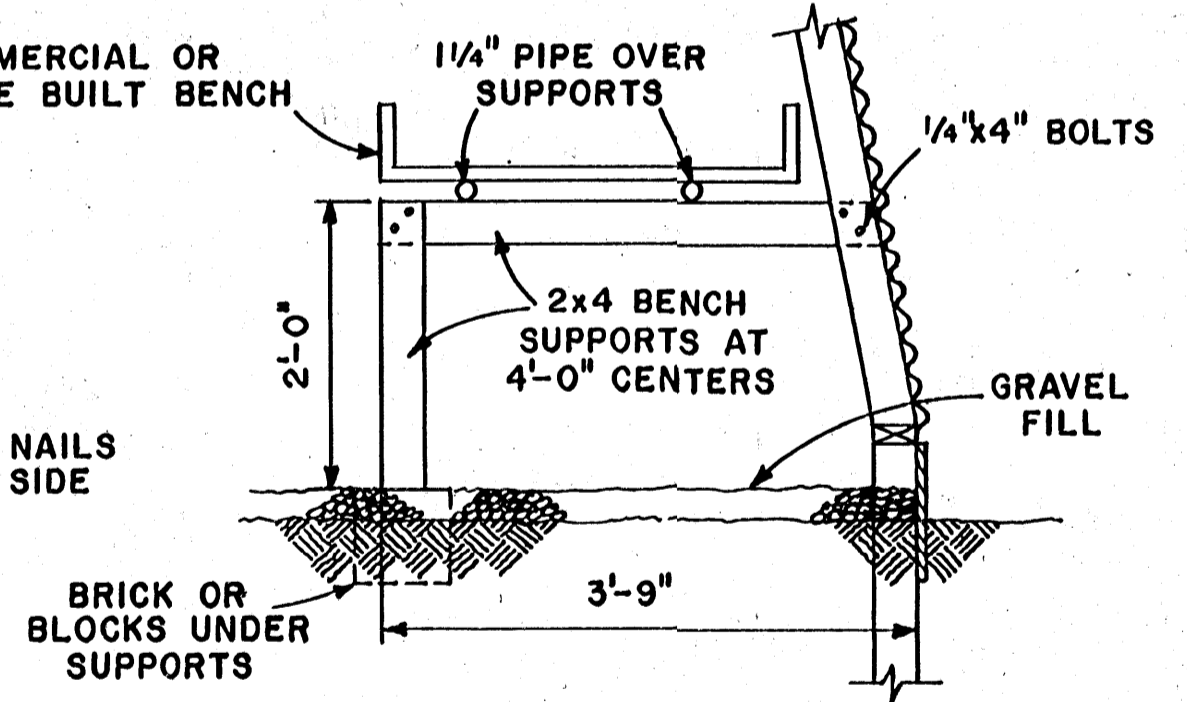
ISOMETRIC VIEW



PLAN
 SCALE: 1/2" = 1'-0"



FRAMING MEASUREMENTS
 SCALE: 1" = 1'-0"



DETAIL "A"
 SCALE: 3/4" = 1'-0"

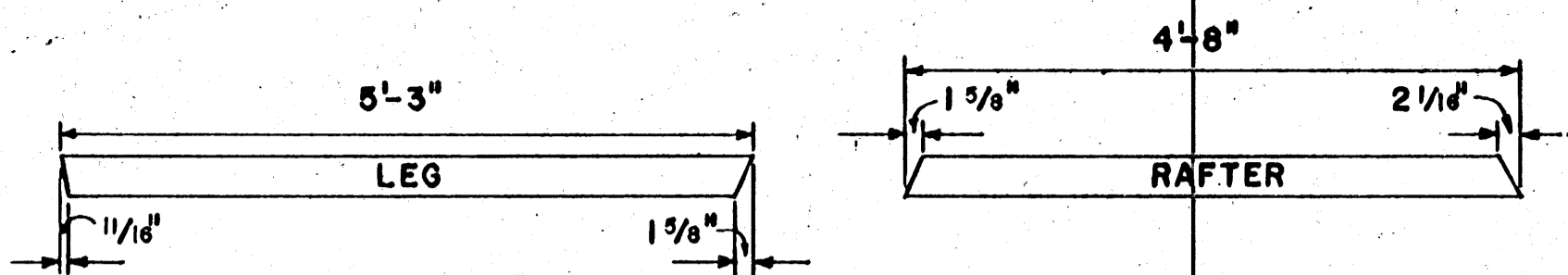
REVISED APRIL 1975

COOPERATIVE EXTENSION WORK IN
 AGRICULTURE AND HOME ECONOMICS
 STATE OF MISSISSIPPI
 MISSISSIPPI STATE UNIVERSITY
 AND
 UNITED STATES DEPARTMENT OF AGRICULTURE COOPERATING

HOME GREENHOUSE

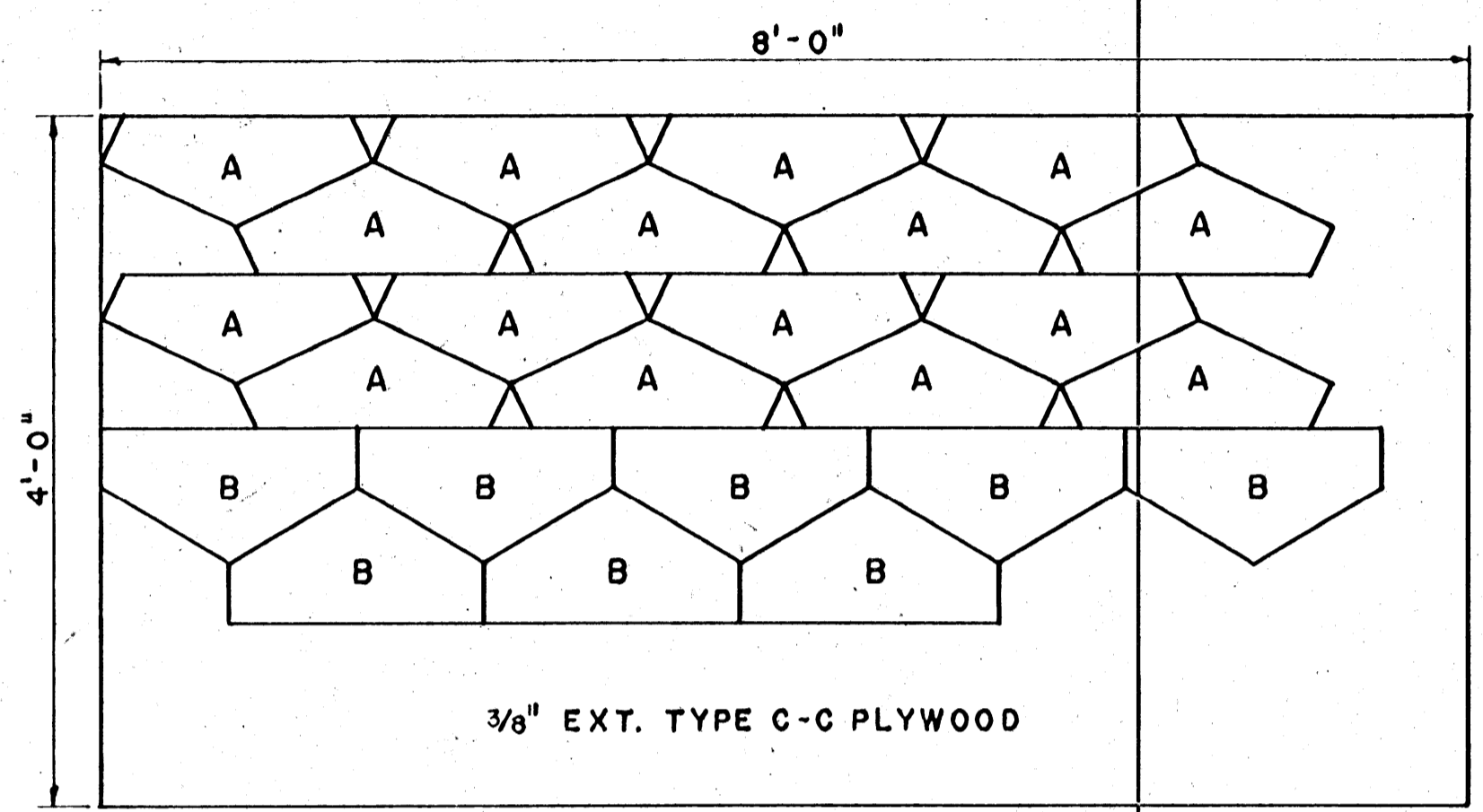
N.J. '74 6181 SHEET 1 OF 2

BASED ON: UNIV. OF ILL. CIR. 880
 & RUTGERS PLAN NO. 158



FRAME CUTTING LAYOUT (CUT FROM (8) 2x4x10')

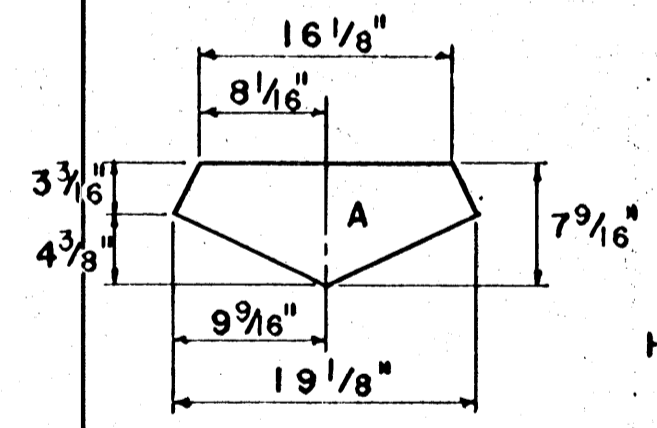
SCALE: 3/4" = 1'-0"
12" 6" 0"



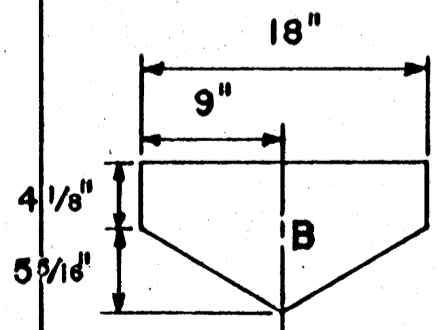
PLYWOOD SHEET CUTTING DIAGRAM

SCALE: 1" = 1'-0"
12" 6" 0"

- BILL OF MATERIALS**
- CORRUGATED FIBERGLASS REINFORCED PANELS (F.R.P.) *
5 OZ. COATING:
- ROOF PANELS (6) 2x10' CUT IN HALF
 - SIDE PANELS (5) 2x12', 2 SHEETS EACH SIDE
5 TH SHEET CUT LENGTHWISE
 - END PANELS (9) 2x8' OF WHICH 5 ARE LOCATED
AT END WITH NO DOOR
 - RIDGE ROLL (1) 12' LENGTH
- LUMBER:
- (8) 2x4x10' TO MAKE FRAMES
 - (2) 2x4x10' SILL AT ENDS (P.T. COPPER NAPHTHENATE)
 - (2) 2x4x12' SILL AT SIDES (P.T. COPPER NAPHTHENATE)
 - (2) 2x4x16' END FRAMING
 - BENCH SUPPORTS NOT INCLUDED
 - (8) 3/4x4x12' FOR PURLINS & DOOR
 - (2) 4x4x16' P.T. POST FOR FOOTINGS
 - (2) 1x12x12' & (2) 1x12x10' REDWOOD BOARDS
 - (1) 4x8x1/4" EXTERIOR TYPE CC PLYWOOD SHEET FOR PLYWOOD GUSSETS. SEE CUTTING DIAGRAM.
- * CHECK WITH FIBERGLASS SUPPLIER FOR NECESSARY RELATED HARDWARE & COVERING INSTRUCTIONS.
NAILS, HINGES & LATCH.

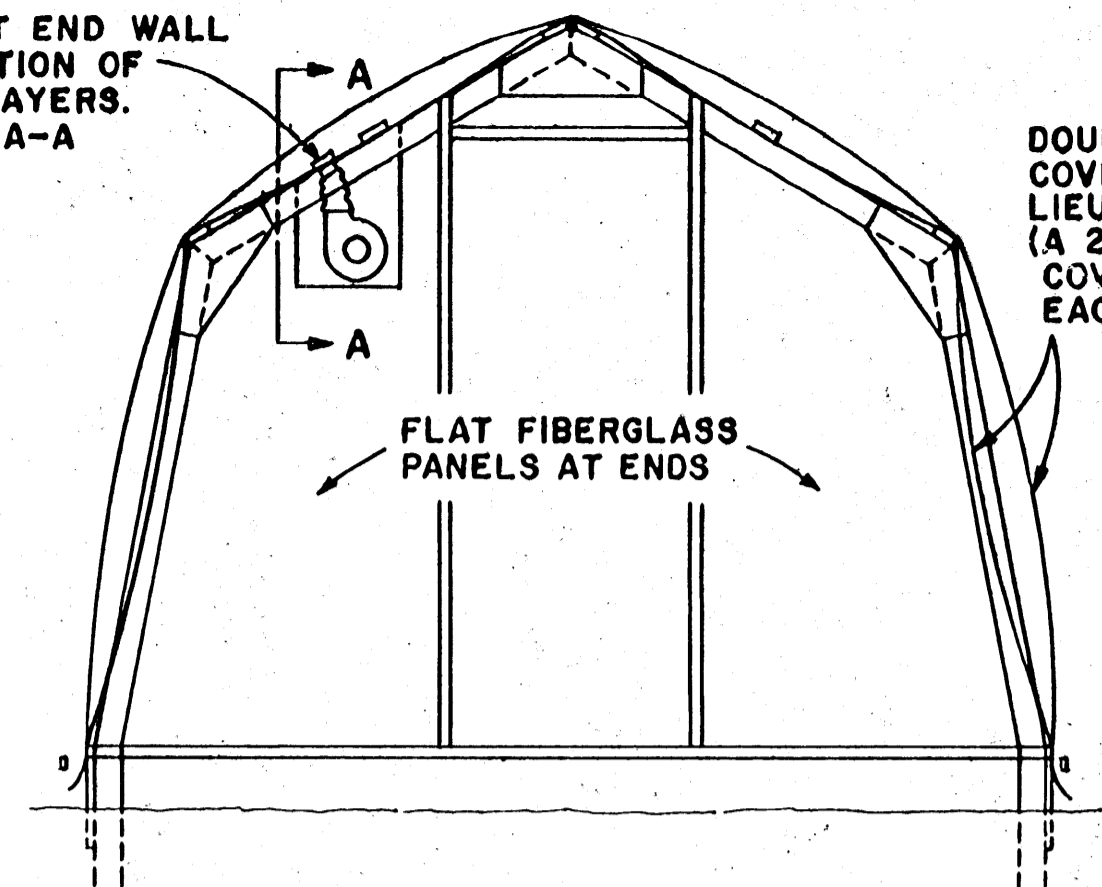


SIDE GUSSETS
16 REQ'D



HEAD GUSSETS
8 REQ'D

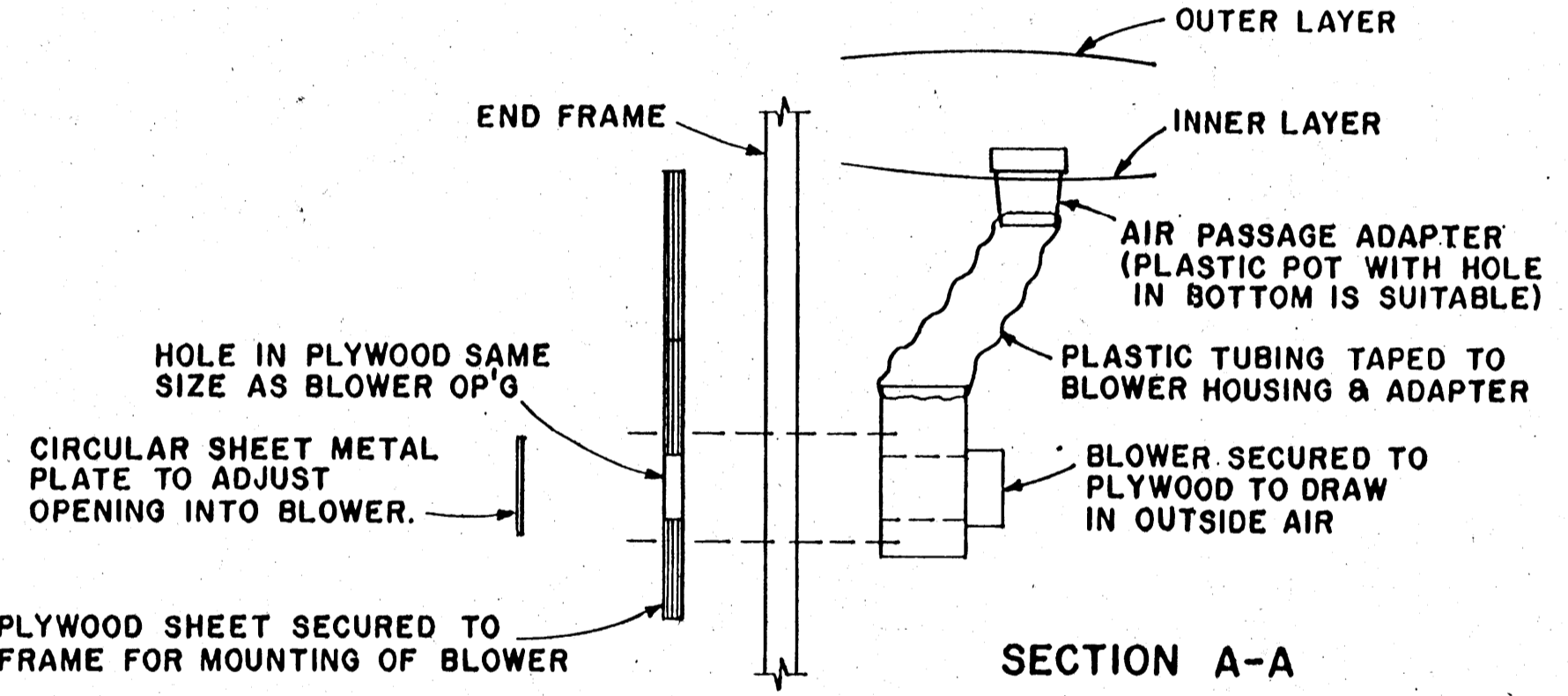
BLOWER AT END WALL FOR INFLATION OF PLASTIC LAYERS. SEE SECT. A-A



ALTERNATE CROSS SECTION

SCALE: 1/2" = 1'-0"
12" 6" 0" 1' 2'

DOUBLE LAYER 6 MILL PLASTIC COVERING, AIR INFLATED, IN LIEU OF FIBERGLASS PANELS. (A 24x100' ROLL OF PLASTIC WILL COVER HOUSE 4 TIMES. ONCE EACH YEAR FOR 4 YEARS.)



SECTION A-A

ENVIRONMENTAL CONTROL

HEATING:
TO MAINTAIN A TEMPERATURE DIFFERENCE OF 60° BETWEEN INSIDE & OUTSIDE
30,000 BTU/HR. SINGLE COVERING
20,000 BTU/HR. DOUBLE COVERING
CONNECTION TO HOME HEATING SYSTEM IS MOST DESIRABLE. IF NOT POSSIBLE, USE GAS OR OIL HEATER VENTED TO THE OUTSIDE. ELECTRIC HEATERS ARE EASY TO INSTALL, CLEAN, BUT EXPENSIVE TO OPERATE. WHEN USING OIL OR GAS, BE SURE TO PROVIDE A FRESH AIR SUPPLY DIRECTLY TO THE HEATER TO SUPPLY OXYGEN FOR COMBUSTION.

VENTILATING:
REQUIRE A TWO SPEED FAN RATED AT 1000 CFM. AN AUTOMATIC AIR INLET OF 2 SQ. FT. IS REQUIRED. THE FAN CAN BE MOUNTED IN ONE GABLE END AND AIR INLET IN THE OTHER. BOTH SHOULD BE CONTROLLED BY A THERMOSTAT. FOR MORE INFORMATION SEE USDA BULLETIN NUMBER 357 "BUILDING HOBBY GREENHOUSES."

COOPERATIVE EXTENSION WORK IN
AGRICULTURE AND HOME ECONOMICS
STATE OF MISSISSIPPI
MISSISSIPPI STATE UNIVERSITY
AND
UNITED STATES DEPARTMENT OF AGRICULTURE COOPERATING

HOME GREENHOUSE