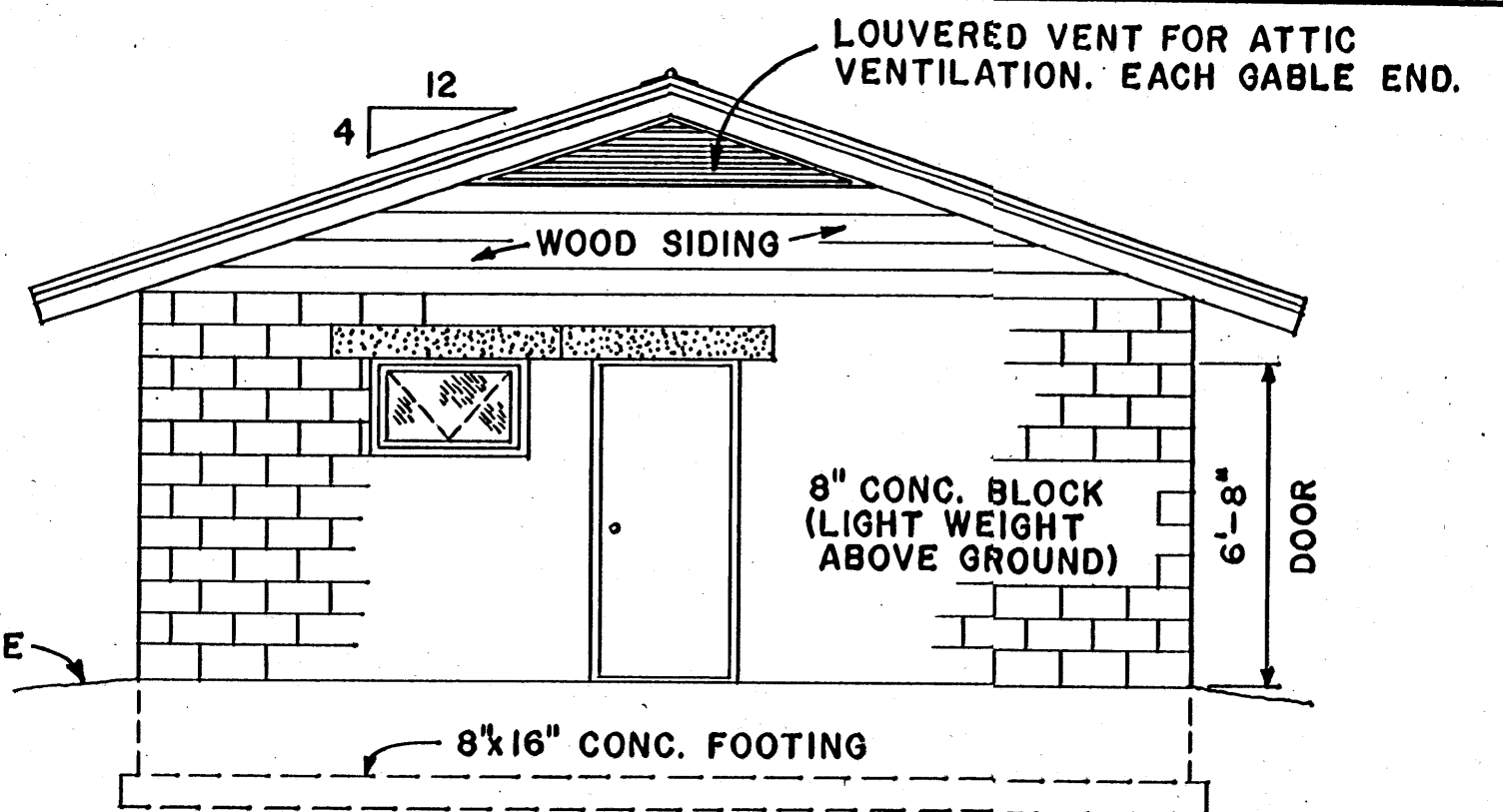


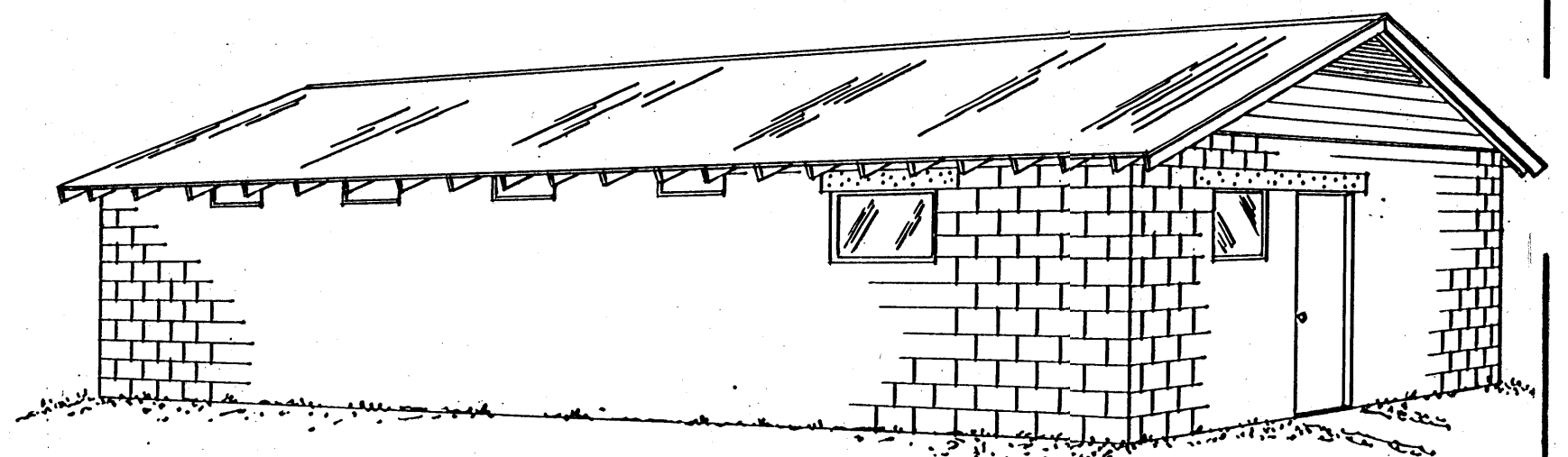
SIDE ELEVATION



FRONT ELEVATION

**ELECTRICAL SYMBOLS**

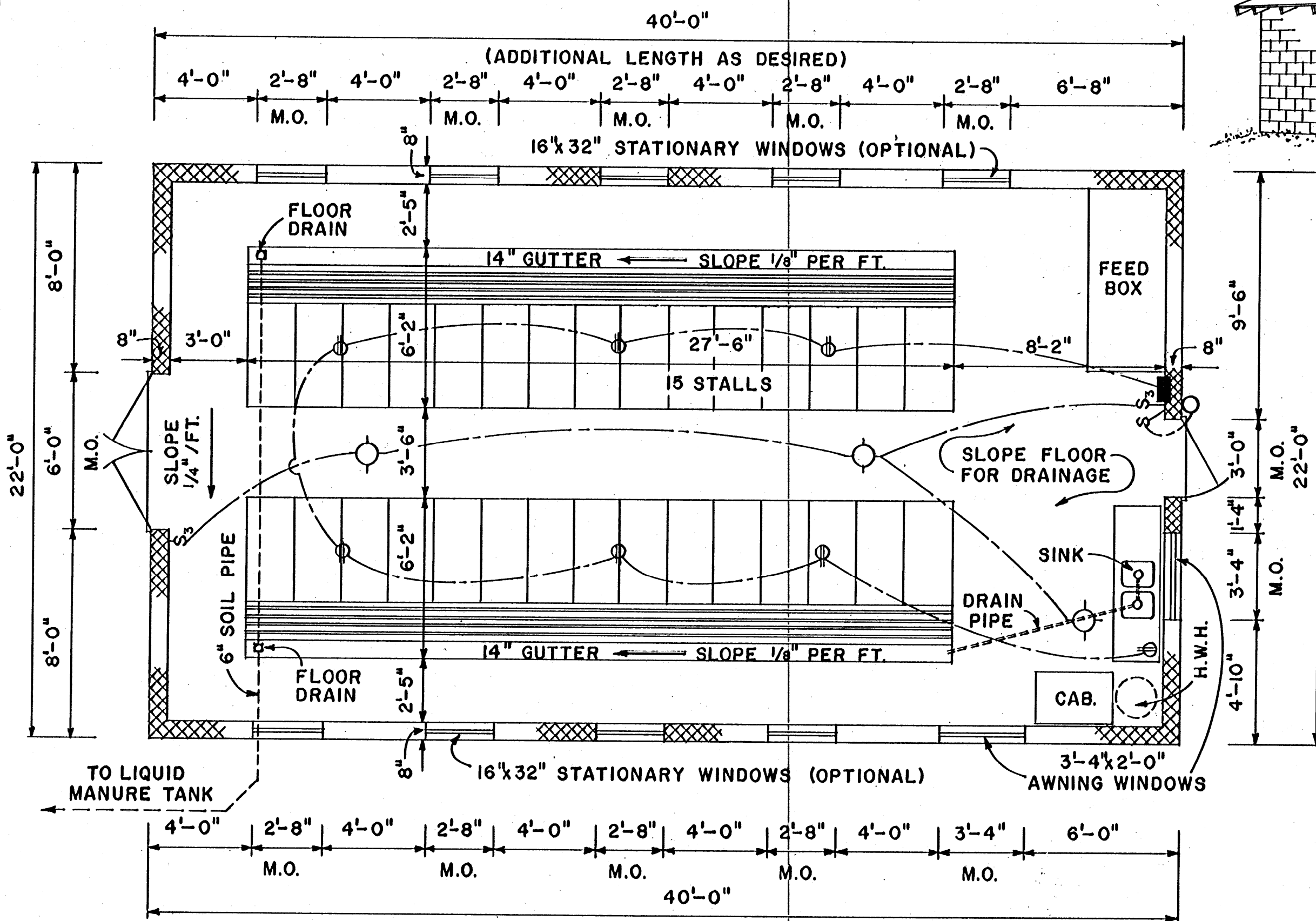
- - MAIN POWER ENTRANCE PANEL
- ⌘ - SINGLE-POLE TOGGLE SWITCH
- ⌘<sub>3</sub> - 3-WAY TOGGLE SWITCH
- ⊕ - TWIN-CONVENIENCE OUTLET WITH HINGED PROTECTIVE COVER
- ⊙ - CEILING MOUNTED FIXTURE, 100 TO 150 WATT LAMP
- ⊙ - WALL BRACKET MOUNTED FLOODLIGHT (OPTIONAL)



PERSPECTIVE

**NOTES:**  
 CONSULT LOCAL HEALTH AND BUILDING CODE AUTHORITIES BEFORE STARTING CONSTRUCTION. THESE PLANS ARE FOR USE AS A GUIDE. IF A CONSTRUCTION CONTRACT IS TO BE MADE, WRITTEN SPECIFICATIONS ARE NEEDED. FOR RECOMMENDED VENTILATION AND HEATING SYSTEMS, SEE DATA ON SHEET 2. DETERMINE VENTILATION SYSTEM AND EQUIPMENT TO BE INSTALLED BEFORE STARTING CONSTRUCTION.

SCALE: 1/4" = 1'-0" UNLESS OTHERWISE SHOWN  
 12' 8' 0' 1' 2' 3' 4' 5'



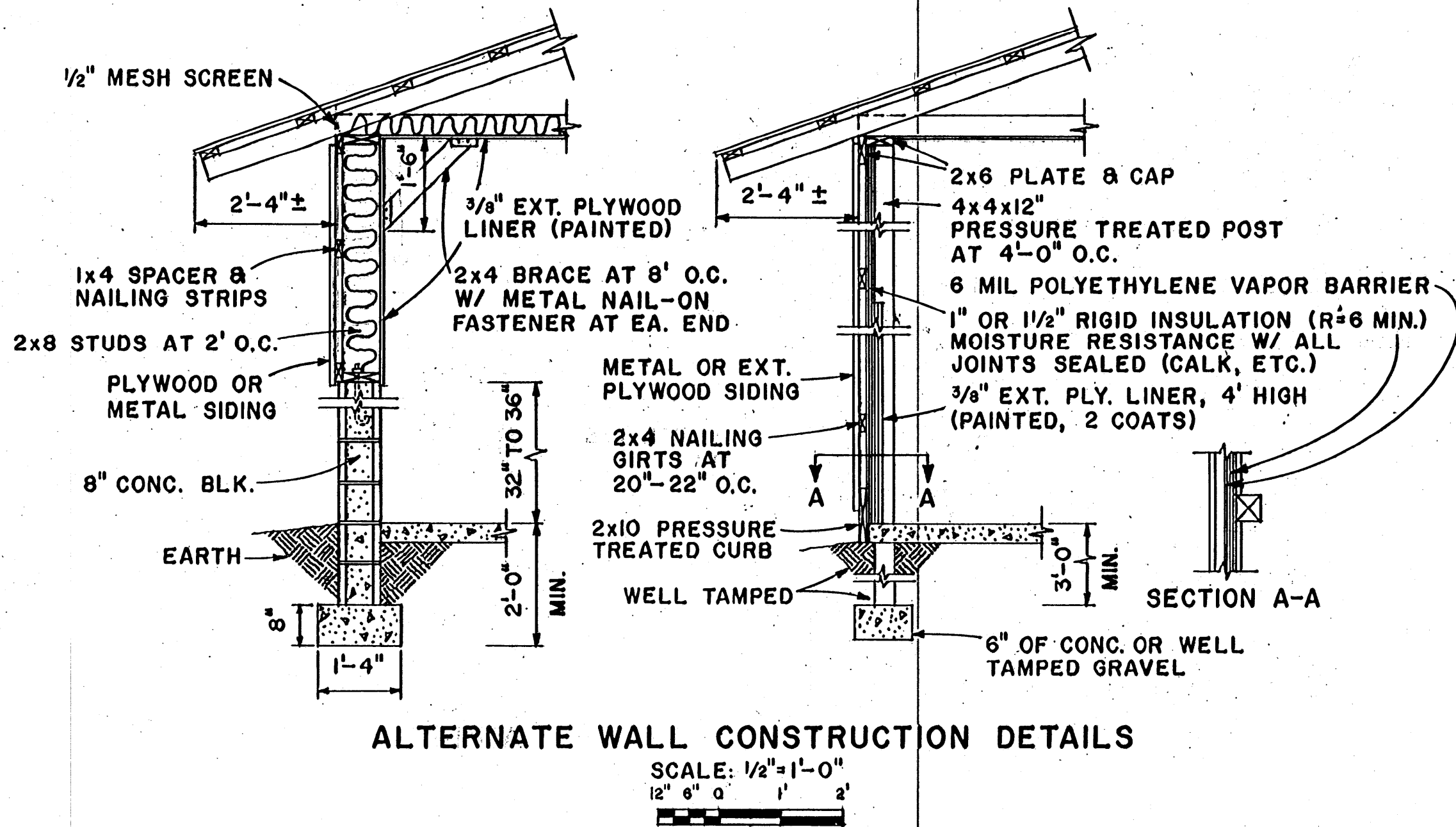
FLOOR PLAN

BASED ON: UNIV. OF KY. PLAN II.772-36

COOPERATIVE EXTENSION WORK IN  
 AGRICULTURE AND HOME ECONOMICS  
 STATE OF MISSISSIPPI  
 MISSISSIPPI STATE UNIVERSITY  
 AND  
 UNITED STATES DEPARTMENT OF AGRICULTURE COOPERATING

**CALF BARN**  
 ENVIRONMENTALLY CONTROLLED

KY.	'74	6186	SHEET 1 OF 3
-----	-----	------	--------------



ALTERNATE WALL CONSTRUCTION DETAILS

SCALE: 1/2" = 1'-0"  
12" 6" 0" 1' 2'

**FAN AND HEATER CAPACITY REQUIREMENTS**

Ventilation and heating requirements vary with the size of the building and the number of calves to be housed. Fan and heater capacities for three building sizes are shown below. Other sizes can be determined from data below:

Building Size	No. Calves	Winter Fans, CFM		Summer Fans Total CFM	Heater BTU/Hr. Output
		Min. Cont.	Normal		
22' x 40'	30	300	1000	6,000+	40,000
22' x 60'	50+	500	1500	10,500+	60,000
38' x 60'	100+	1000	3000	19,000+	120,000

Sizes based on the following design data:  
Winter ventilation: 10 CFM per calf minimum continuous and 30 CFM normal

Summer ventilation: 1 to 1 1/4 air change per minute total for the building

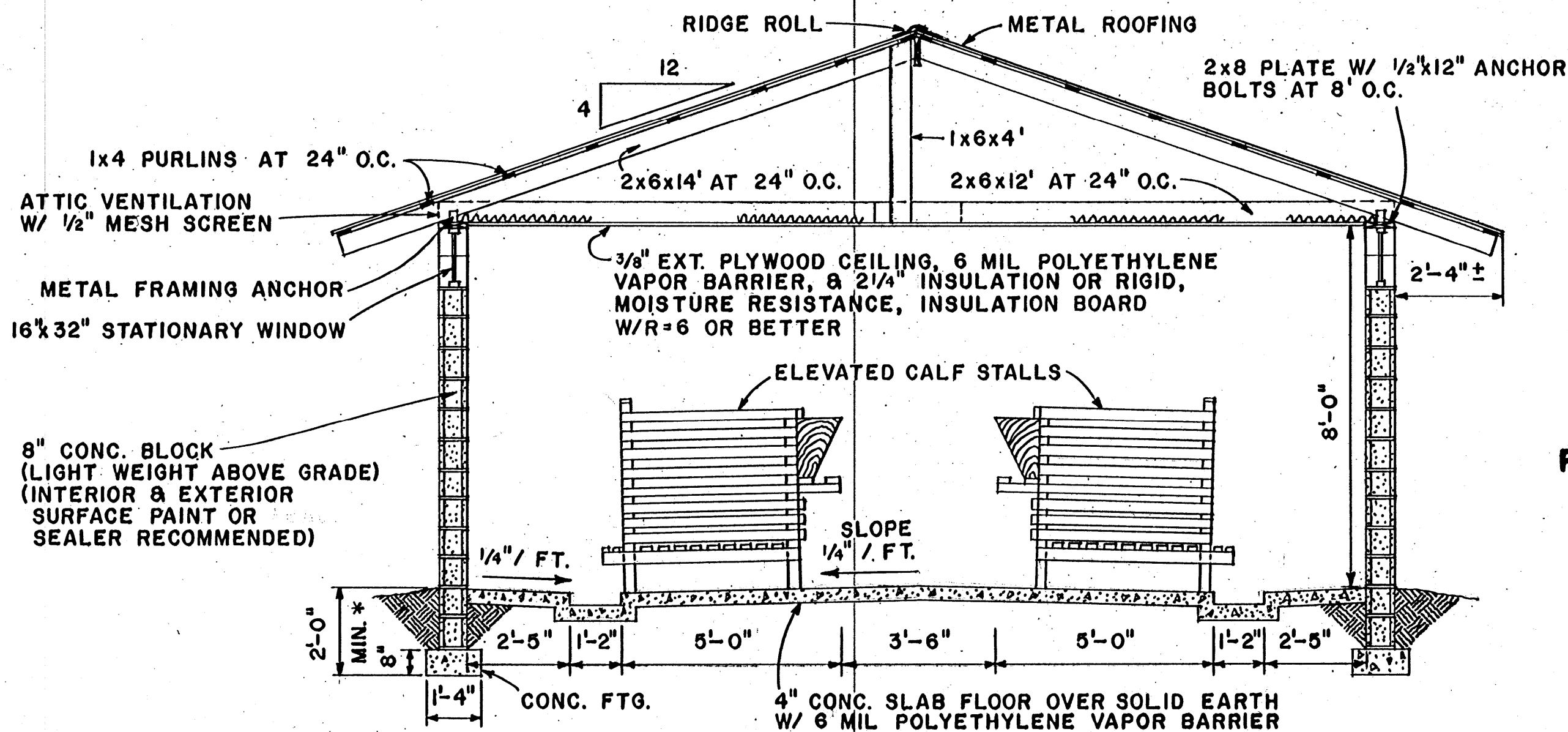
Supplemental heat: 50° temperature differential

**THERMOSTAT SETTINGS**

The thermostats should be located on a ventilation control board at eye level height near the center of the building.

Suggested Settings: Heat: Replacement Heifers: 45°-55°F  
Vealers: 60-65°F

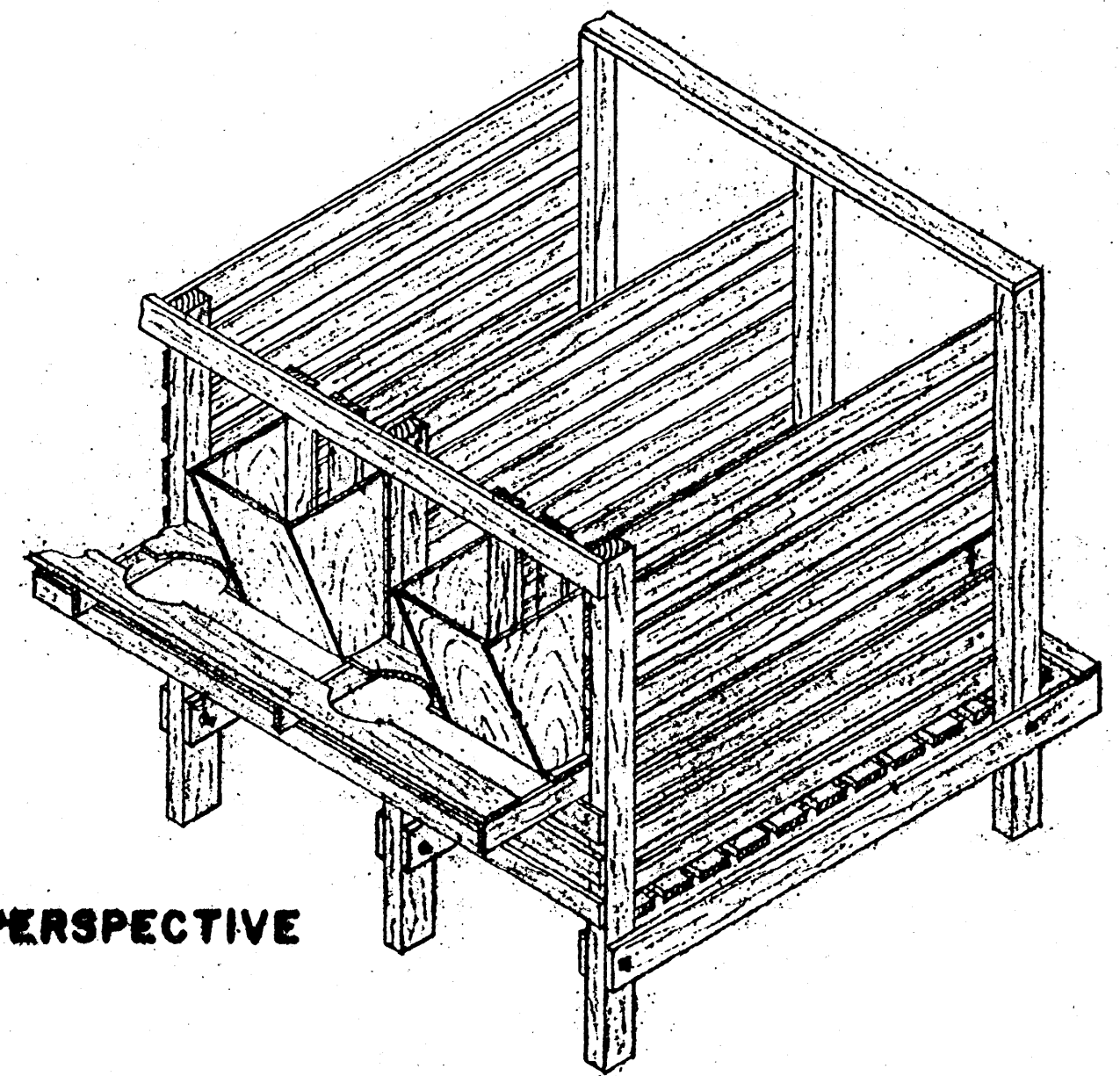
Summer Vent.: 70°-75°F



CROSS SECTION

SCALE: 3/8" = 1'-0"  
12" 6" 0" 1' 2' 3'

\* FOOTINGS TO EXTEND TO SOLID GROUND BELOW FROST LINE

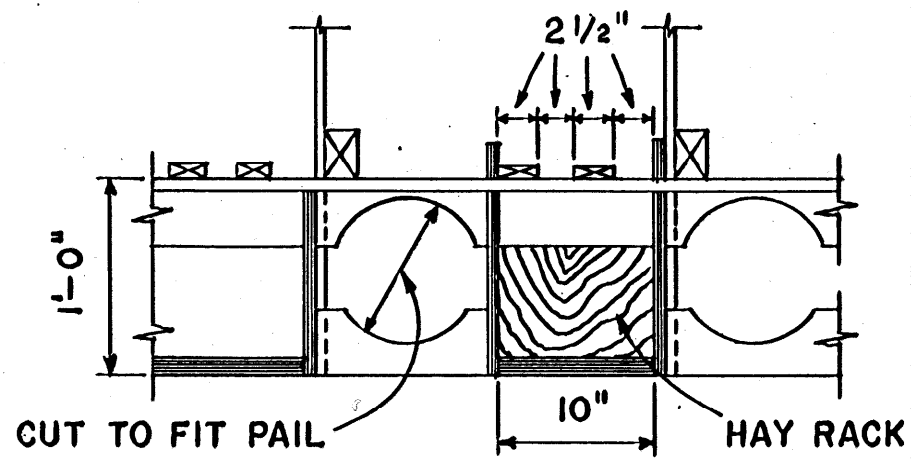


PERSPECTIVE

COOPERATIVE EXTENSION WORK IN  
AGRICULTURE AND HOME ECONOMICS  
STATE OF MISSISSIPPI  
MISSISSIPPI STATE UNIVERSITY.  
AND  
UNITED STATES DEPARTMENT OF AGRICULTURE COOPERATING

**CALF BARN**  
ENVIRONMENTALLY CONTROLLED

KY.	'74	6186	SHEET 2 OF 3
-----	-----	------	--------------

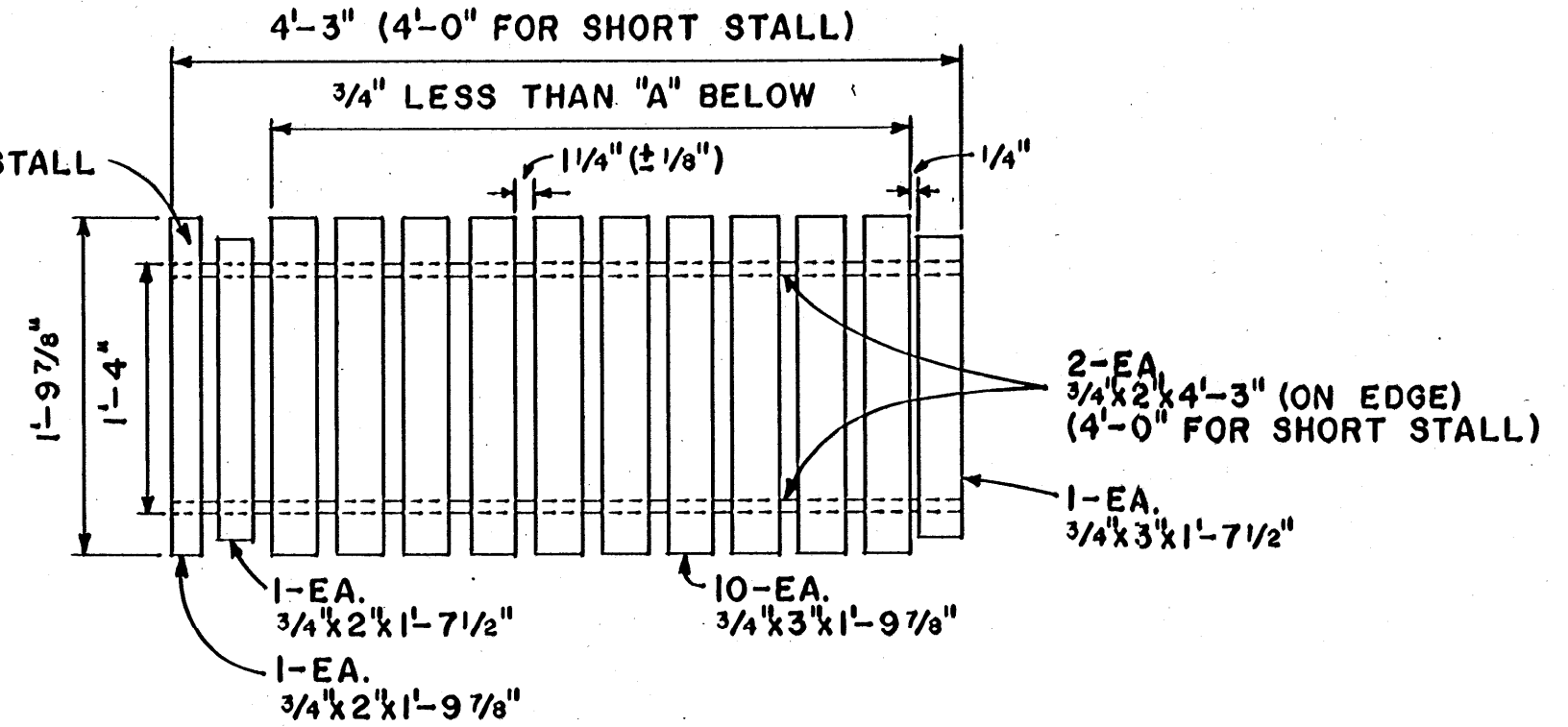


TOP VIEW

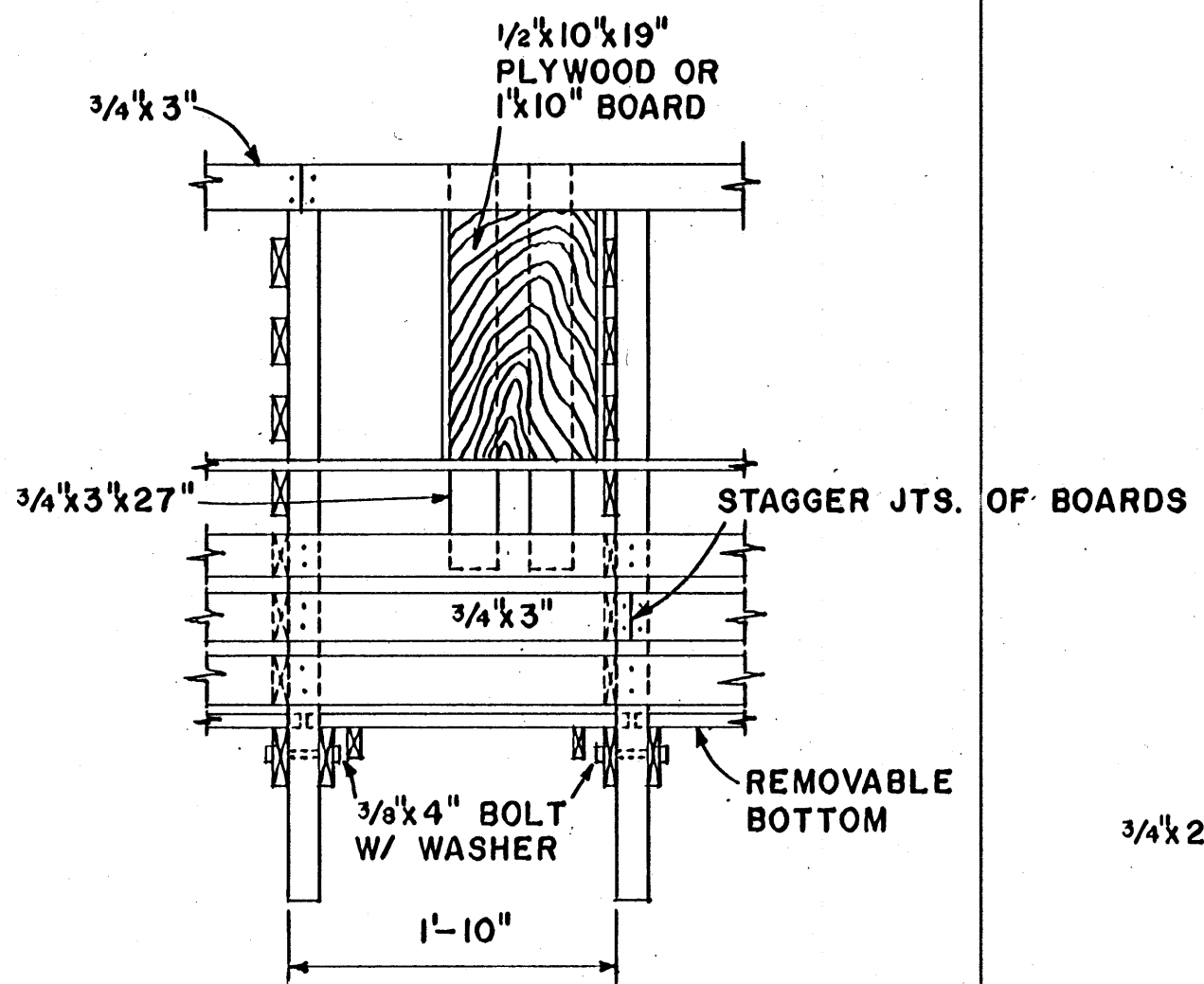
NOTE:  
HAY RACK MAY BE OMITTED FOR VEAL CALVES AND 2 PAIL POSITIONS USED. THEN, USE ONE VERTICAL SLAT AT FRONT OPENING.

NOTE:  
ALTERNATE FLOOR CAN BE SPECIALLY CONSTRUCTED:  
METAL ROD FLOOR (3/8" RODS, 1" O.C.) WELDED TO 1/4"x1" METAL STRAP ON EDGE OR 1" SQ. METAL TUBING.

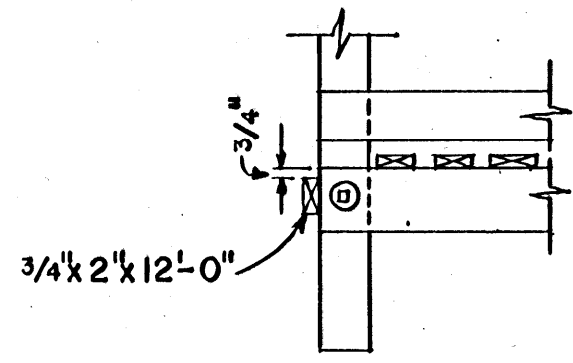
OMIT FOR SHORTER STALL



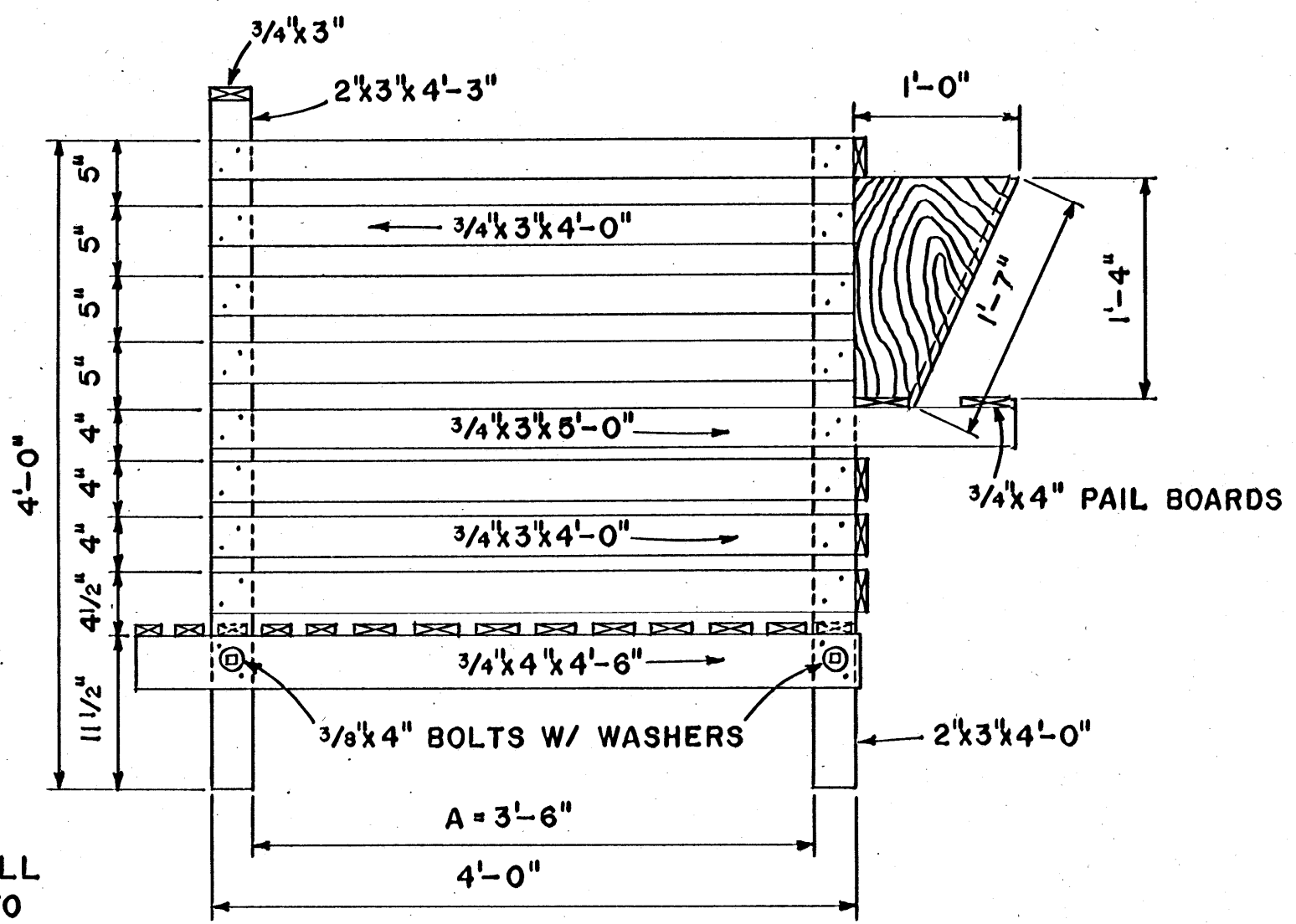
TOP VIEW-REMOVABLE BOTTOM



FRONT VIEW



ALTERNATE SHORT STALL  
OPTIONAL FOR CALVES TO 200# OR 8 WEEKS OLD.



SIDE VIEW

LIST OF MATERIALS  
(All Sound Quality Planed Hardwood Lumber Having Good Resistance to Decay.)

SIZE*	LENGTH	QUANTITY	SIZE*	LENGTH	QUANTITY	SIZE*	LENGTH	QUANTITY
3/4" x 2"	19 1/2"	1 per Stall	2" x 3"	4'-3"	1 per Stall	NAILS: 1 1/2"	(Common or Hardened)	1 per Stall
"	21 7/8"	1 per Stall	"	4'-0"	1 per Stall	"	1/10 lb. per Stall	1 per Stall
"	4'3"	2 per Stall	3/4" x 2"	12'	1 per 6 Stalls	2"	(Common or Hardened)	5 per 6 Stalls
3/4" x 3"	19 1/2"	1 per Stall	3/4" x 3"	12'	5 per 6 Stalls		1/3 lb. per Stall	2 per 6 Stalls
"	21 7/8"	10 per Stall	3/4" x 4"	12'	2 per 6 Stalls	BOLTS: 3/8" x 4"	Mach. 2 per Stall	
"	27"	2 per Stall	1/2" ply. or			WASHERS: 3/8" Flat	4 per Stall	
"	4'-0"	7 per Stall	3/4" Bd.	10" x 19"	1 per Stall			
"	5'-0"	1 per Stall	1/2" ply.	12" x 16"	2 per Stall			
3/4" x 4"	4'-6"***	2 per Stall		(sloped)				
2" x 3"	11 1/2"	1 per Stall						

\*All wood sizes "Actual"  
\*\*4'-6" for veal calves to 300 #,  
Only 4'-0" for calves to 200 #.

SCALE: 1"=1'-0" UNLESS OTHERWISE NOTED  
12" 9" 6" 3" 0"

COOPERATIVE EXTENSION WORK IN AGRICULTURE AND HOME ECONOMICS  
STATE OF MISSISSIPPI  
MISSISSIPPI STATE UNIVERSITY  
UNITED STATES DEPARTMENT OF AGRICULTURE COOPERATING

**CALF BARN**  
ENVIRONMENTALLY CONTROLLED

KY. '74 6186 SHEET 3 OF 3