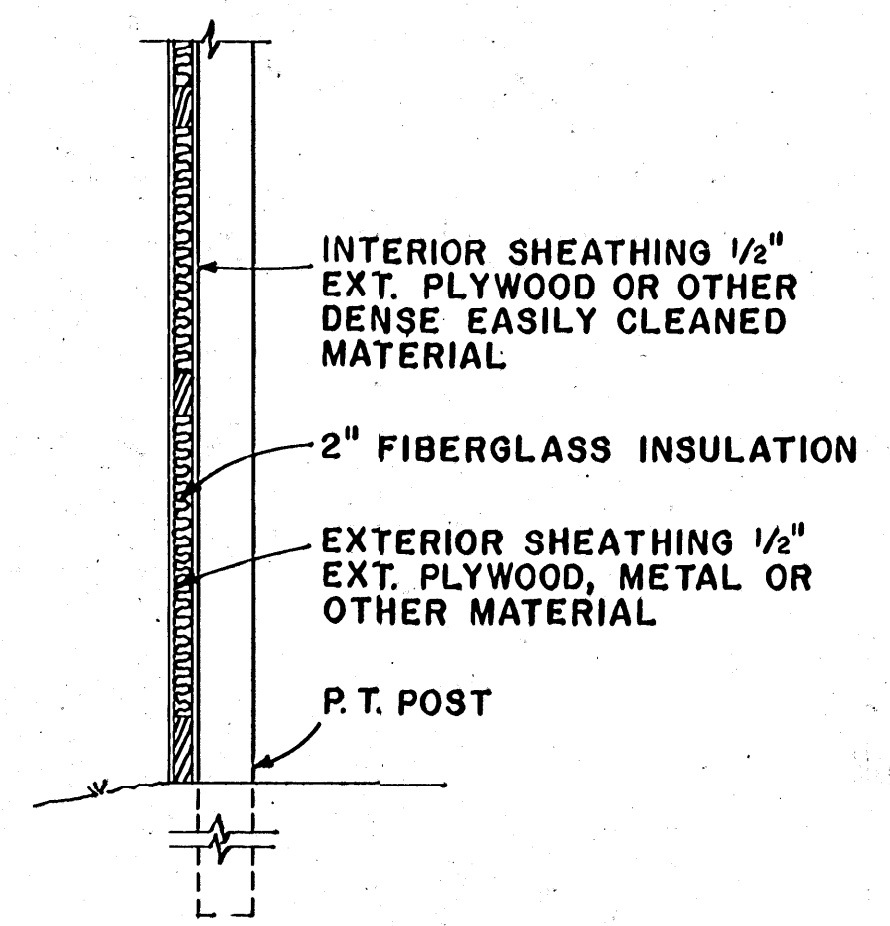


NOTE:  
 BUILD ROOF FRAME IN TWO PANELS  
 NAIL EACH PANEL TO PRESSURE  
 TREATED (P.T.) POSTS, THEN ATTACH  
 THE TWO OUTSIDE PURLINS.

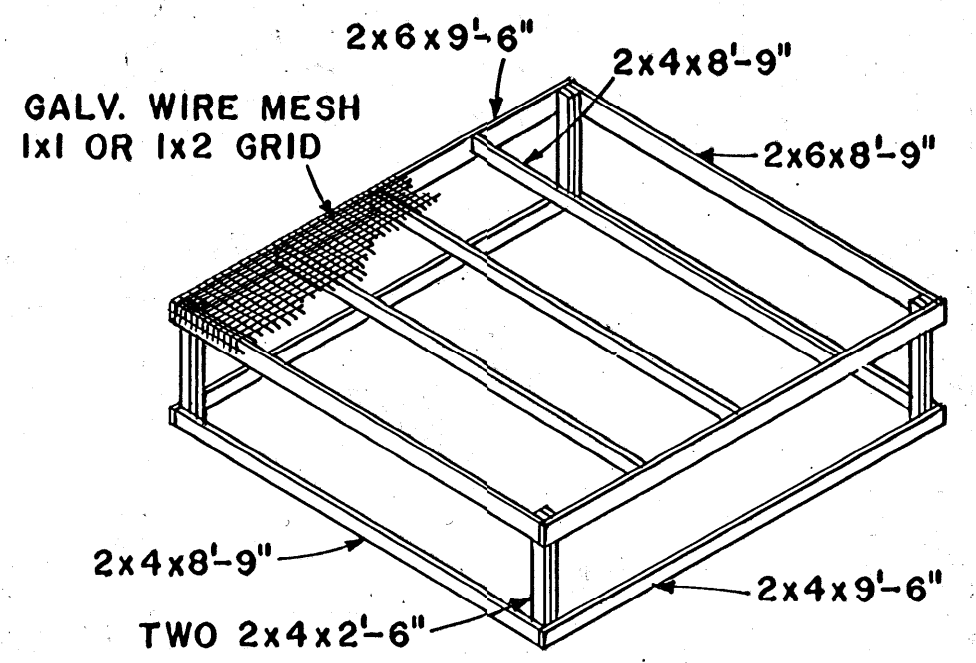
FRAME PICTORIAL

NOTES:  
 TOTAL OUTSIDE DIMENSIONS AFTER  
 CONSTRUCTION APPROXIMATELY 12'x16'.  
 FLOOR MAY BE DIRT OR CONCRETE.  
 CONSULT LOCAL HEALTH AND BUILDING  
 CODE AUTHORITIES BEFORE STARTING  
 CONSTRUCTION.



TYPICAL WALL SECTION

SCALE: 3/4" = 1'-0"  
 12' 9" 8" 3" 0" 1'



NOTE:  
 ENCLOSE BOTH ENDS AND ONE SIDE WITH  
 1/2" EXT. PLYWOOD. OPEN SIDE TO FACE  
 OUTSIDE CLEAN-OUT DOOR. MUST BE  
 BUILT INSIDE OF HOUSE.

ROOST & FEED PLATFORM DETAILS

SCALE: 1/4" = 1'-0"  
 12' 6" 0" 1' 2' 3' 4'

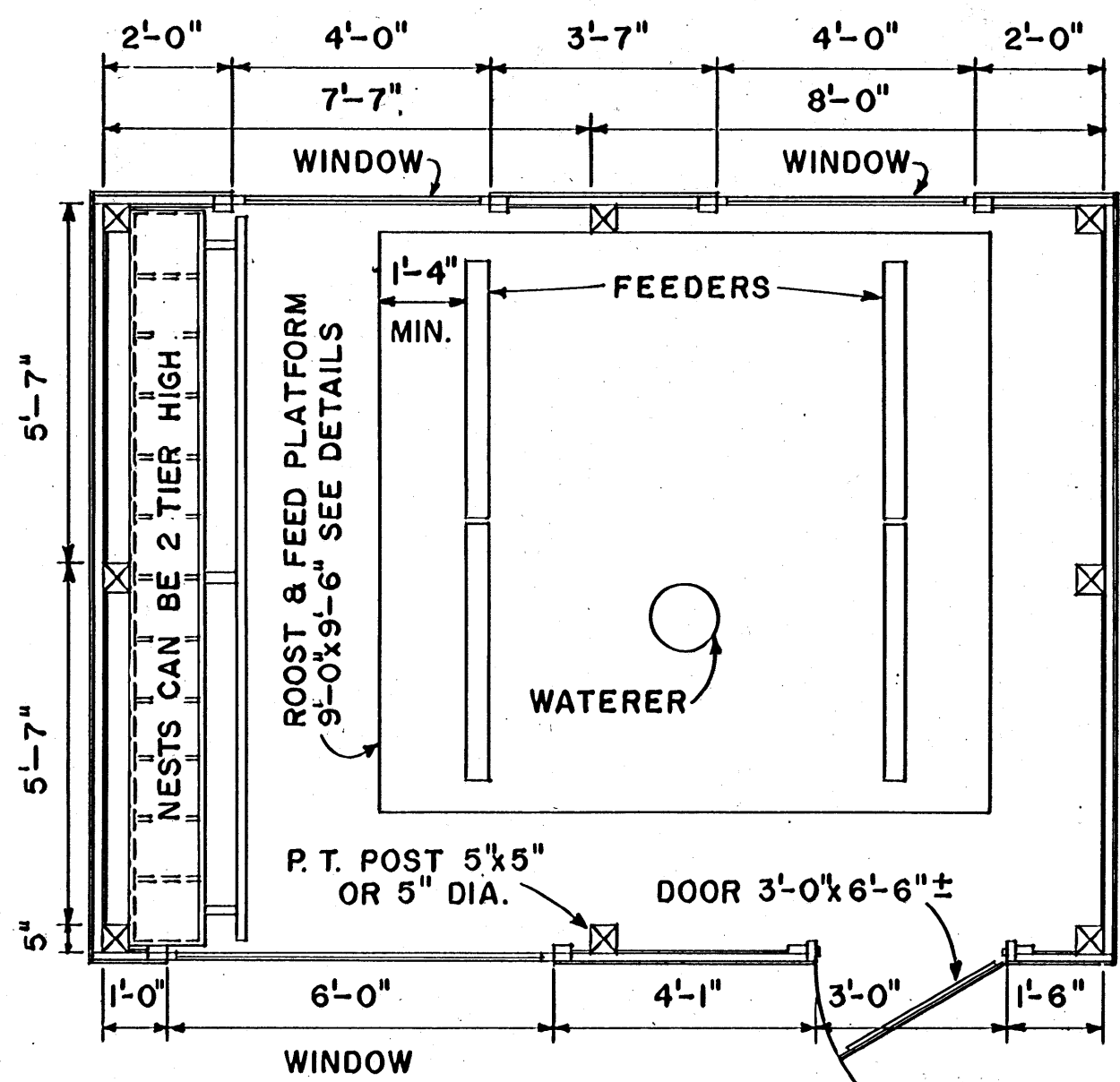
BASED ON: W. VA. UNIV.  
 PLAN NO. PO 146

SCALE: 3/8" = 1'-0" UNLESS  
 OTHERWISE NOTED

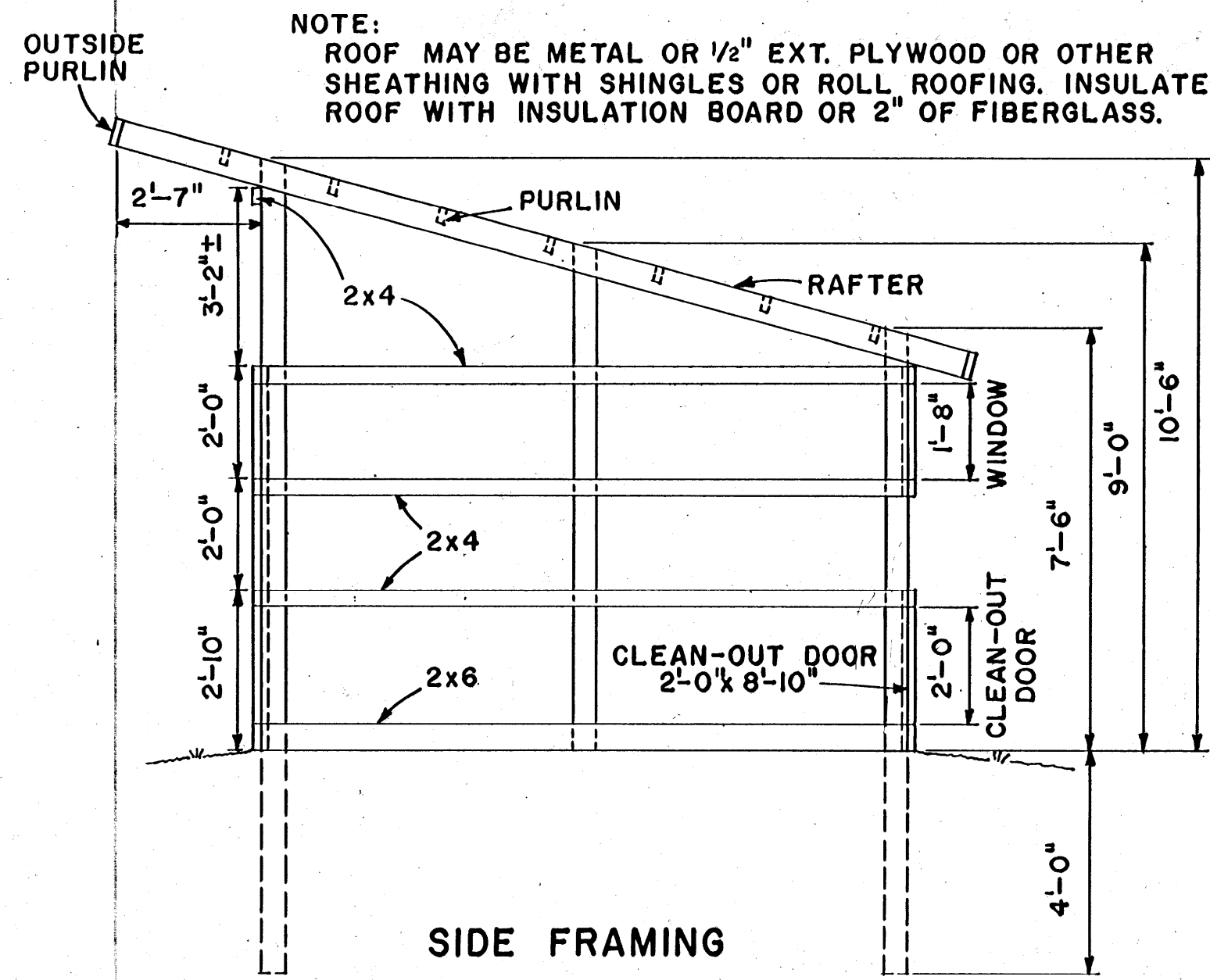
COOPERATIVE EXTENSION WORK IN  
 AGRICULTURE AND HOME ECONOMICS  
 STATE OF MISSISSIPPI  
 MISSISSIPPI STATE UNIVERSITY  
 AND  
 UNITED STATES DEPARTMENT OF AGRICULTURE COOPERATING

**POULTRY HOUSE**  
 50 TO 80 LAYERS

W. VA.	'74	6188	SHEET 1 OF 1
--------	-----	------	--------------



FLOOR PLAN



SIDE FRAMING

NOTE:  
 ROOF MAY BE METAL OR 1/2" EXT. PLYWOOD OR OTHER  
 SHEATHING WITH SHINGLES OR ROLL ROOFING. INSULATE  
 ROOF WITH INSULATION BOARD OR 2" OF FIBERGLASS.