

NOTE:  
EQUIPMENT LOCATION IS THE SAME ON BOTH SIDES OF HOUSE &, BOTH FRAMING OPTIONS. LINE OF 75 W LIGHTS, 20'-0" O.C. EACH SERVICE AISLE.

**VENTILATION SEQUENCE**

STEP 1. FAN TUBES RUN CONTINUOUSLY  
 STEP 2. LOUVERS BEHIND 2 FAN TUBE UNITS OPEN, EACH END. TWO EXHAUST LOUVERS OPEN. 22,000 CFM. MINIMUM VENTILATION  
 STEP 3. LAST TWO LOUVERS TO FAN TUBE UNIT OPEN, EACH END. LAST TWO EXHAUST LOUVERS OPEN 44,000 CFM.  
 STEP 4. TWO LOW INLET LOUVERS OPEN. TWO EXHAUST FANS START 55,000 CFM.  
 STEP 5. LAST TWO INLET LOUVERS OPEN. LAST TWO EXHAUST FANS START. 66,000 CFM MAXIMUM VENTILATION.

NOTE:  
PROVIDE THERMOSTATIC CONTROL FOR LOUVERS & EXH. FANS. PROVIDE MANUAL CONTROL FOR MANURE DRYING FANS. PUT ALTERNATE MANURE DRYING FANS ON SEPARATE CIRCUITS. PUT 4-4x4 MOTORIZED LOUVERS IN EACH END WALL BELOW FLOOR LEVEL. ONE END INLET, ONE END EXHAUST. PUT 4-ACME DC 30F FANS WITH WP 3333 MT LOUVER IN EXHAUST END.

NOTE:  
SEE SHEET 3 FOR FOUNDATION DETAILS OR POST & BEAM FRAMING. CONSULT LOCAL HEALTH AND BUILDING CODE AUTHORITIES BEFORE STARTING CONSTRUCTION.

**POLE FRAME-CANTILEVER AISLE**

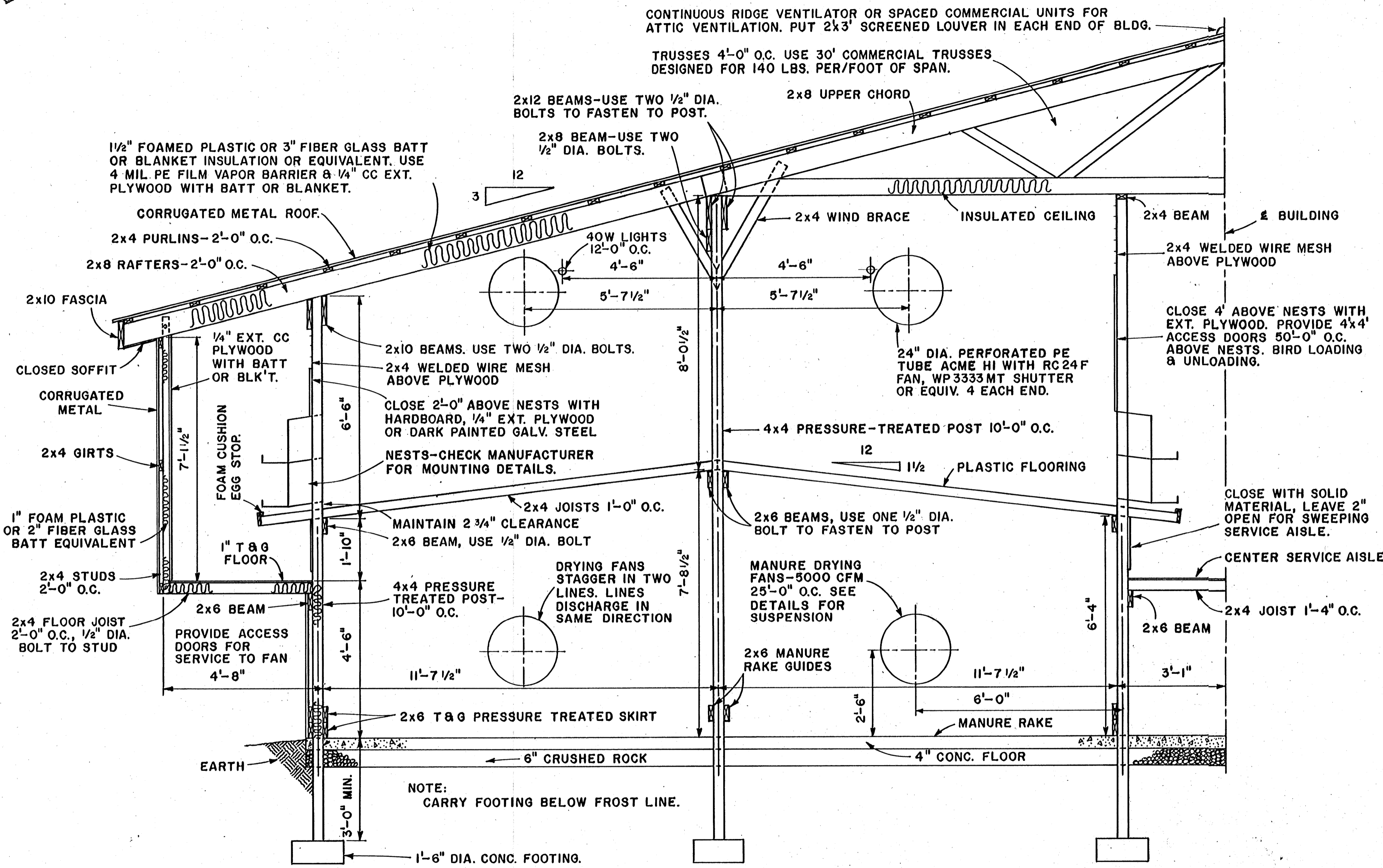
PLAN LAYOUT  
 SCALE: 3/16" = 1'-0"  
 12' 0" 1' 2' 3' 4' 5' 6' 7'

CAPACITY: BROILERS 10,000 & BREEDERS 1,100  
 BASED ON: PENN. STATE UNIV. PLAN NO. 727-365

COOPERATIVE EXTENSION WORK IN  
 AGRICULTURE AND HOME ECONOMICS  
 STATE OF MISSISSIPPI  
 MISSISSIPPI STATE UNIVERSITY  
 AND  
 UNITED STATES DEPARTMENT OF AGRICULTURE COOPERATING

**BROILER BREEDER HOUSE  
 DOUBLE "A"**

PA.	'75	6193	SHEET 1 OF 4
-----	-----	------	--------------



**POLE FRAME—CANTILEVER AISLE**

HALF CROSS SECTION

SCALE: 1/2" = 1'-0"



COOPERATIVE EXTENSION WORK IN  
 AGRICULTURE AND HOME ECONOMICS  
 STATE OF MISSISSIPPI  
 MISSISSIPPI STATE UNIVERSITY.  
 AND  
 UNITED STATES DEPARTMENT OF AGRICULTURE COOPERATING

**BROILER BREEDER HOUSE  
 DOUBLE "A"**

PA.	'75	<b>6193</b>	SHEET 2 OF 4
-----	-----	-------------	--------------

CONTINUOUS RIDGE VENT OR COMMERCIAL UNITS. PUT 2x3' LOUVER IN EACH GABLE END.

TRUSSES 4'-0" O.C. USE COMM. TRUSSES DESIGNED FOR UNIFORM LOAD OF 140 LBS. PER/FT. OF SPAN.

2x4 KNEE BRACES EACH POST

2x8x18' LOWER RAFTER 2'-0" O.C.

CORRUGATED ROOFING

2x4 PURLINS 2'-0" O.C.

2x10 FASCIA

CLOSED SOFFIT

1" FOAMED PLASTIC OR 2" FIBER GLASS BATT, BLANKET OR EQUIV. USE 1/4" EXT. CC PLYWOOD WITH FIBER GLASS.

2x4 GIRT

1" T.&G. FLOORING OR 1/2" EXT. CC PLYWOOD

PROVIDE ACCESS FOR SERVICE TO DRYING FANS

2x6 BEAM USE ONE 1/2" DIA. BOLT.

NESTS—CHECK MANUFACTURER FOR MOUNTING DETAILS.

MAINTAIN 2 3/4" CLEARANCE

2x6 BEAM—USE ONE 1/2" DIA. BOLT.

CLOSE WITH SOLID MATERIAL. LEAVE 2" OPEN FOR SWEEPING SERVICE AISLE.

2x4 JOIST 2'-0" O.C.

4x4 POSTS 12'-0" O.C.

4'-8"

2x6 PRESSURE TREATED

4" CONC. FLOOR

6" CRUSHED ROCK

12"x12"x12" CONC. FOOTING UNDER EACH POST

12"x12" CONC. FOOTING UNDER EACH POST.

INSULATION & CEILING

2x12 BEAM—USE TWO 1/2" DIA. BOLTS

2x10 BEAM—USE TWO 1/2" DIA. BOLTS

PLYWOOD OR HARDBOARD

4x6 POST 12'-0" O.C.

2x4 JOISTS 12" O.C.

12'-0" PLASTIC FLOORING.

2x6 BEAM USE ONE 1/2" DIA. BOLT.

2x6 BEAM USE ONE 1/2" DIA. BOLT.

MANURE DRYING FAN 25' DC., 5000 CFM

2x4 FLOOR JOIST 1'-4" O.C.

2x6 T & G TREATED WOOD

4x4 POSTS 12'-0" O.C.

3'-1"

2x6 MANURE RAKE GUIDE

12"x12"x12" CONC. FOOTING UNDER EACH POST.

POST & BEAM  
HALF CROSS SECTION

SCALE: 1/2" = 1'-0"  
12" 6" 0 1' 2' 3'

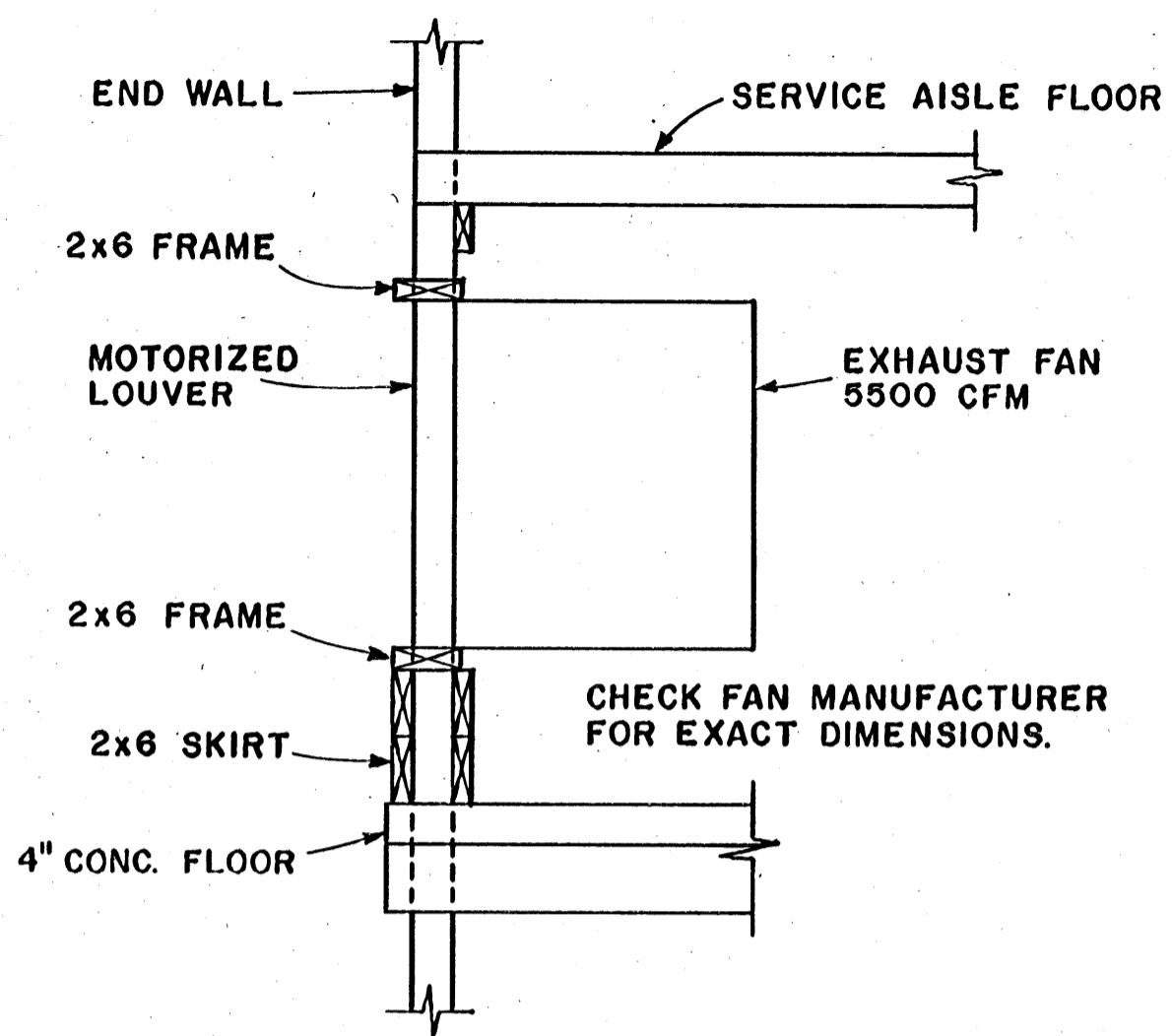
NOTE:  
PROVIDE ACCESS FOR SERVICE TO DRYING FAN THRU TUNNEL UNDER AISLE.

- NOTE:
1. SEE SHEET 1 FOR LIGHTING DETAILS.
  2. SEE SHEET 2 FOR DETAILS OF CLOSING OVER NESTS.
  3. SEE SHEET 4 FOR TUBE VENTILATION DETAILS.
  4. SEE SHEET 4 FOR MANURE DRYING FAN DETAILS.

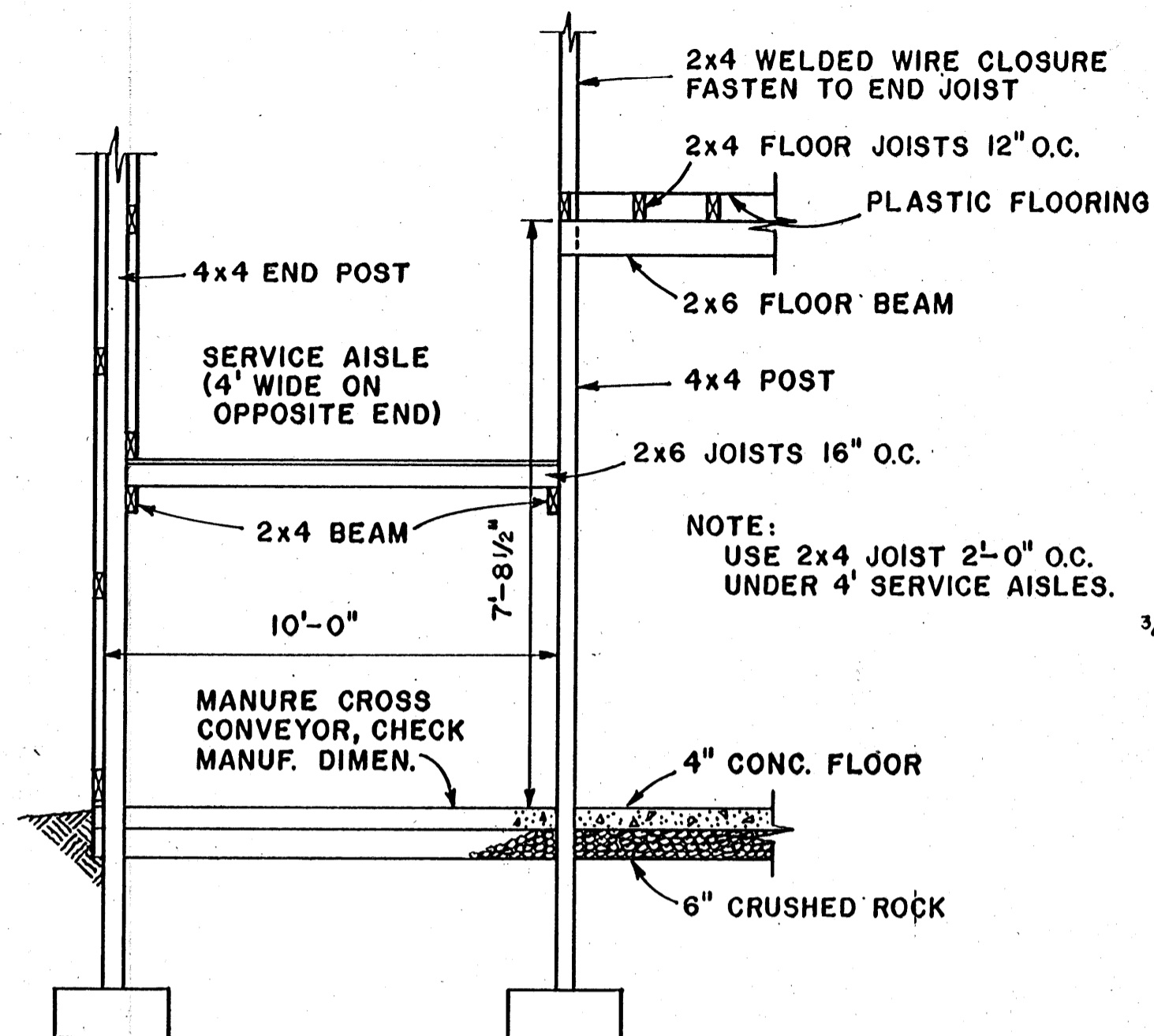
COOPERATIVE EXTENSION WORK IN  
AGRICULTURE AND HOME ECONOMICS  
STATE OF MISSISSIPPI  
MISSISSIPPI STATE UNIVERSITY  
AND  
UNITED STATES DEPARTMENT OF AGRICULTURE COOPERATING

**BROILER BREEDER HOUSE**  
DOUBLE "A"

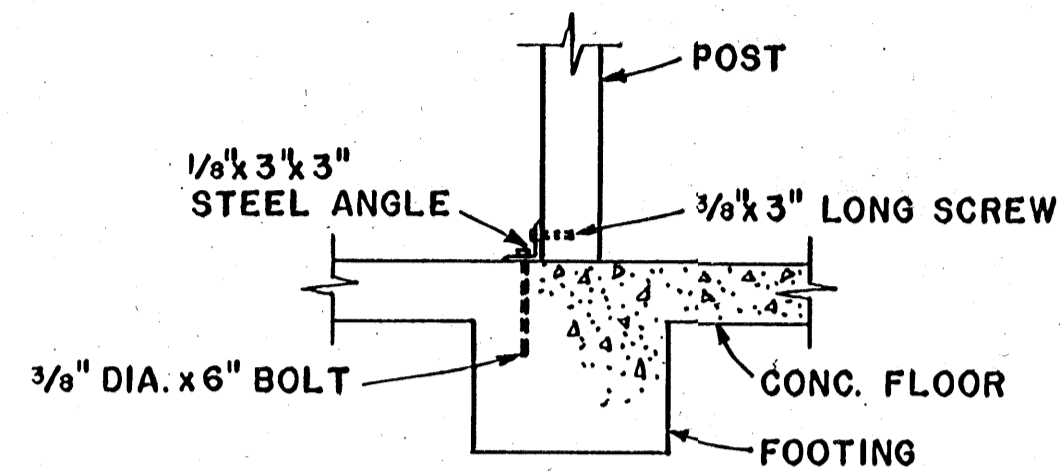
PA.	'75	6193	SHEET 3 OF 4
-----	-----	------	--------------



EXHAUST FAN FRAME

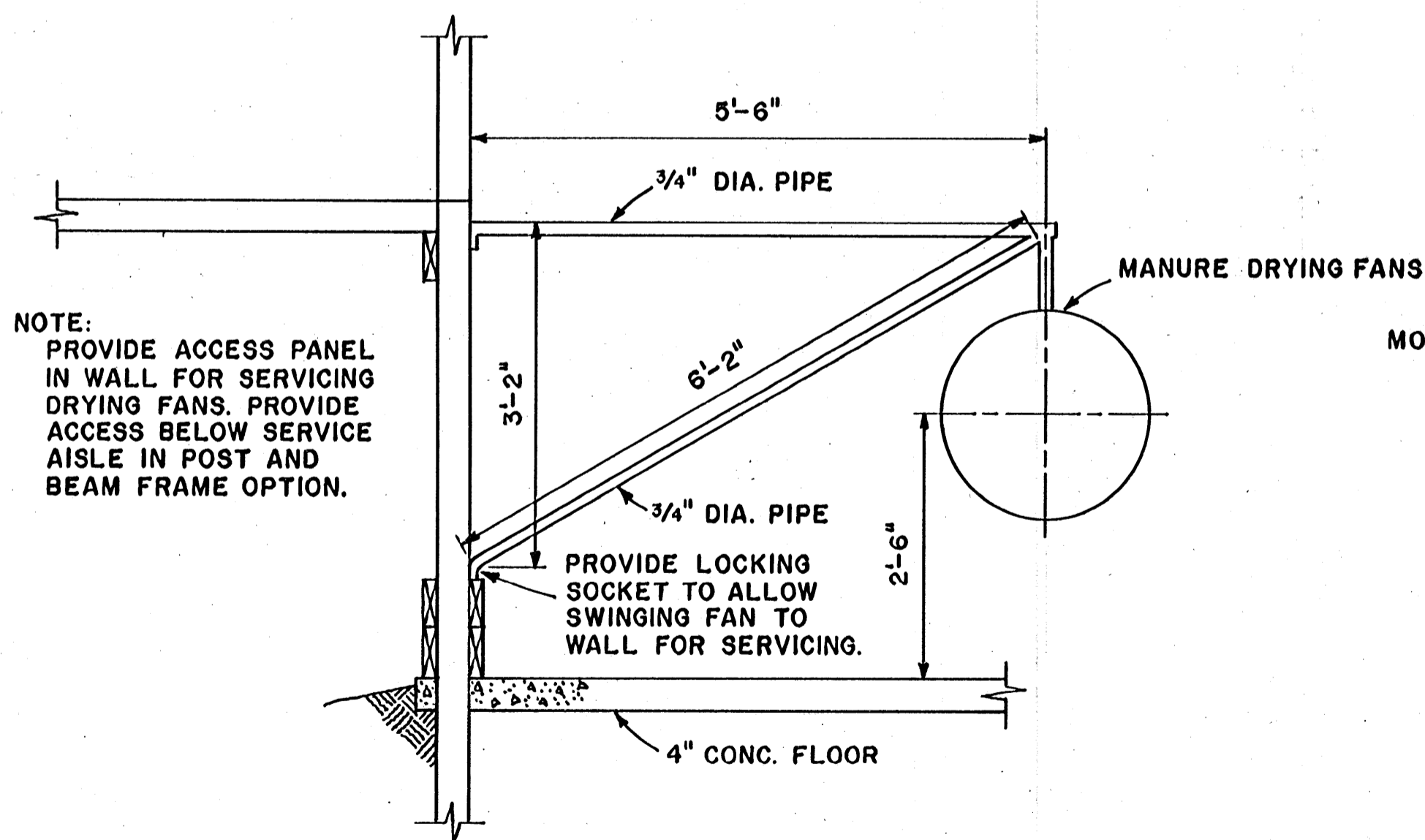


END SERVICE AISLE FRAMING  
NO SCALE

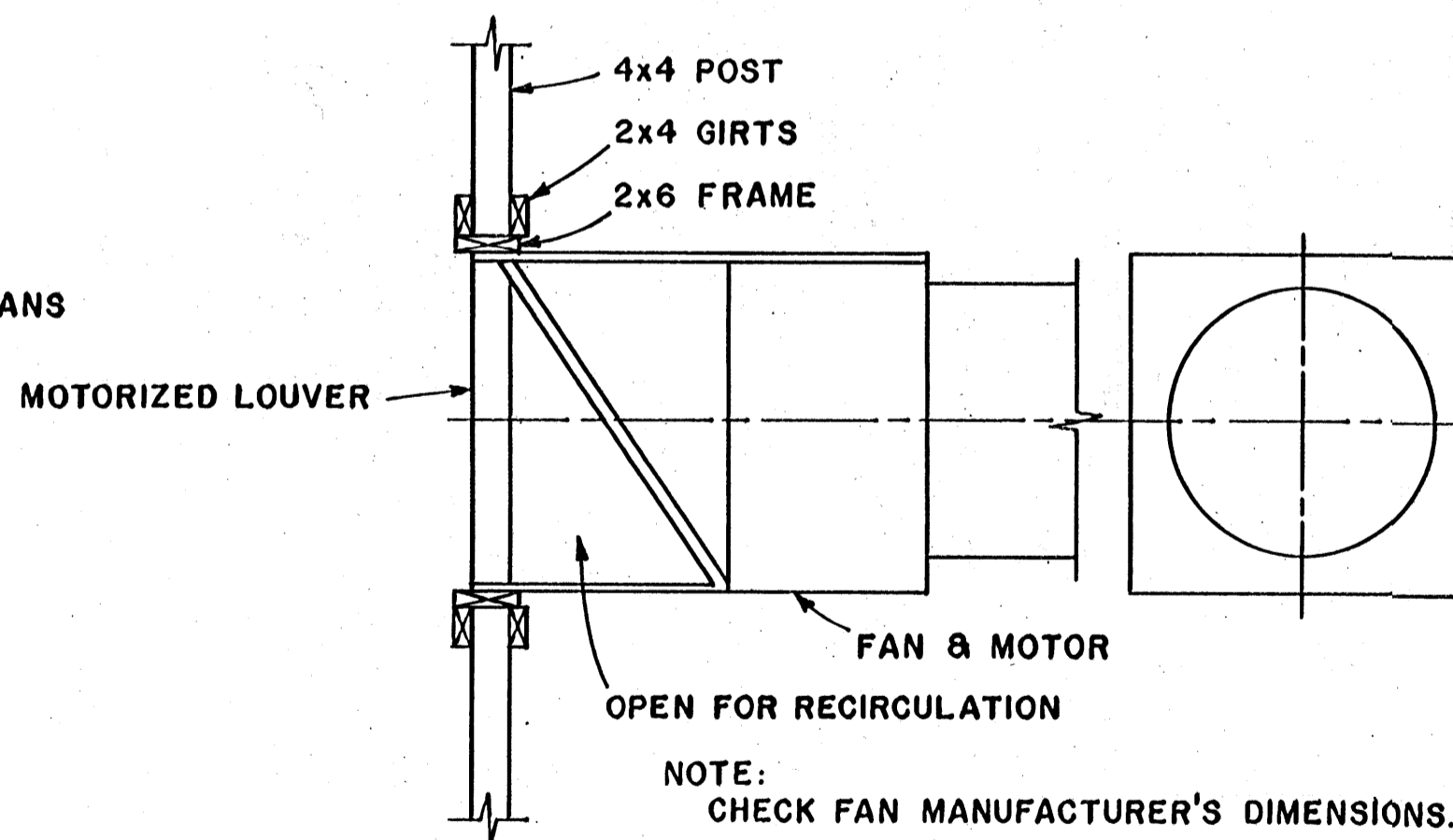


POST ANCHOR DETAIL

SCALE: 1"=1'-0"  
12" 6" 0 1'



MANURE DRYING FAN SUPPORT



FAN & TUBE FRAMING

COOPERATIVE EXTENSION WORK IN  
AGRICULTURE AND HOME ECONOMICS  
STATE OF MISSISSIPPI  
MISSISSIPPI STATE UNIVERSITY  
AND  
UNITED STATES DEPARTMENT OF AGRICULTURE COOPERATING

**BROILER BREEDER HOUSE**  
DOUBLE "A"

PA.	'75	6193	SHEET 4 OF 4
-----	-----	------	--------------

SCALE: 3/4"=1'-0" UNLESS OTHERWISE NOTED.