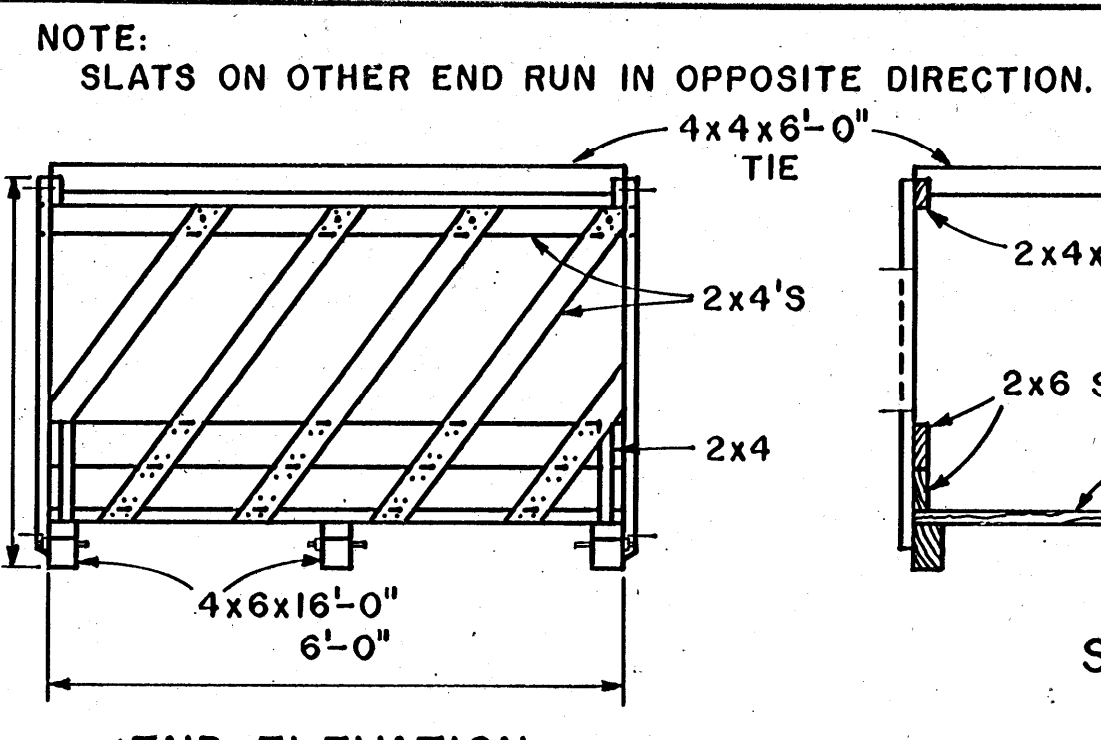
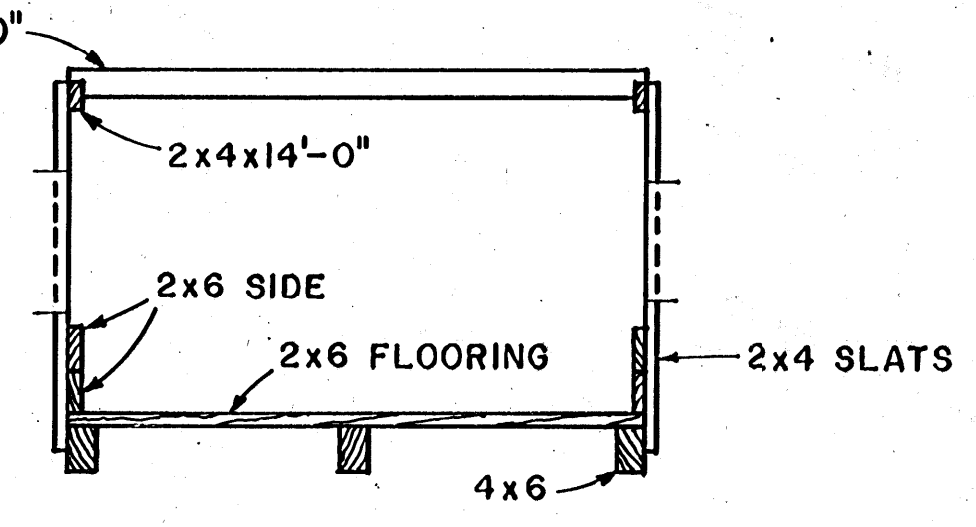


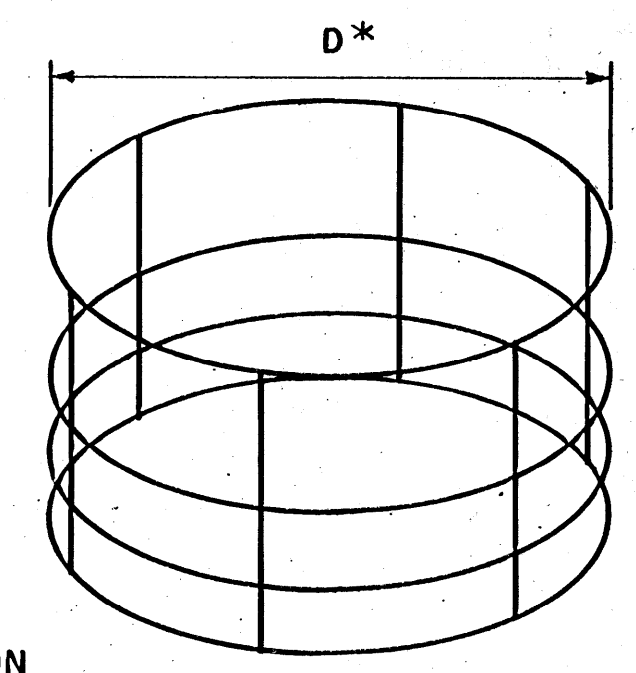
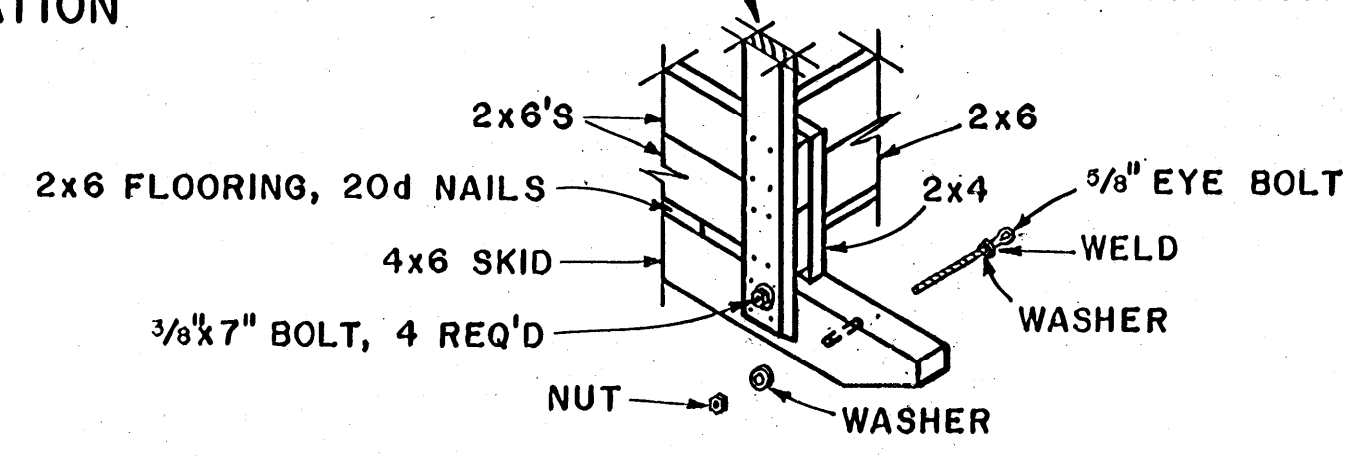
SIDE ELEVATION



END ELEVATION

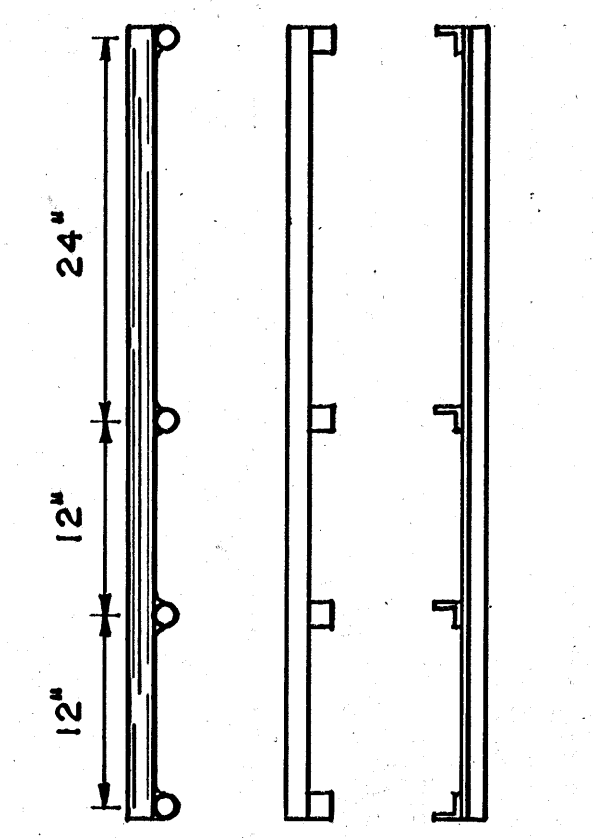


SECTION

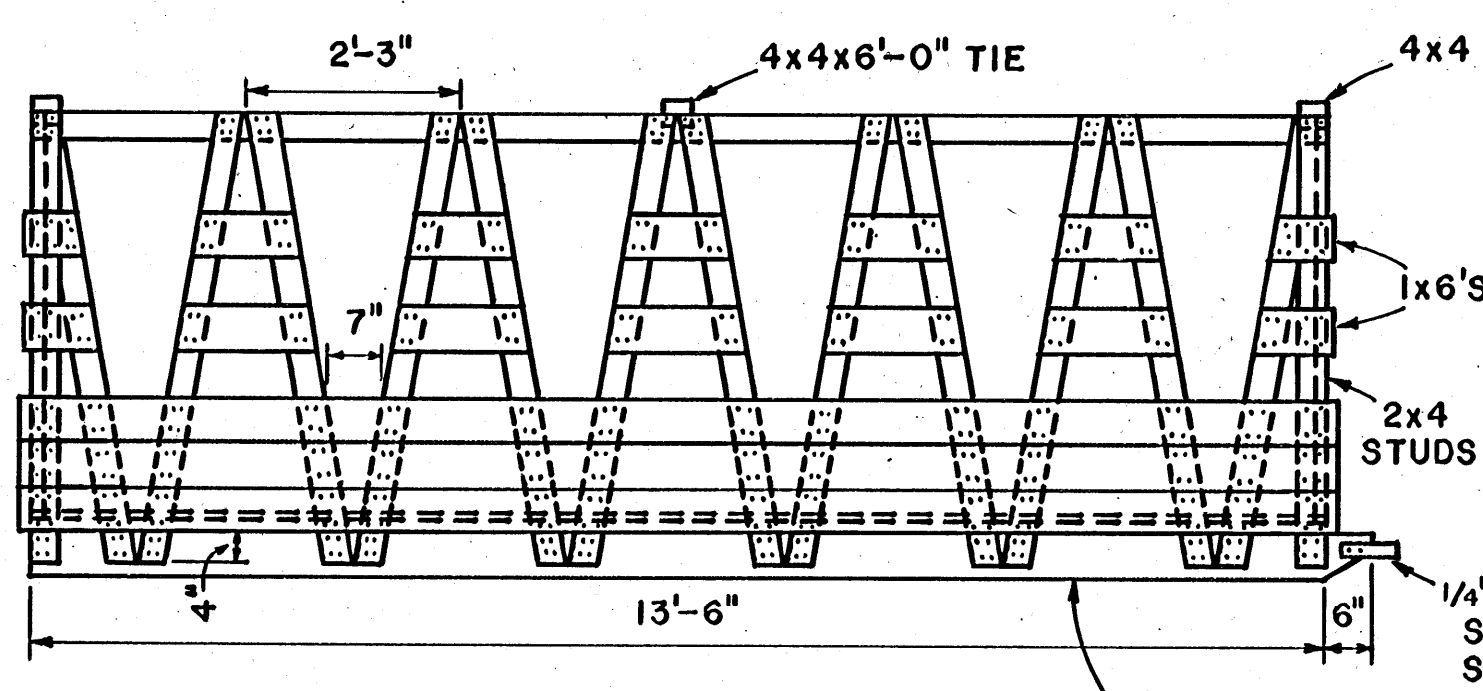


PERSPECTIVE

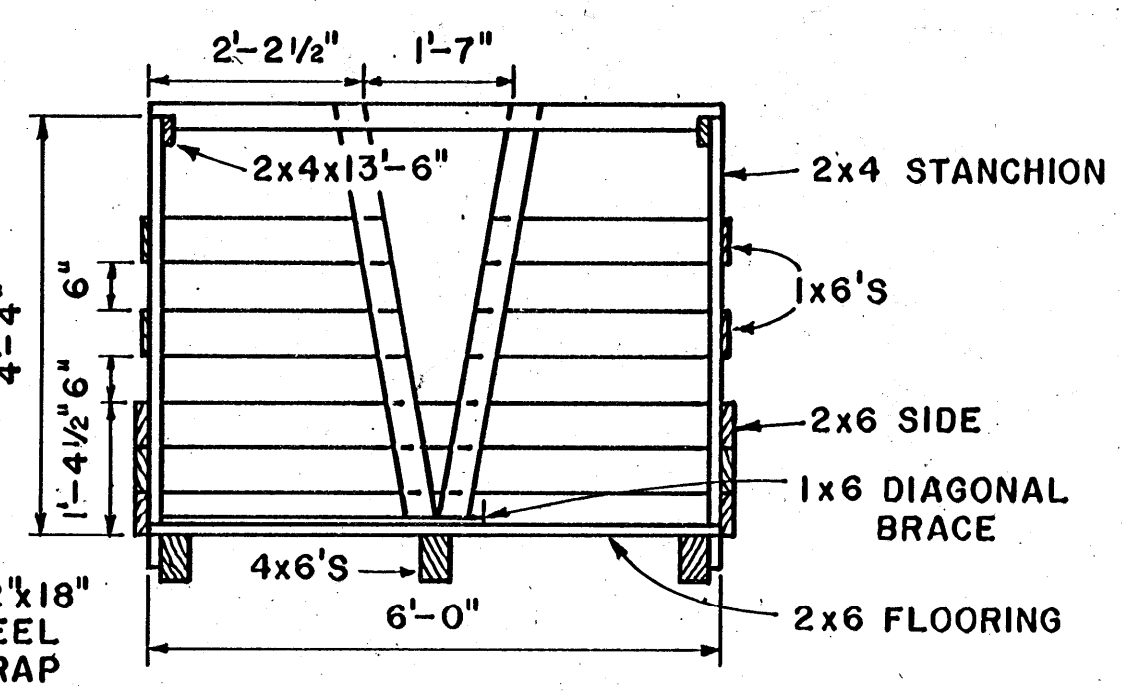
D* = HOOP DIAMETER
BALE DIAGONAL + 6"



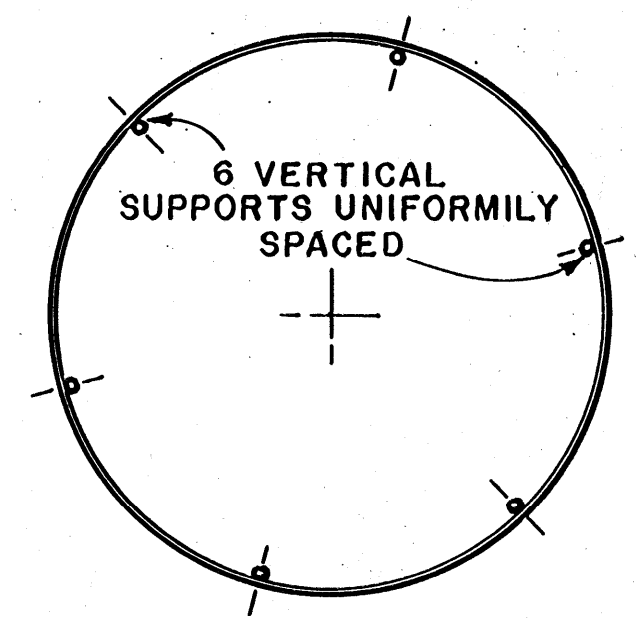
PIPE SQUARE TUBING ANGLE IRON
VERTICAL SUPPORTS
SCALE: 1" = 1'-0"
12" 9" 6" 3" 0"



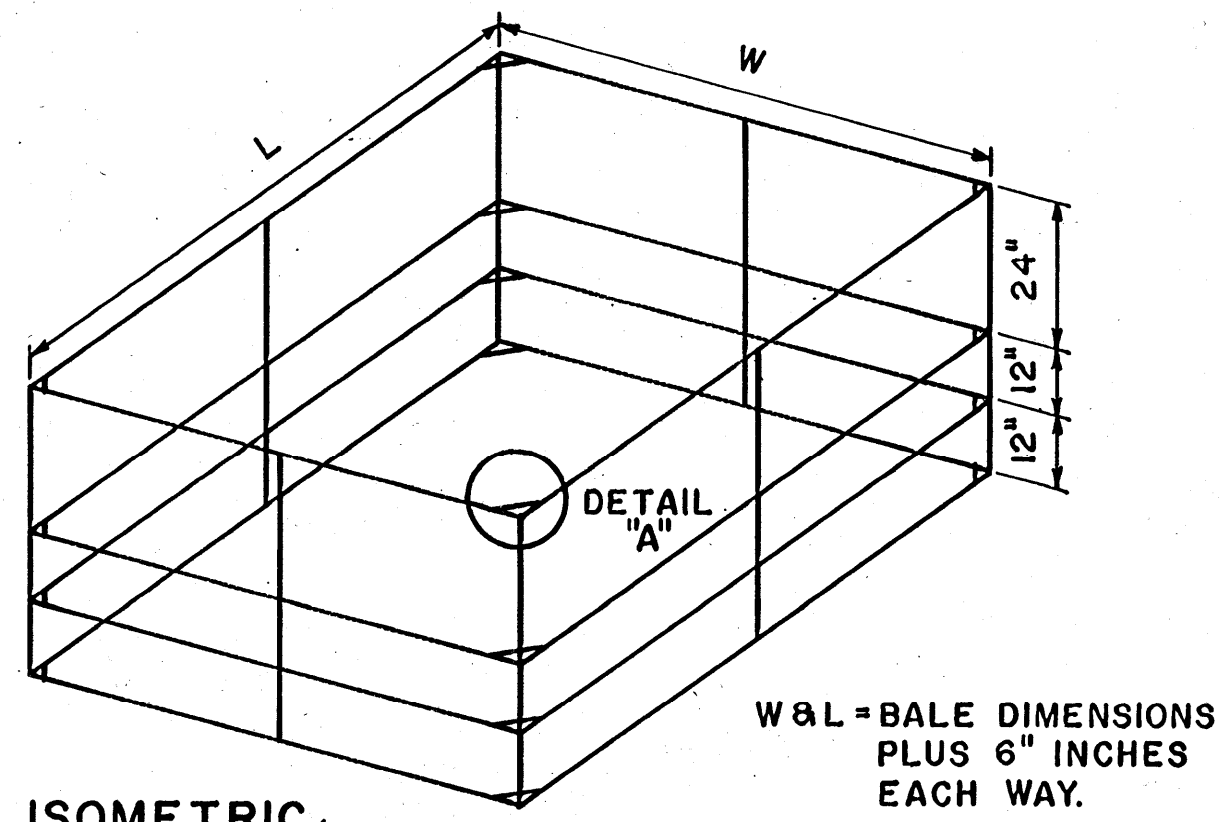
SIDE ELEVATION



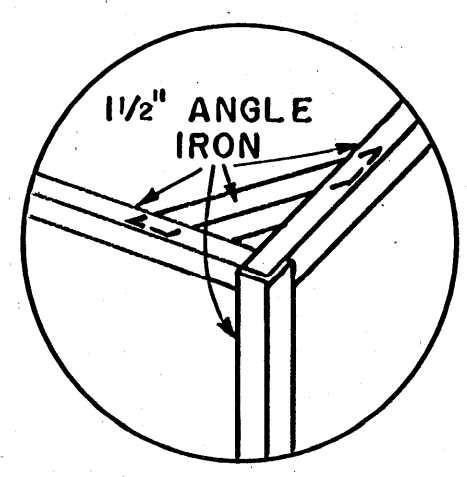
SECTION



PLAN
NO SCALE



ISOMETRIC
PIPE TUBING OR ANGLE



DETAIL "A"
NO SCALE

SCALE: 1/2" = 1'-0" UNLESS OTHERWISE NOTED

COOPERATIVE EXTENSION WORK IN
AGRICULTURE AND HOME ECONOMICS
STATE OF MISSISSIPPI
MISSISSIPPI STATE UNIVERSITY
AND
UNITED STATES DEPARTMENT OF AGRICULTURE COOPERATING

HAY FEEDERS FOR ROUND BALES		
ALA. TEX.	'75 6214	SHEET 1 OF 1

BASED ON: AUBURN UNIV. PLAN NO. G-314
TEXAS A&M UNIV. PLAN NO. 578