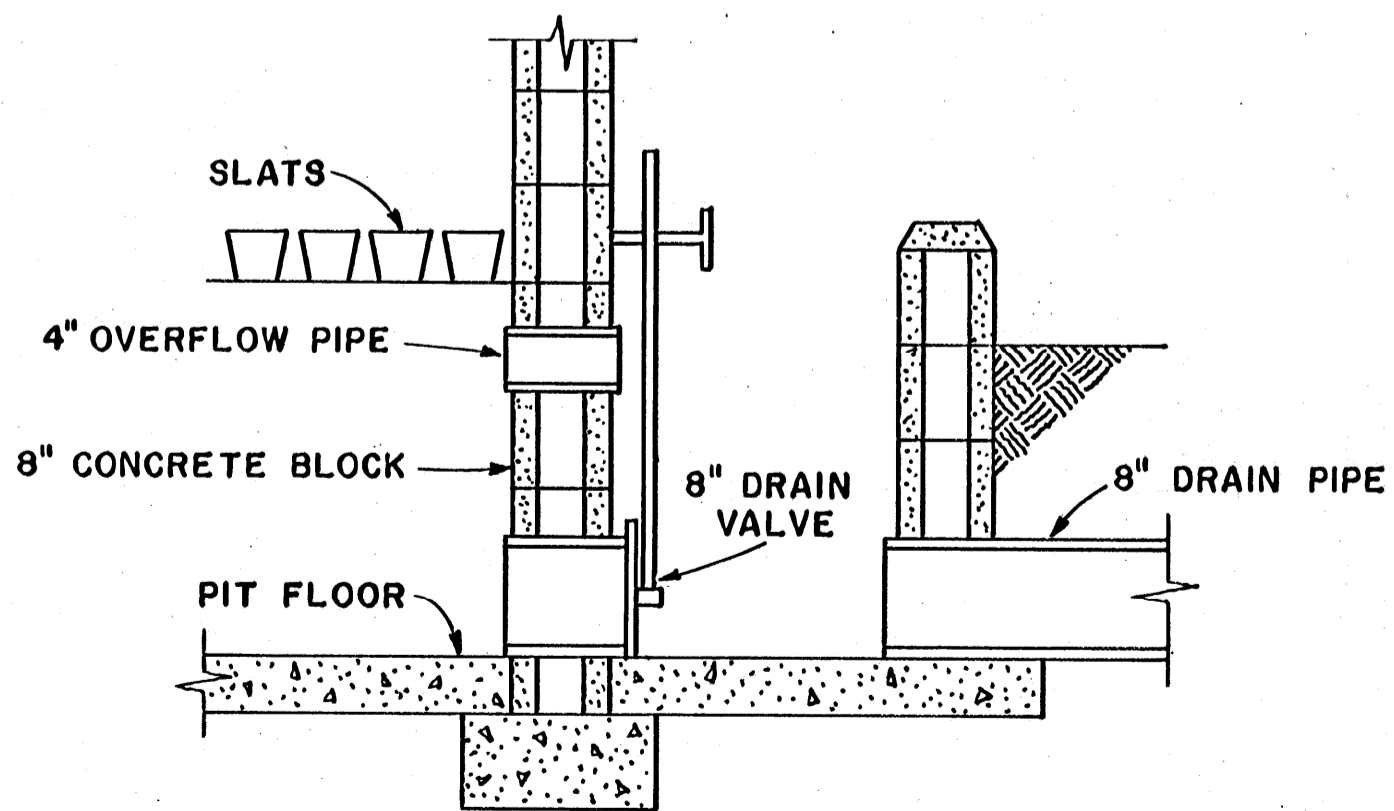
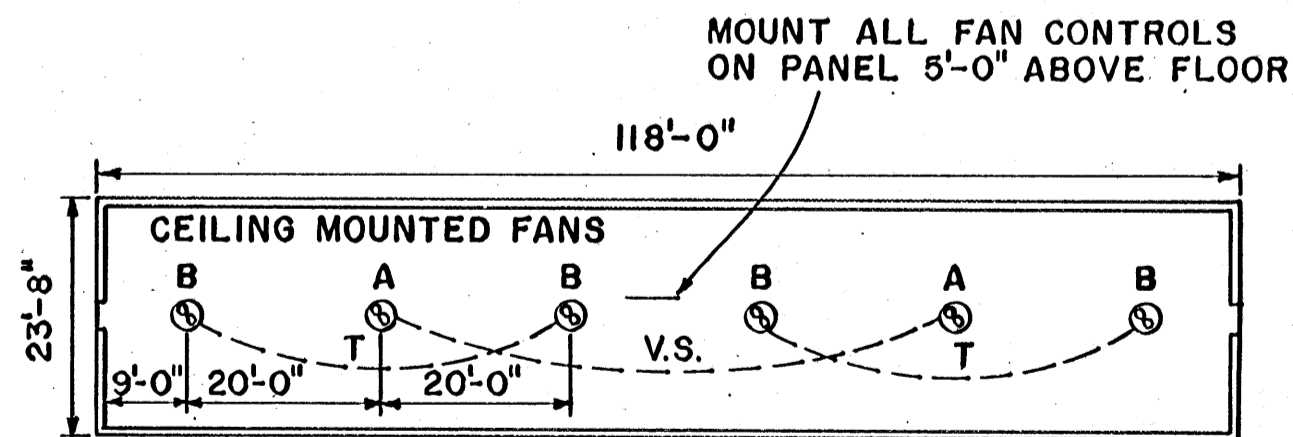


UNDER SLAT VENTILATION LAYOUT



PIT DRAIN DETAIL

SCALE: 3/4" = 1'-0"  
12" 6" 0" 1'



T = THERMOSTAT CONTROL  
V.S. = VARIABLE SPEED CONTROL  
FAN A - 4000 TO 5000 CFM VARIABLE SPEED AT 1/8" S.P.  
FAN B - 4000 TO 5000 CFM SINGLE SPEED AT 1/8" S.P.

VENTILATION LAYOUT  
NO SCALE

NOTE:  
CONSULT LOCAL HEALTH AND BUILDING CODE AUTHORITIES BEFORE STARTING CONSTRUCTION.

12" 1' 3' 5' 7'  
0 2' 4' 6' 8'

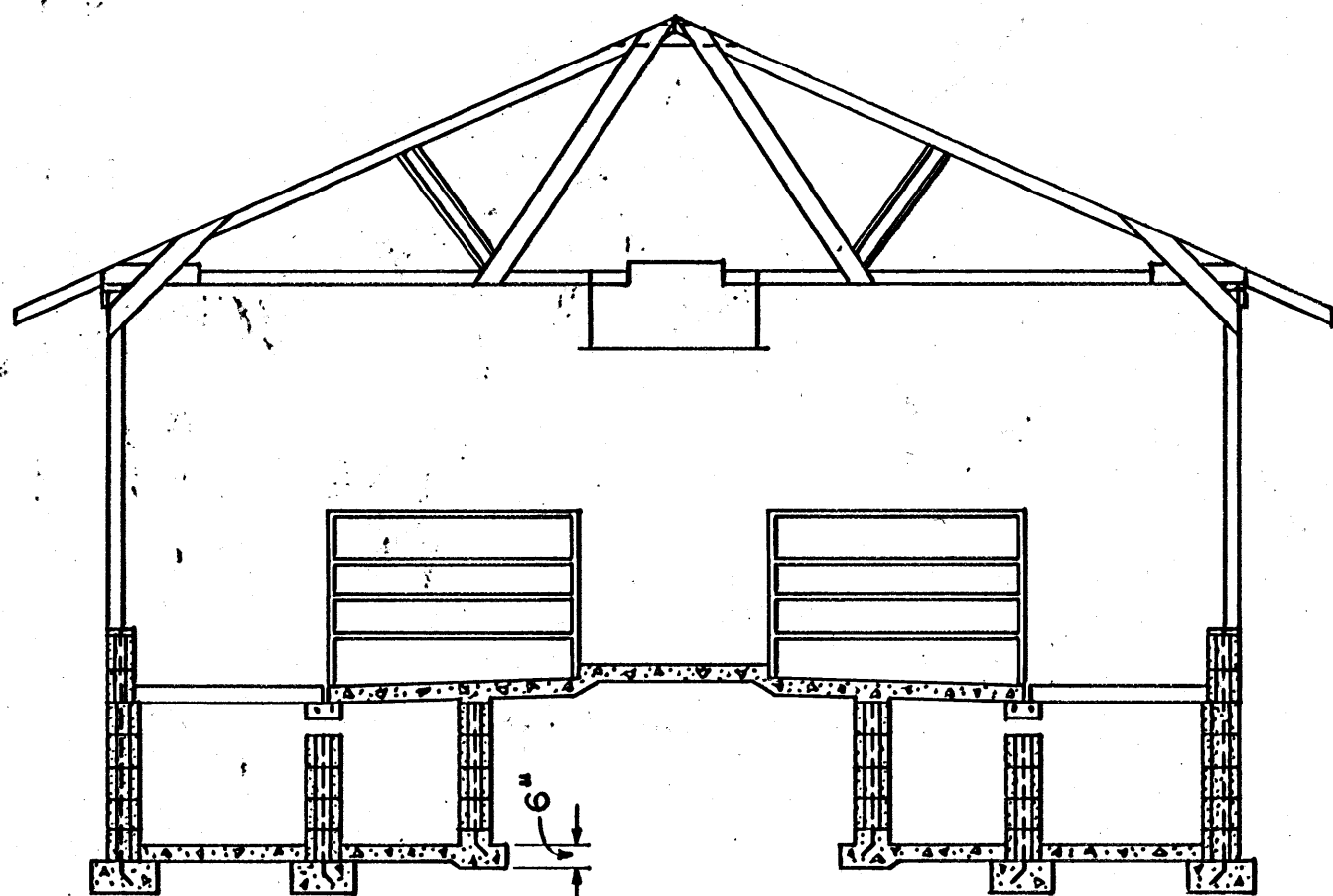
SCALE: 1/8" = 1'-0" UNLESS OTHERWISE NOTED.

COOPERATIVE EXTENSION WORK IN AGRICULTURE AND HOME ECONOMICS  
STATE OF MISSISSIPPI  
MISSISSIPPI STATE UNIVERSITY  
AND  
UNITED STATES DEPARTMENT OF AGRICULTURE COOPERATING

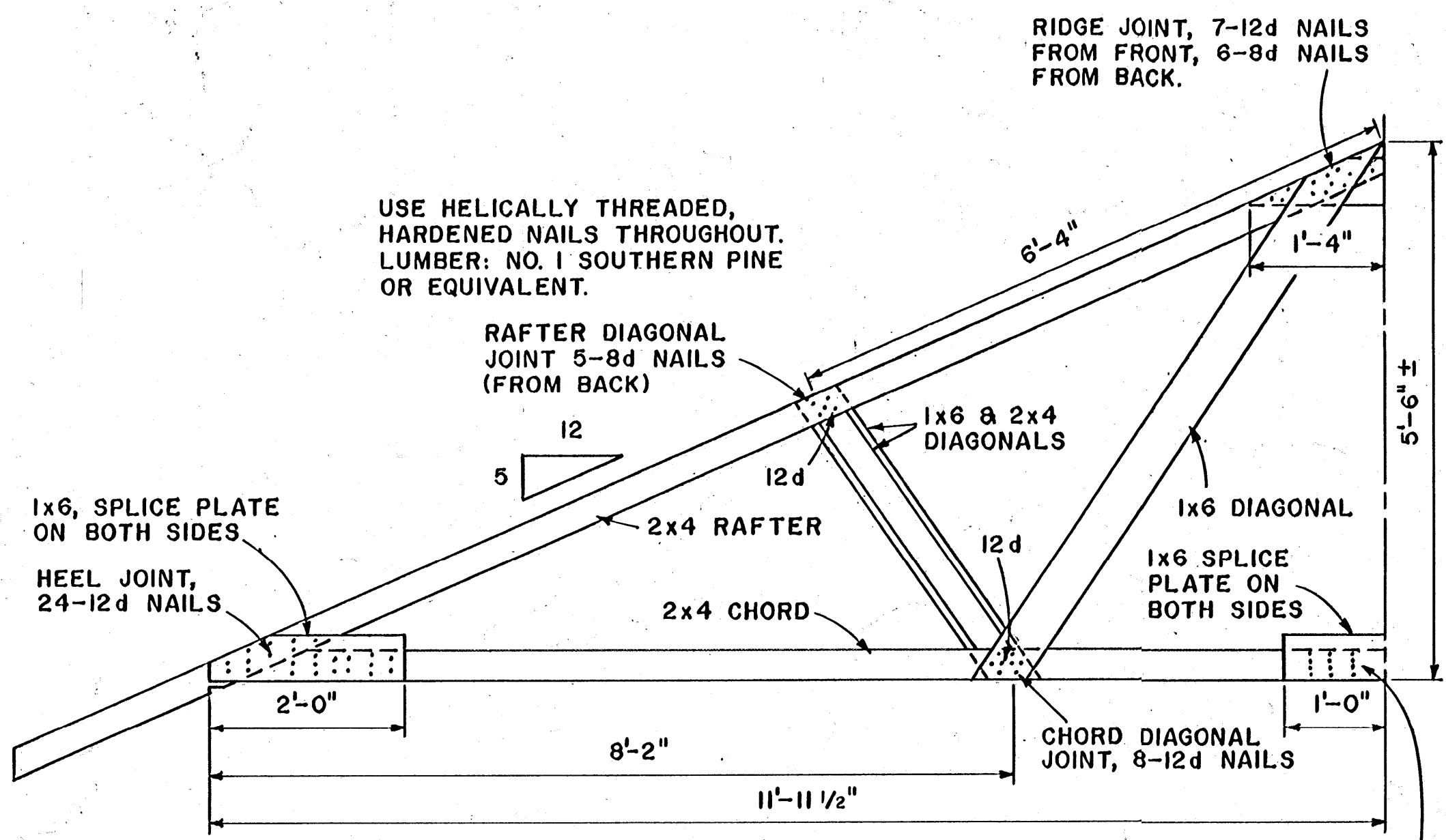
SOW GESTATION HOUSE

N.C. '75 6221 SHEET 1 OF 2

BASED ON: N.C. STATE UNIV. PLAN NO. 530



ALTERNATE SECTION A-A

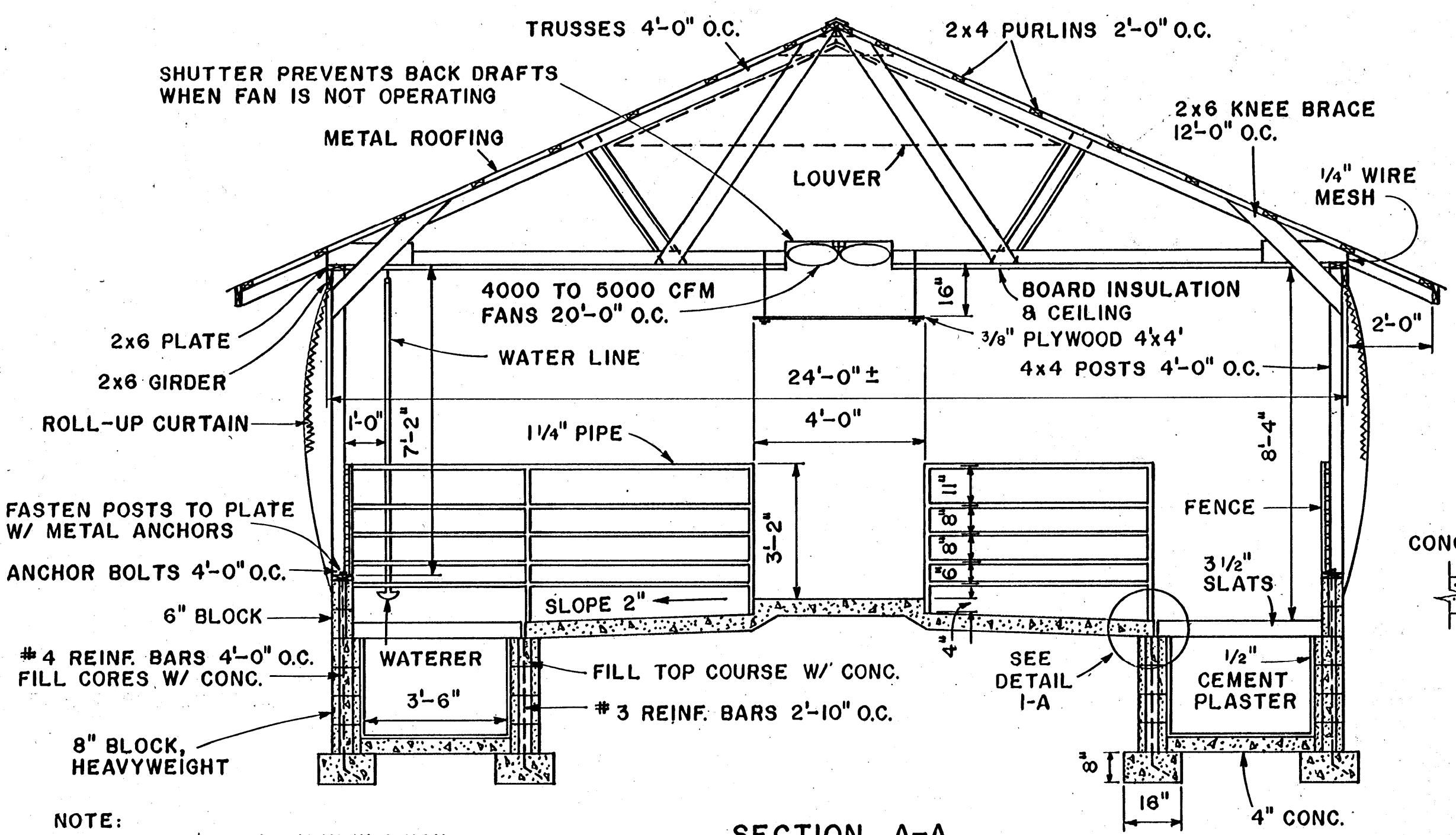


TRUSS DETAILS - HALF ASSEMBLY CENTER SPLICE JOINT 24-12d NAILS

SCALE: 3/4" = 1'-0"  
12" 6" 0 1'

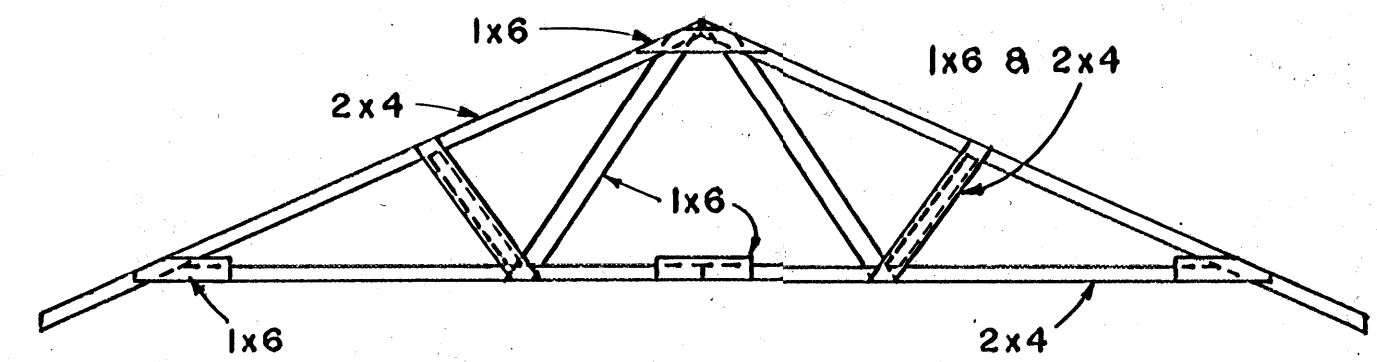
RIDGE JOINT, 7-12d NAILS FROM FRONT, 6-8d NAILS FROM BACK.

USE HELICALLY THREADED, HARDENED NAILS THROUGHOUT. LUMBER: NO. 1 SOUTHERN PINE OR EQUIVALENT.

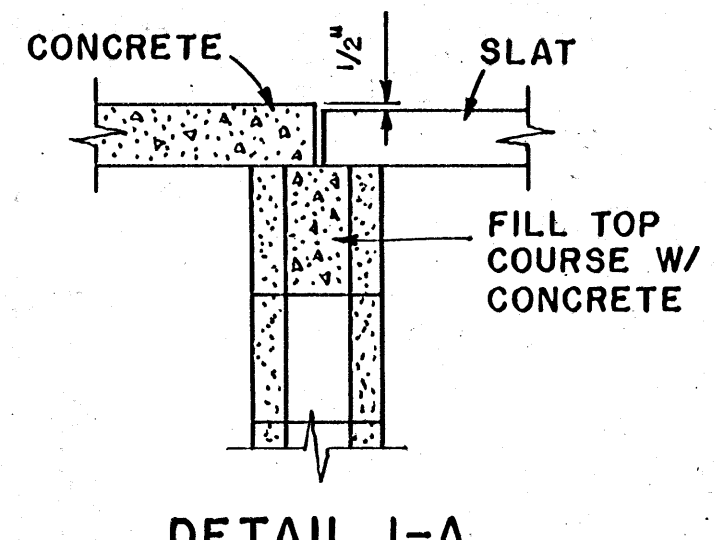


SECTION A-A

SCALE: 3/8" = 1'-0"  
12" 6" 0 1' 2' 3'



BACK OF ASSEMBLY



DETAIL I-A

SCALE: 1" = 1'-0"  
12" 9" 6" 3" 0

12" 0 1' 2' 3' 4' 5'

SCALE: 1/4" = 1'-0" UNLESS OTHERWISE NOTED.

COOPERATIVE EXTENSION WORK IN AGRICULTURE AND HOME ECONOMICS  
STATE OF MISSISSIPPI  
MISSISSIPPI STATE UNIVERSITY  
AND UNITED STATES DEPARTMENT OF AGRICULTURE COOPERATING

SOW GESTATION HOUSE

N.C.	'75	6221	SHEET 2 OF 2
------	-----	------	--------------