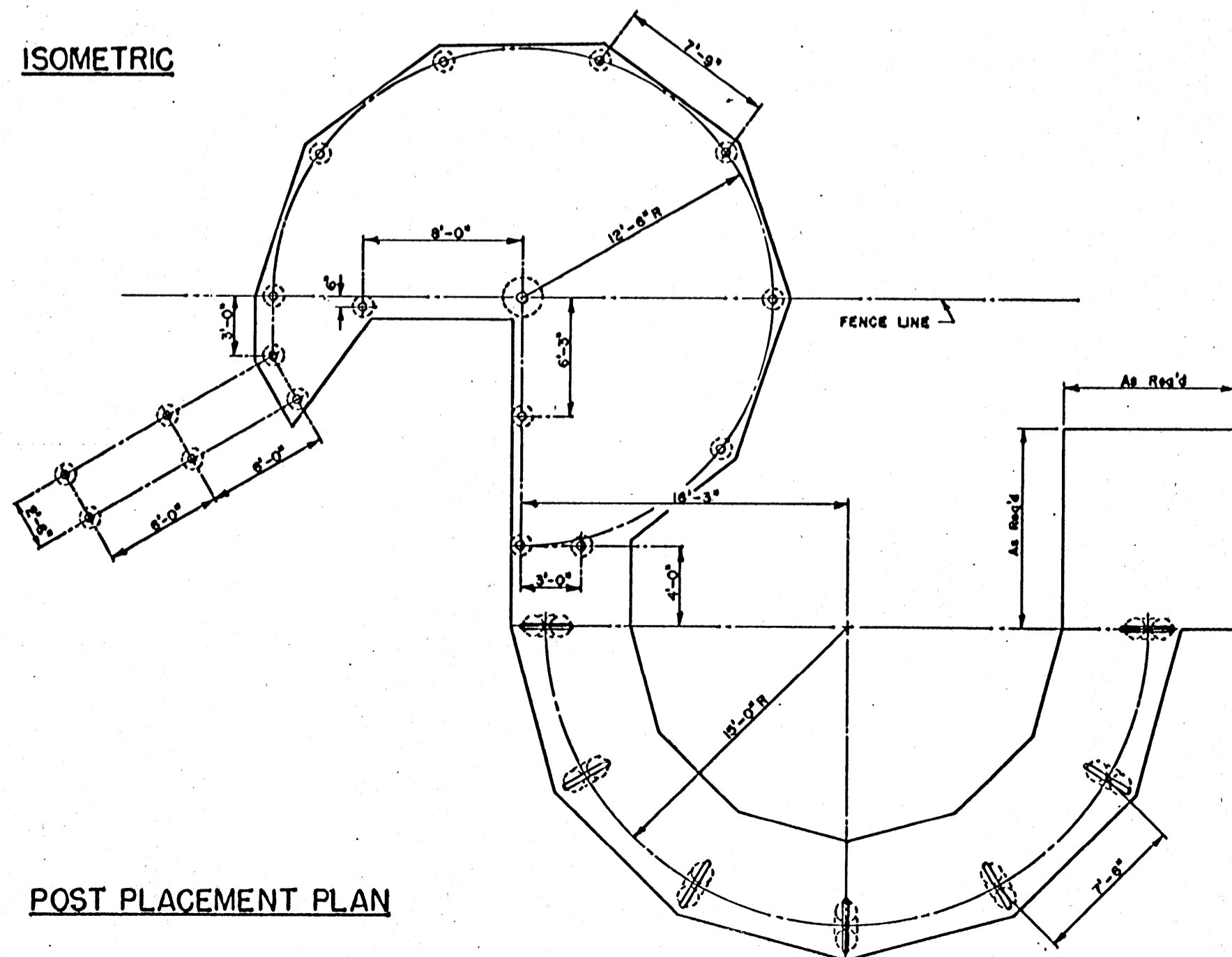
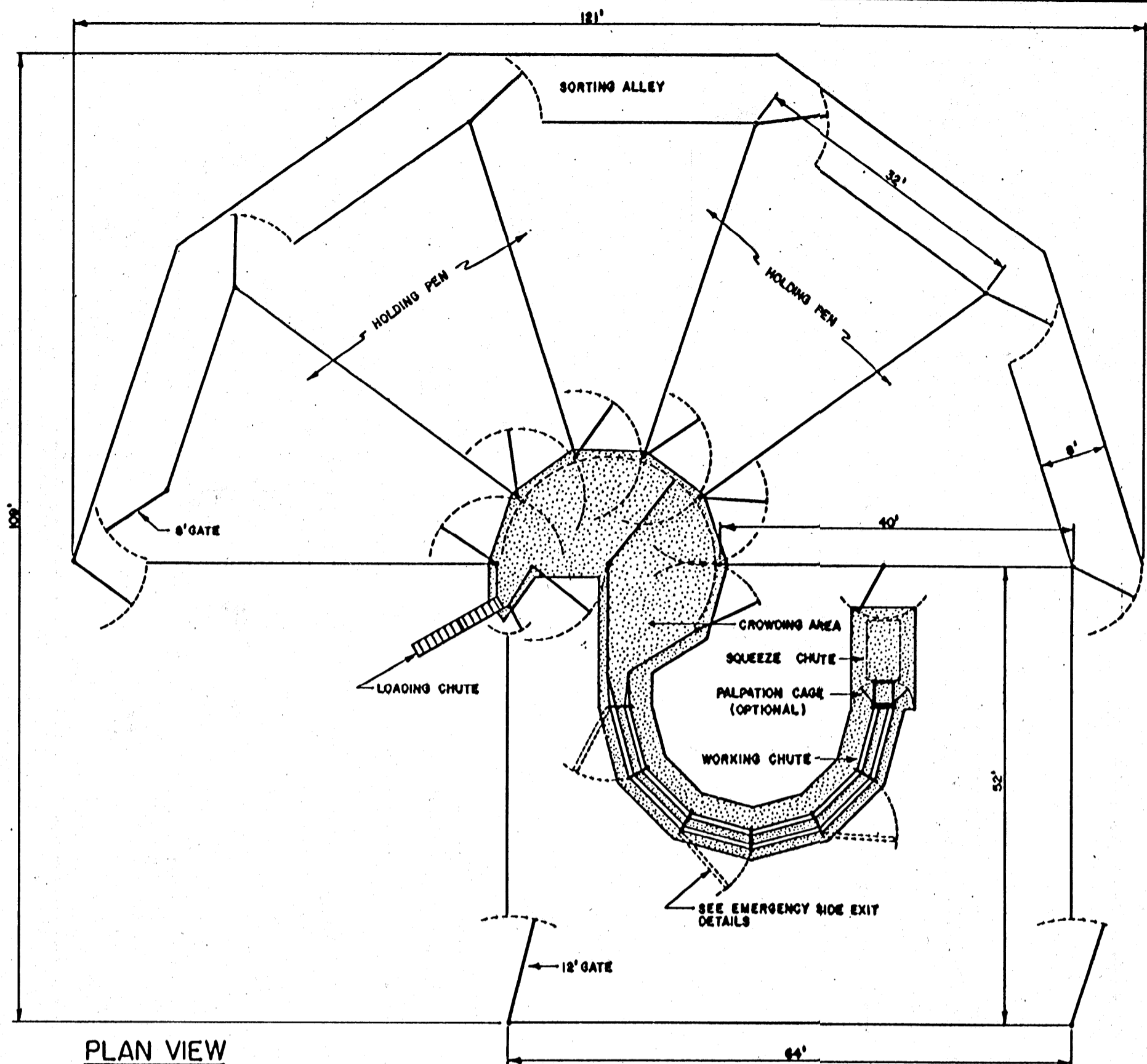


ISOMETRIC



POST PLACEMENT PLAN



PLAN VIEW

THIS PLAN CAN BE DESIGNED TO MATCH HERD SIZES FROM 70 TO MORE THAN 400 HEAD. IT CAN BE BUILT WITH A VARIETY OF PEN SIZES. THE HOLDING PENS NEAR THE SQUEEZE CHUTE PROVIDE AN EXCELLENT LOCATION FOR SICK PENS. PLATFORM SCALES CAN BE LOCATED NEAR THE CROWDING AREA TO WEIGH INCOMING AND OUTGOING CATTLE. FOR SMALL HERDS, THE CORRAL CAN BE BUILT WITH AS FEW AS TWO PIE-SHAPED PENS, THE CROWDING AREA, CURVED WORKING CHUTE, LOADING CHUTE, AND HOLDING PEN SURROUNDING THE WORKING AREA.

THIS CORRAL CAN BE USED AS A HOSPITAL AREA, RECEIVING FACILITY, BACKGROUNDING LOT, OR COMBINATION FOR SMALLER FEEDLOTS AND STOCK OPERATIONS. WORKING AREA CAN BE CONSTRUCTED UNDER A ROOF TO ENSURE ALL-WEATHER USABILITY. THE SMALLER HOLDING PENS CAN BE PLACED IN A BUILDING TO PROVIDE ENVIRONMENTAL PROTECTION FOR SICK ANIMALS. FEEDING BUNKS CAN BE CONSTRUCTED ON THE OUTER FENCE LINES TO ACCOMMODATE DELIVERY FROM MIXER TRUCKS.

THE FIVE PIE-SHAPED PENS AROUND THE PERIMETER OF THE SORTING ALLEY ARE CAPABLE OF HOLDING 150 HEAD OF MATURE CATTLE. ADDING PENS TO THE OUTER PERIMETER OF THE CENTRAL FIVE PENS CAN INCREASE HOLDING CAPACITY TO OVER 400 HEAD. PIE-SHAPED HOLDING PENS MAY BE IDEAL FOR SOME USES, BUT ADDITIONAL FENCING IS REQUIRED COMPARED TO RECTANGULAR PENS OF THE SAME AREA.

NOTES

1. CONSULT LOCAL HEALTH AND BUILDING CODE AUTHORITIES BEFORE STARTING CONSTRUCTION.
2. BEGIN CONSTRUCTION WITH PLACEMENT OF CROWDING GATE POST. THE REMAINDER OF WORKING FACILITY IS LAID OUT FROM THIS POINT.
3. PLACE CONCRETE OVER WELL-DRAINED, UNDISTURBED SOIL, TAMPED SOIL, OR GRAVEL FILL. ALL SURFACE ORGANIC MATTER, MANURE, TRASH, AND SOFT SOIL SHOULD BE REMOVED.
4. USE 6x6, No. 10 WELDED WIRE MESH WITH CONCRETE PLACED OVER SOFT OR SPONGY SOIL.
5. SLOPE CROWDING AREA FLOOR 1/4" PER FOOT TO OUTSIDE FOR DRAINAGE.
6. PROVIDE A ROUGH CONCRETE FINISH TO INSURE STABLE FOOTING FOR ANIMALS.
7. ALL SHEET STEEL MOUNTED INSIDE OF POSTS.

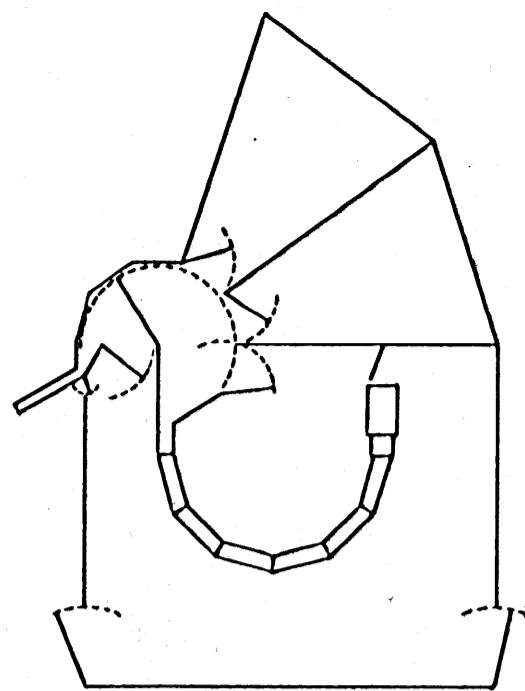
DRAWINGS NOT TO SCALE

COOPERATIVE EXTENSION SERVICE
 AGRICULTURE AND HOME ECONOMICS
 STATE OF MISSISSIPPI
 MISSISSIPPI STATE UNIVERSITY
 AND
 UNITED STATES DEPARTMENT OF AGRICULTURE COOPERATING

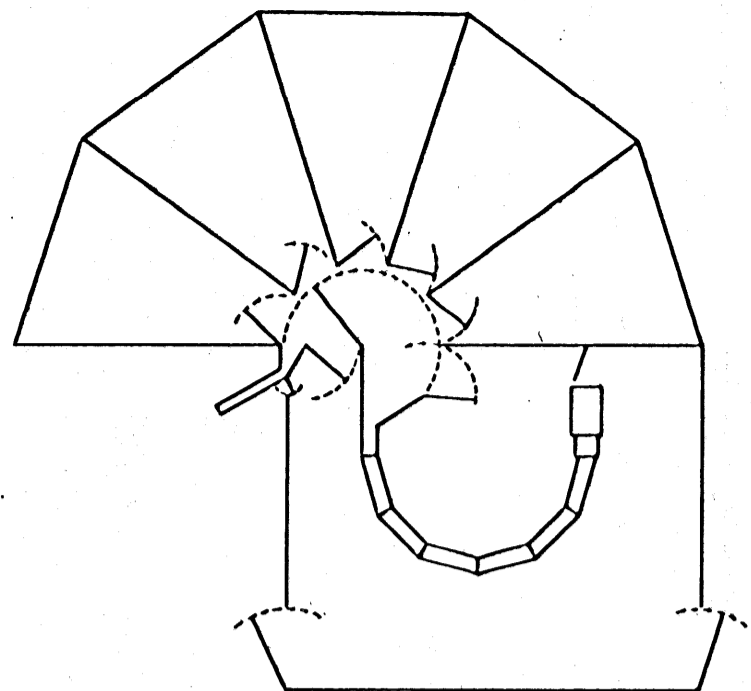
EXPANSIBLE CORRALS

OK' 73 6229 SHEET 1 OF 4

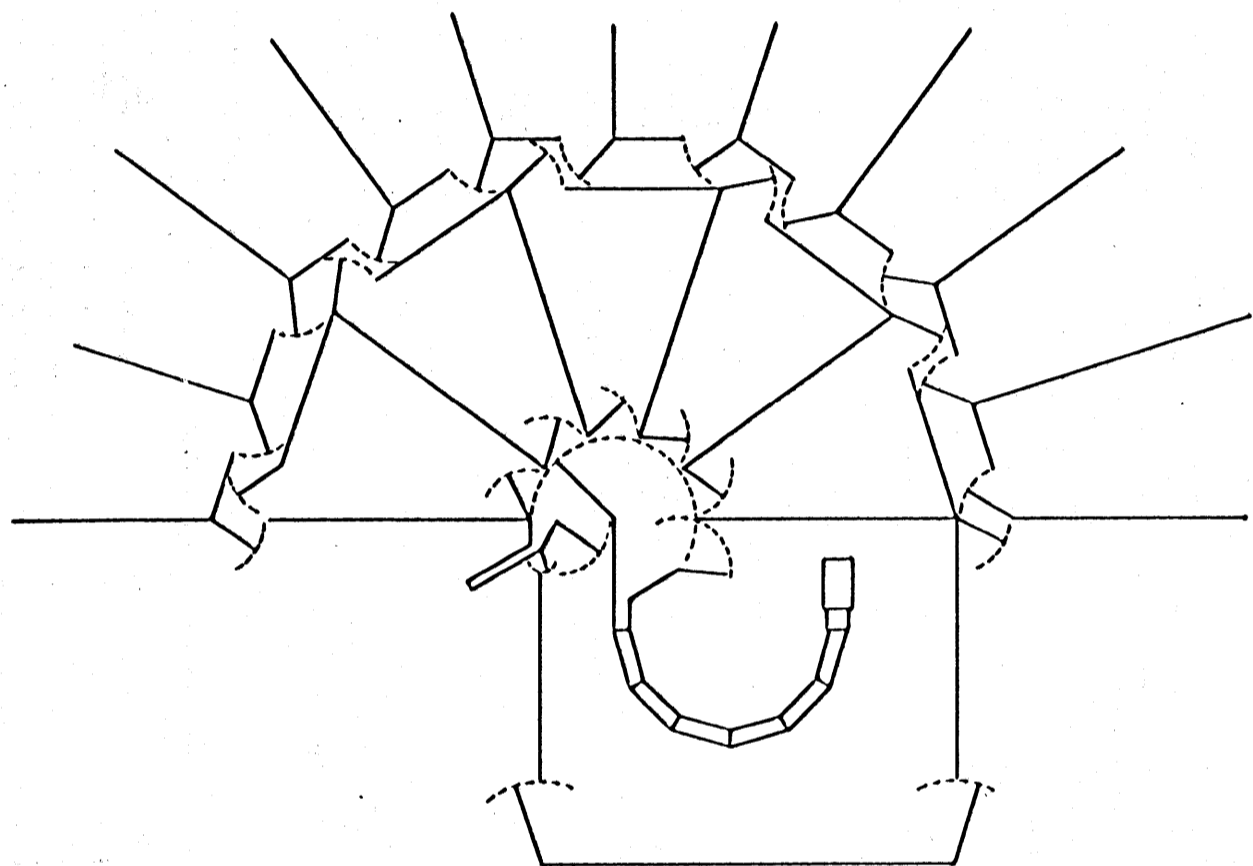
REV' 86



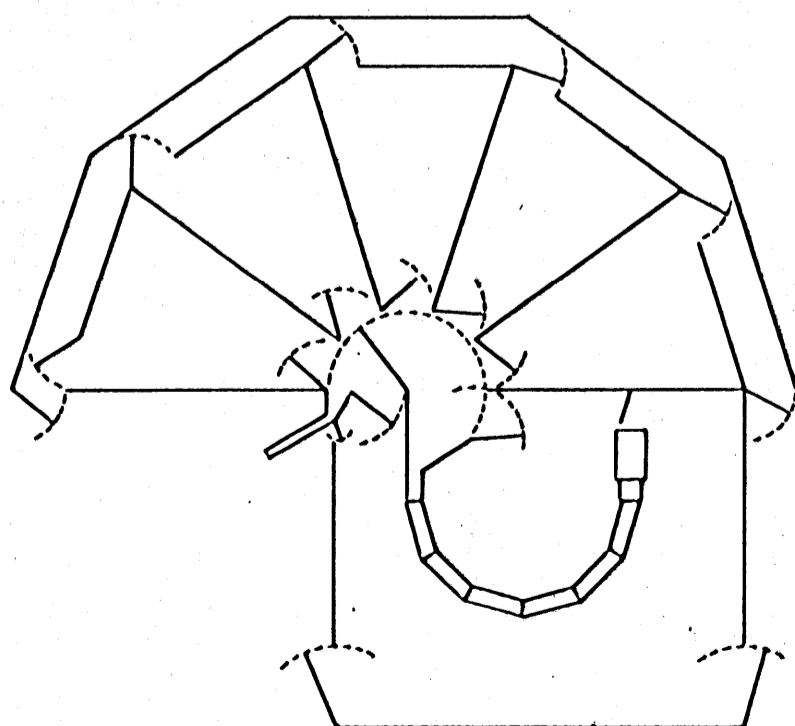
CAPACITY 70 HEAD



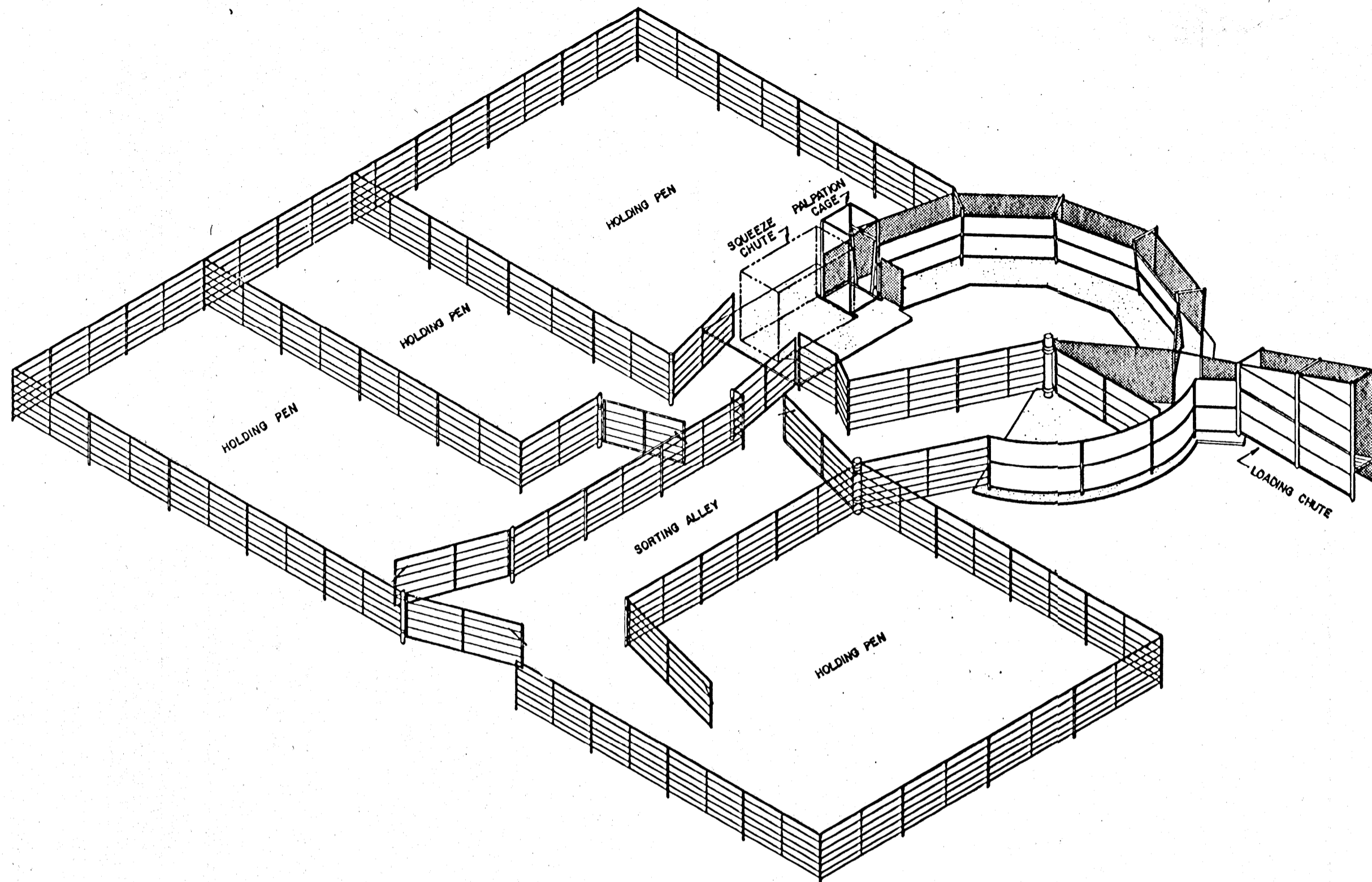
CAPACITY 175 HEAD



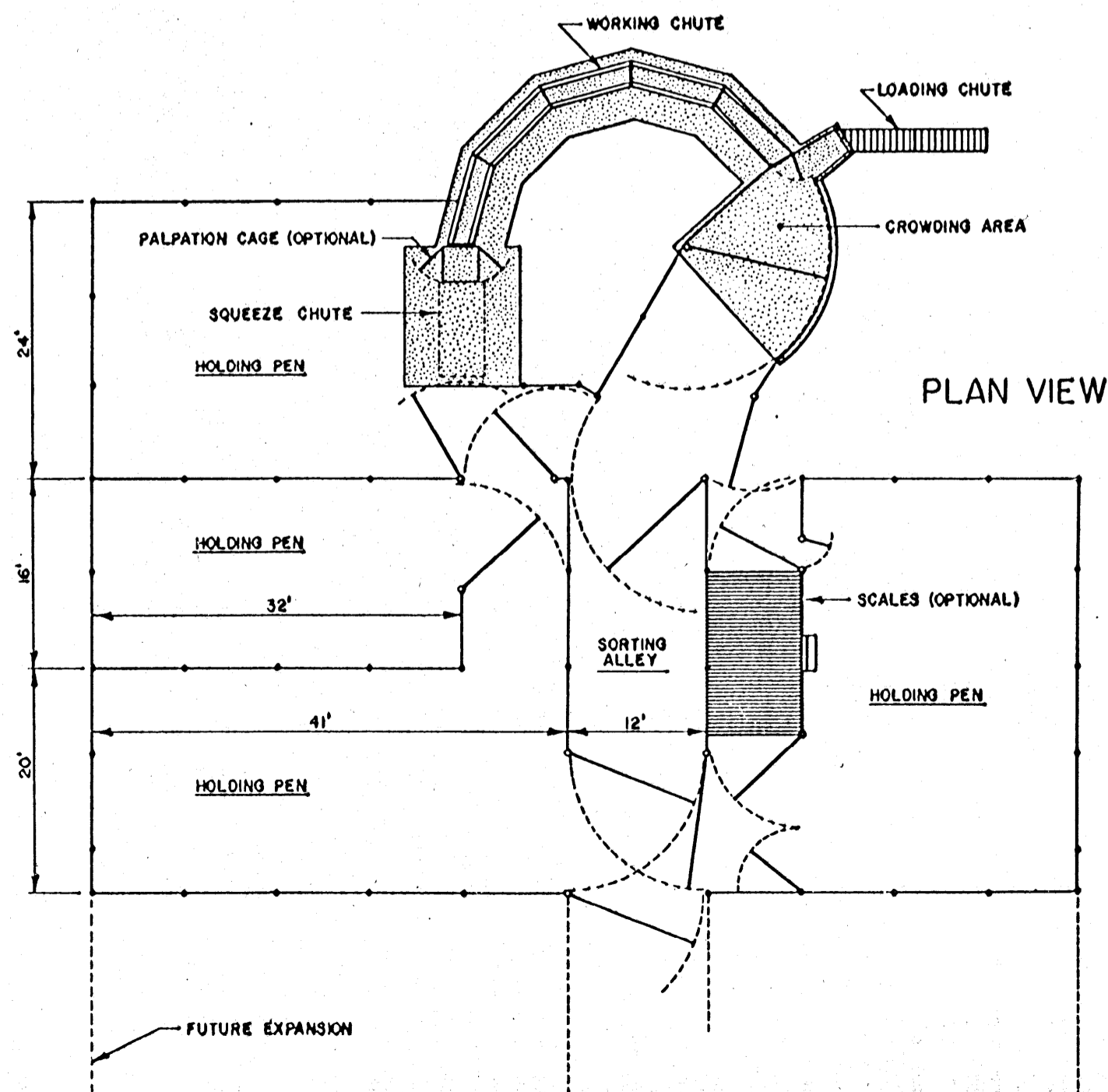
CAPACITY 200 HEAD OR MORE



CAPACITY 175 HEAD



ISOMETRIC



PLAN VIEW

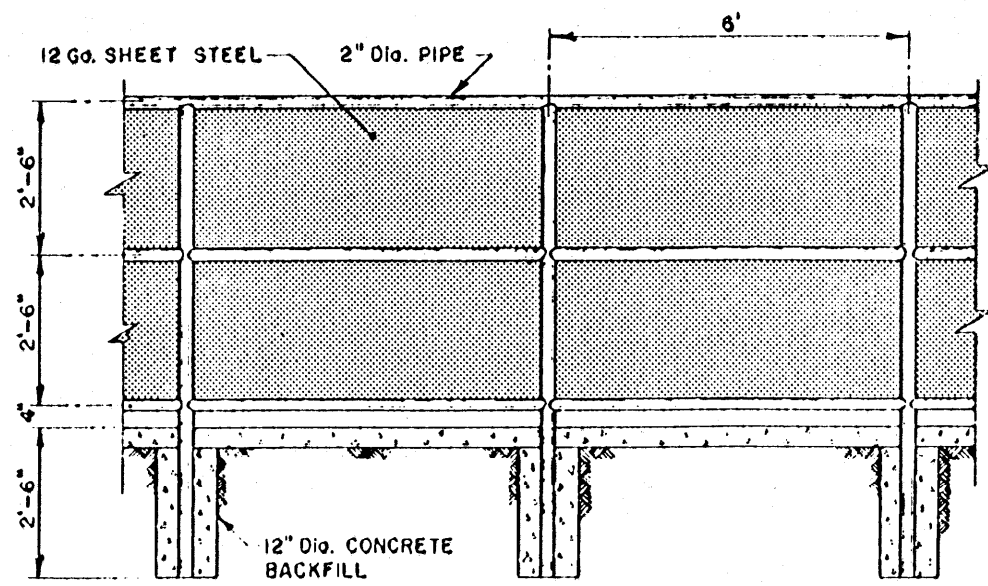
DRAWINGS NOT TO SCALE

COOPERATIVE EXTENSION SERVICE
 AGRICULTURE AND HOME ECONOMICS
 STATE OF MISSISSIPPI
 MISSISSIPPI STATE UNIVERSITY
 AND
 UNITED STATES DEPARTMENT OF AGRICULTURE COOPERATING

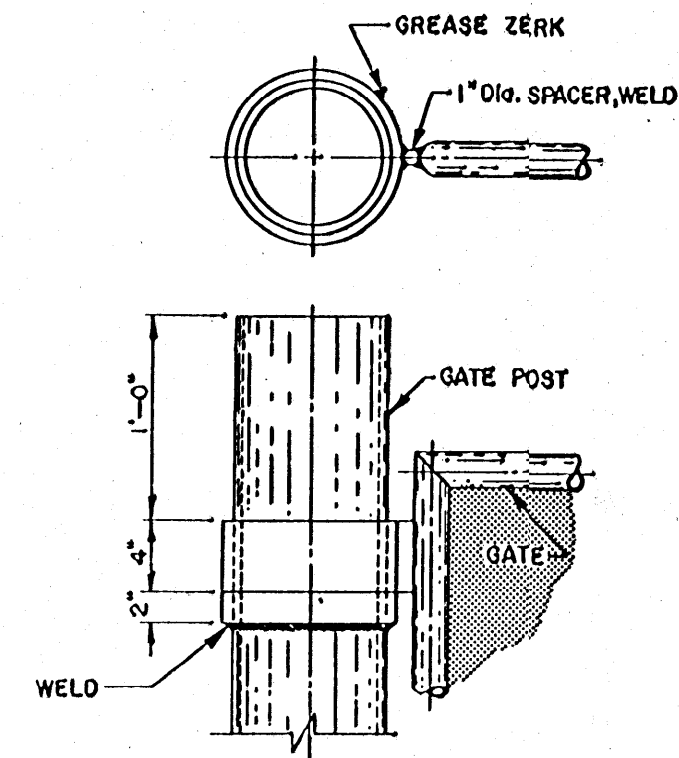
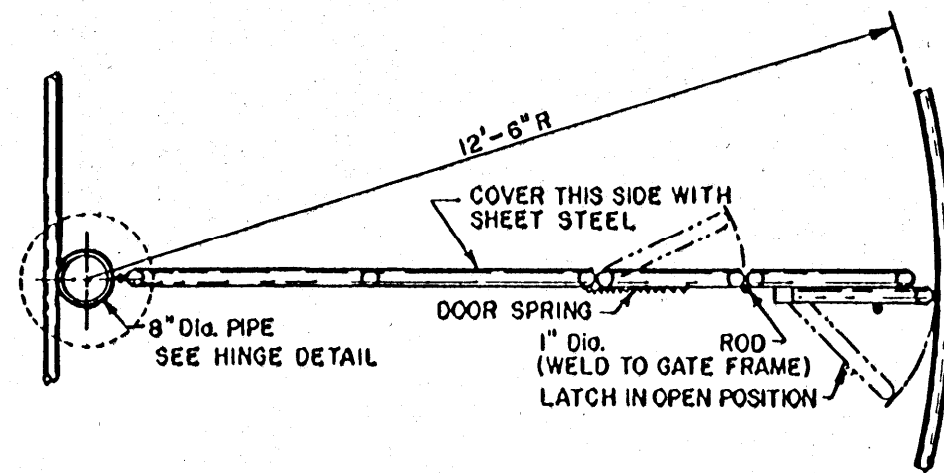
EXPANSIBLE CORRALS

OK' 73 6229 SHEET 2 OF 4

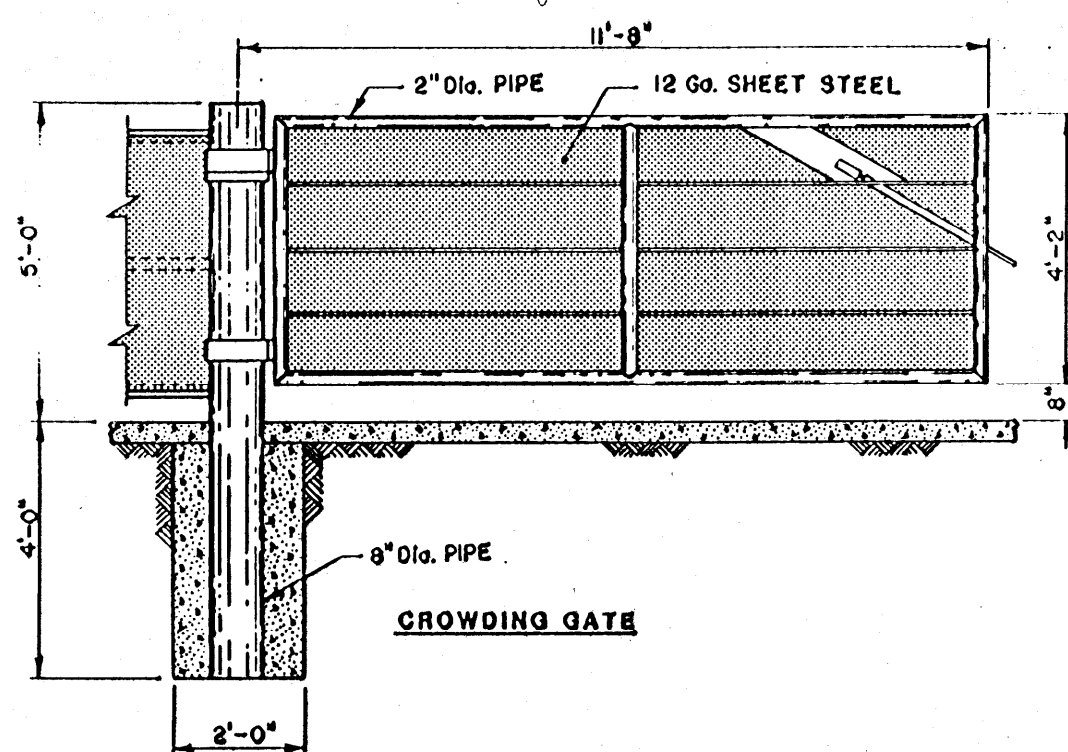
REV'86



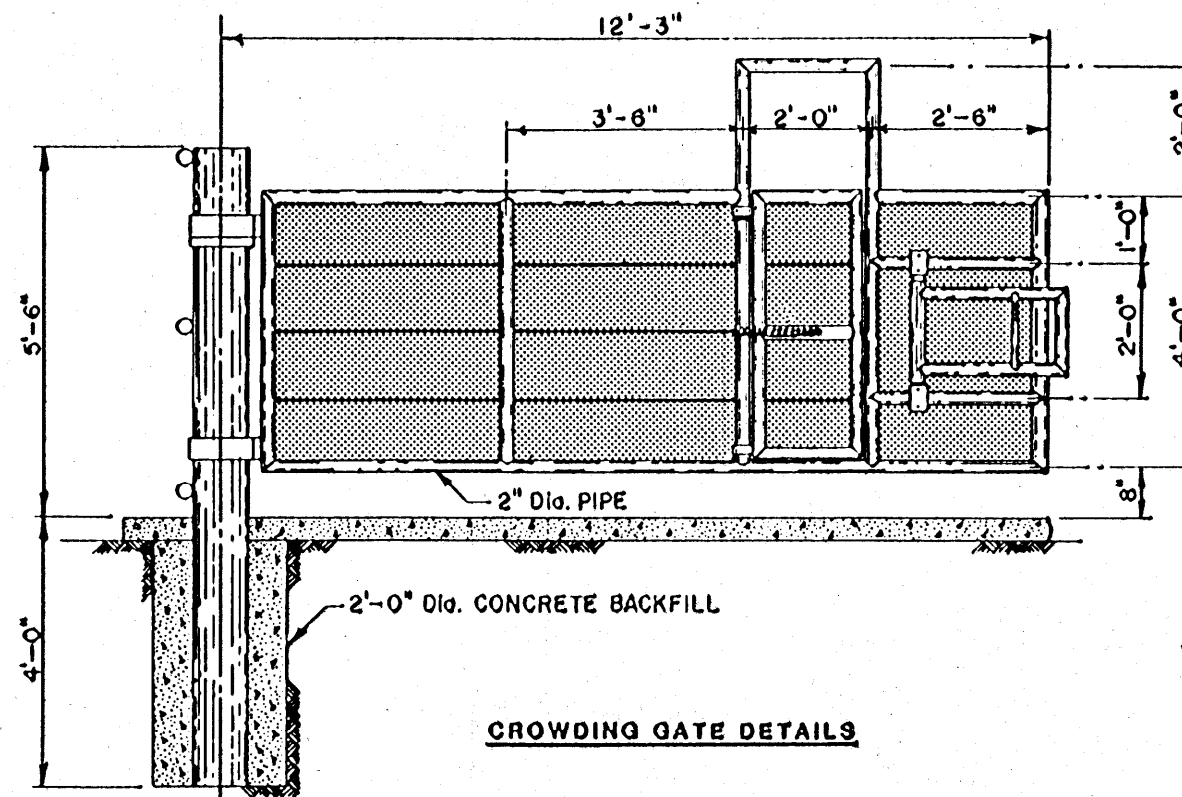
CROWDING AREA FENCE



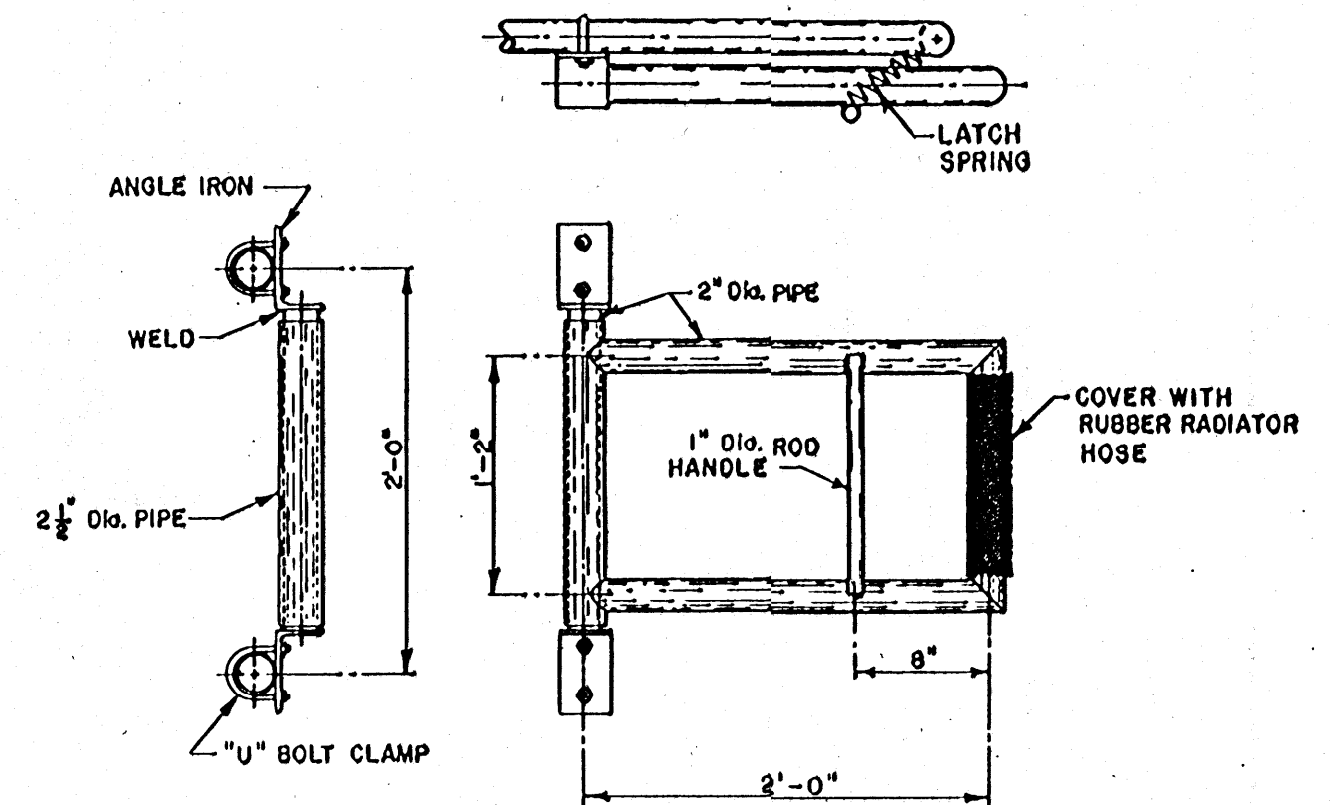
CROWDING GATE HINGE



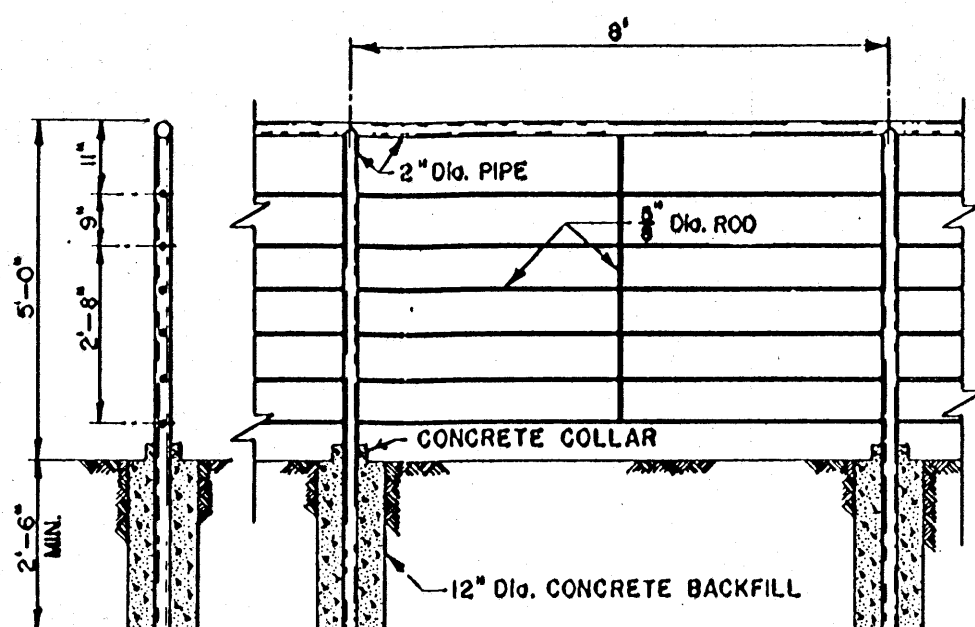
CROWDING GATE



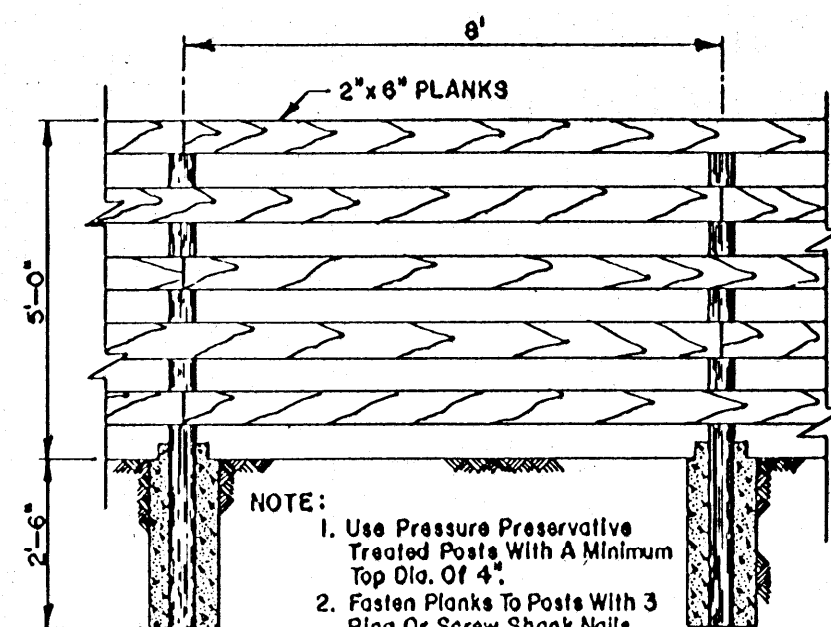
CROWDING GATE DETAILS



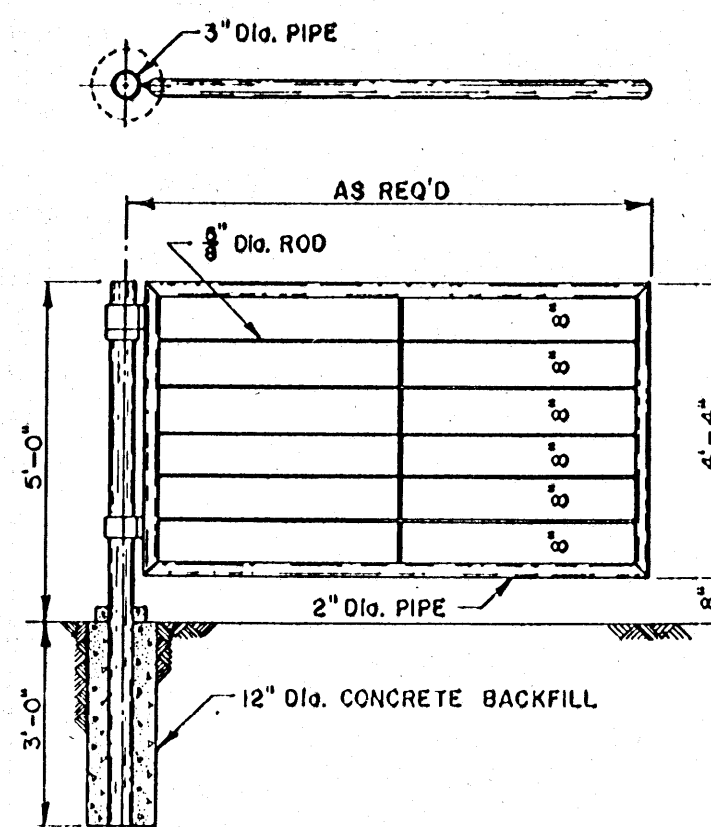
CROWDING GATE LATCH



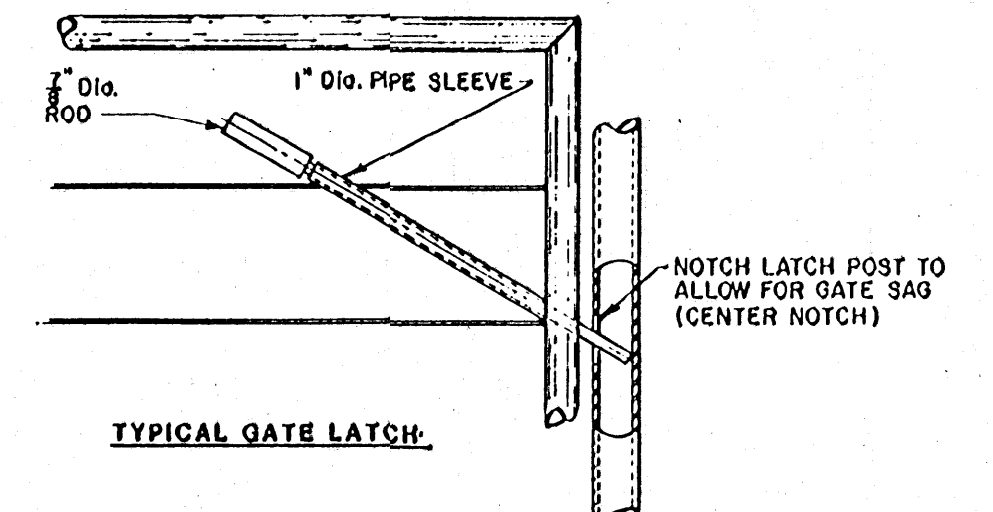
TYPICAL FENCE DETAILS



NOTE:
 1. Use Pressure Preservative Treated Posts With A Minimum Top Dia. Of 4".
 2. Fasten Planks To Posts With 3 Ring Or Screw Shank Nails, Staggered To Avoid Splitting The Plank.



TYPICAL GATE DETAILS



TYPICAL GATE LATCH

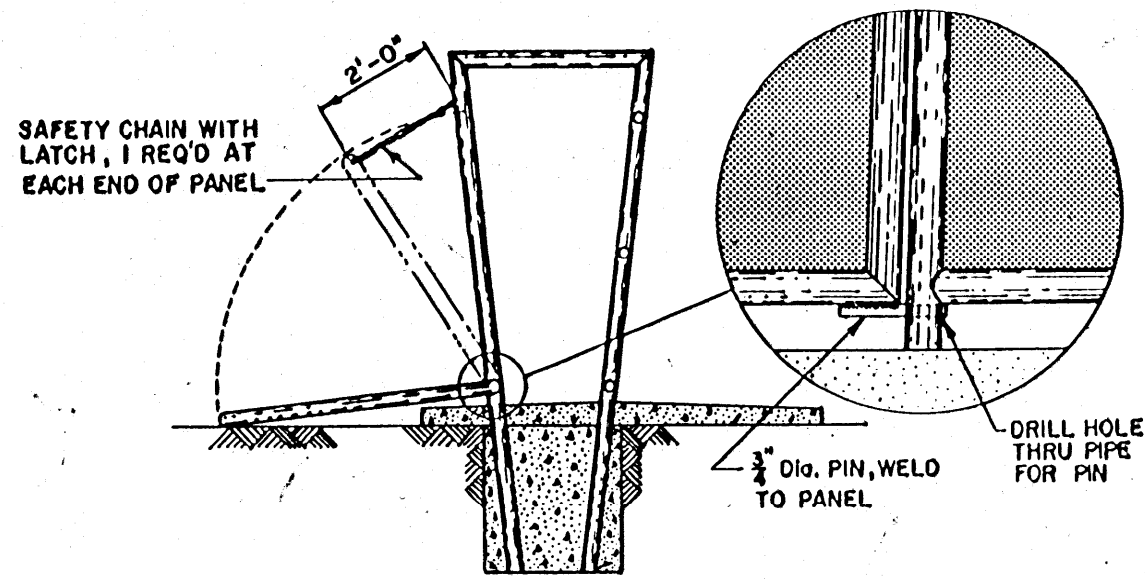
DRAWINGS NOT TO SCALE

COOPERATIVE EXTENSION SERVICE
 AGRICULTURE AND HOME ECONOMICS
 STATE OF MISSISSIPPI
 MISSISSIPPI STATE UNIVERSITY
 AND
 UNITED STATES DEPARTMENT OF AGRICULTURE COOPERATING

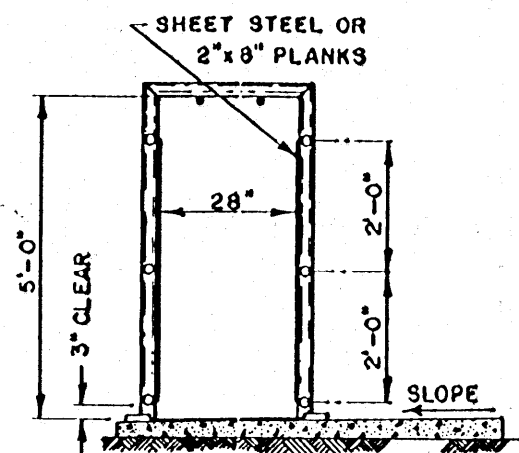
EXPANSIBLE CORRALS

OK' 73 6229 SHEET 3 OF 4

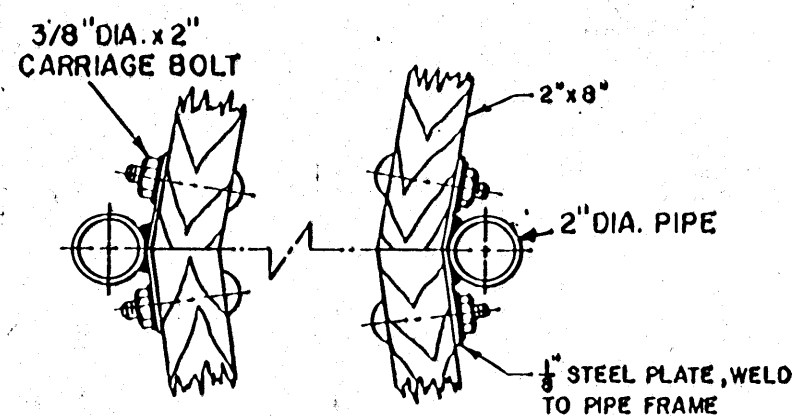
REV' 86



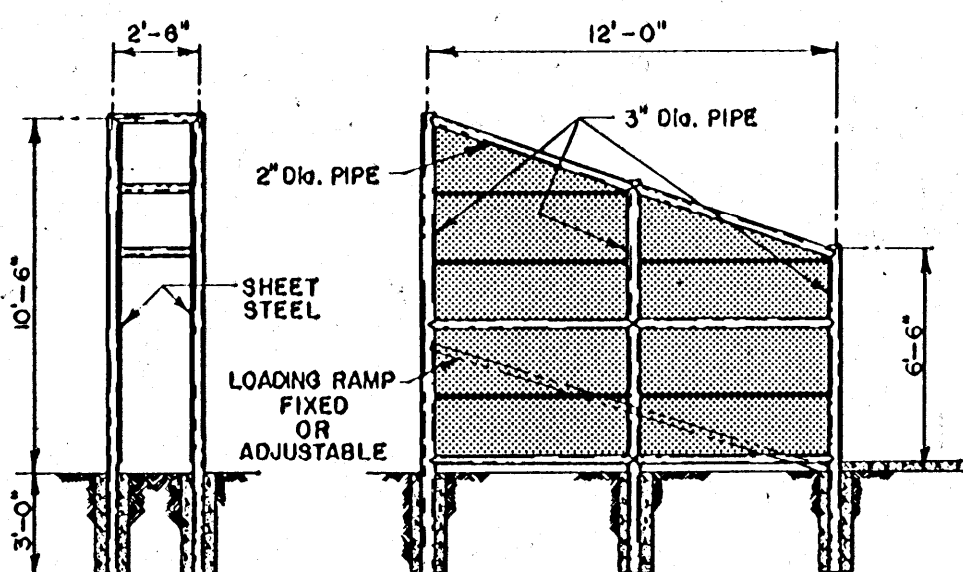
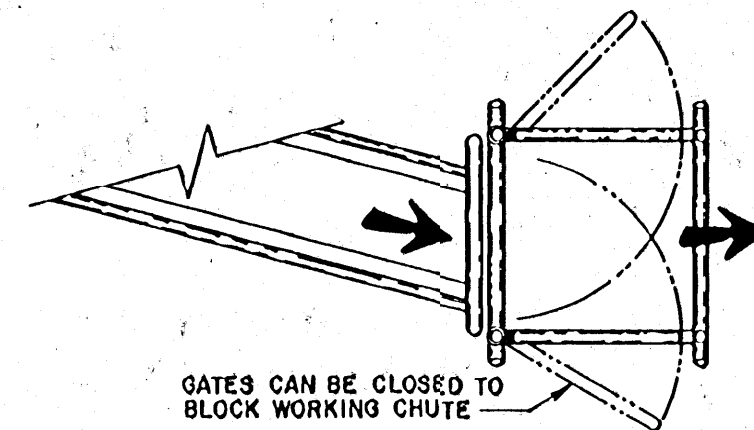
EMERGENCY SIDE EXIT



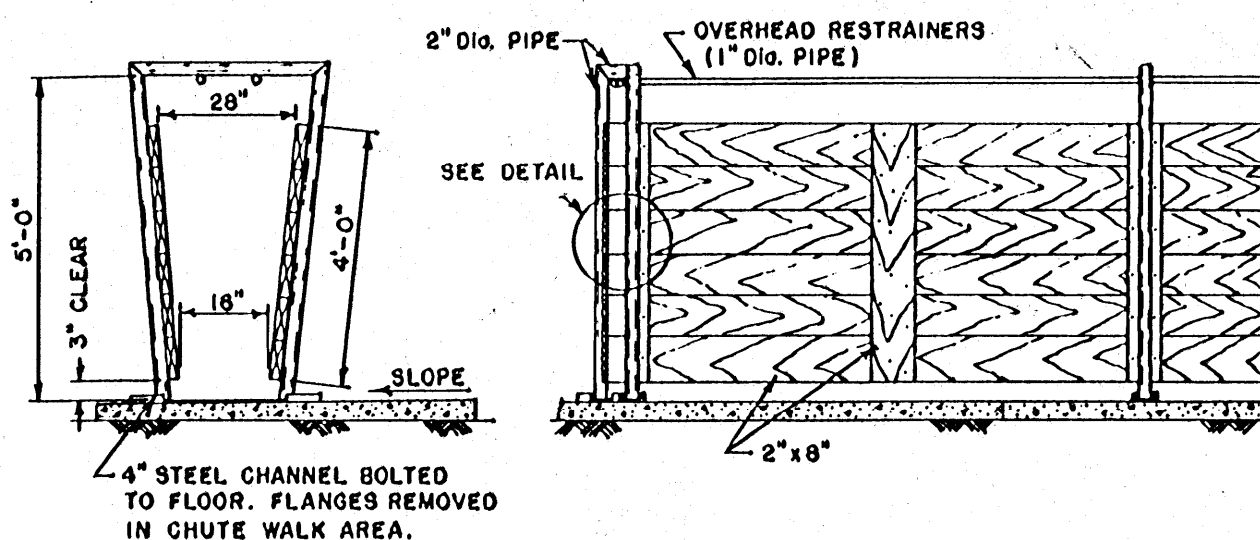
ALTERNATE CONSTRUCTION FOR STATIONARY WORKING CHUTE



PLANK FASTENING DETAIL



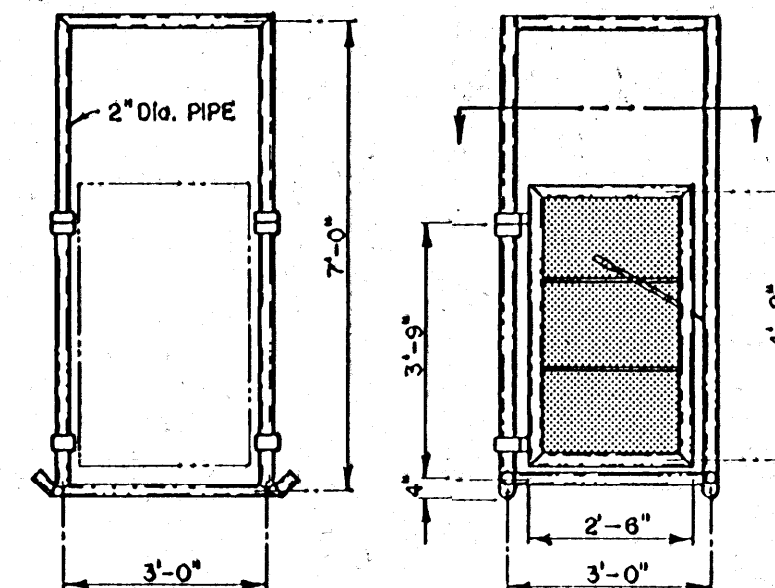
LOADING CHUTE ELEVATIONS



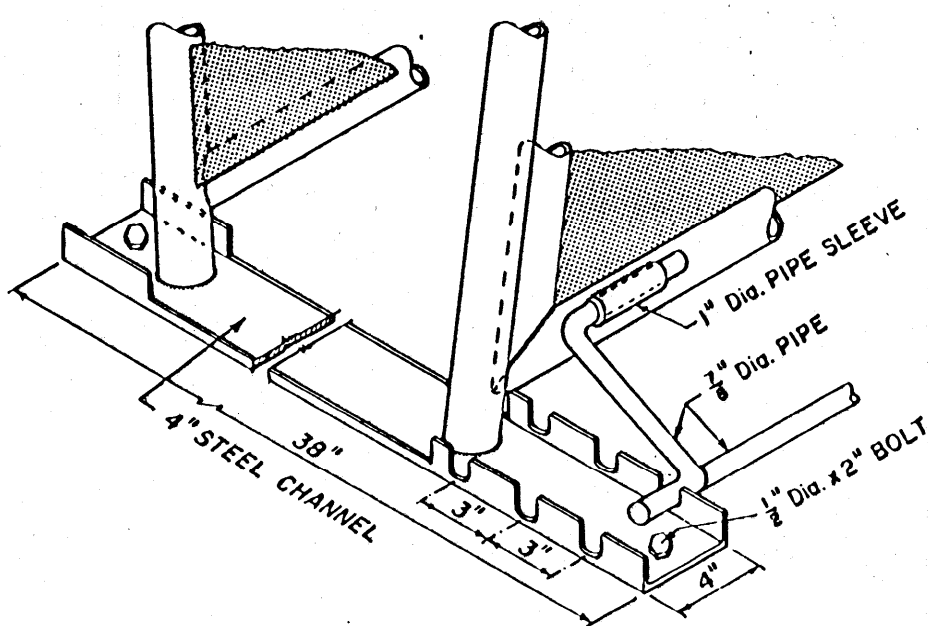
SECTION

ELEVATION

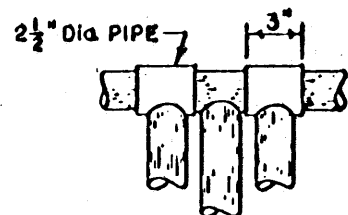
STATIONARY WORKING CHUTE (PIPE AND PLANK)



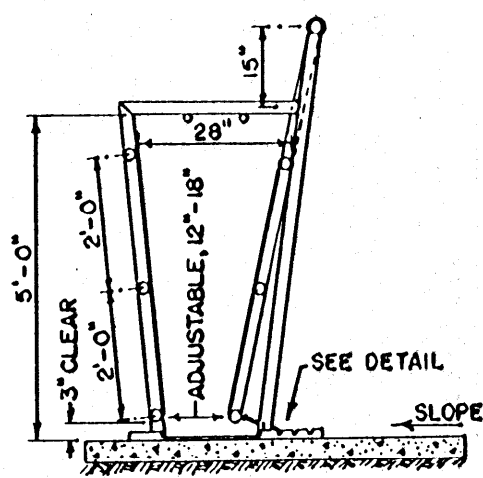
PALPATION CAGE



PANEL ADJUSTMENT

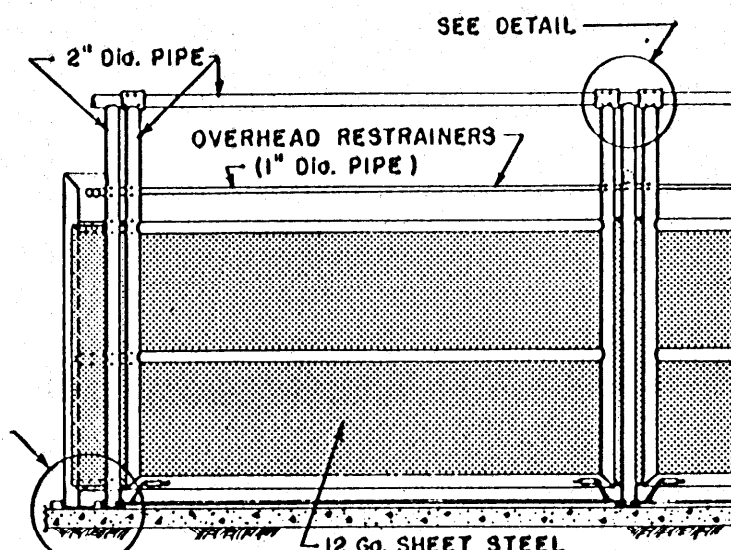


PANEL SUPPORT HINGES



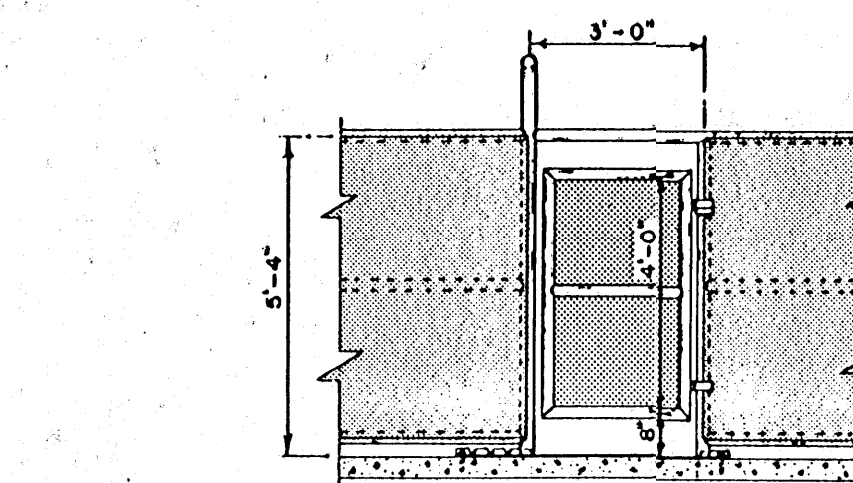
NOTE: AT WIDEST SETTING (18"), ADJUSTABLE PANEL IS FLUSH WITH STATIONARY PIPE SUPPORT.

SECTION



ELEVATION

ADJUSTABLE WORKING CHUTE (PIPE AND SHEET STEEL)



WORKING CHUTE ENTRANCE

DRAWINGS NOT TO SCALE

COOPERATIVE EXTENSION SERVICE
 AGRICULTURE AND HOME ECONOMICS
 STATE OF MISSISSIPPI
 MISSISSIPPI STATE UNIVERSITY
 AND
 UNITED STATES DEPARTMENT OF AGRICULTURE COOPERATING

EXPANSIBLE CORRALS

OK'73 6229 SHEET 4 OF 4

REV'86