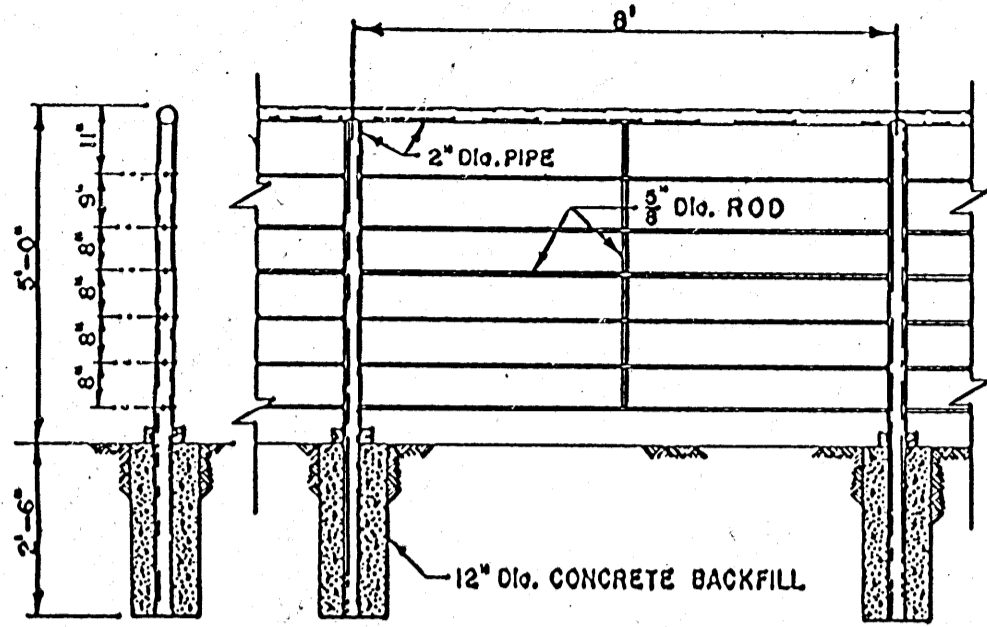
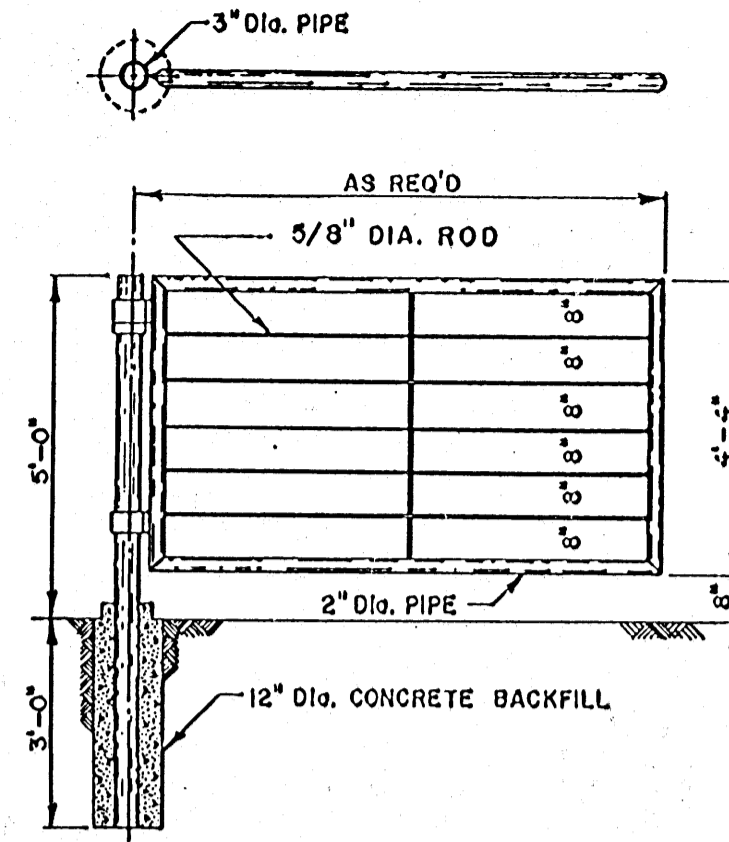
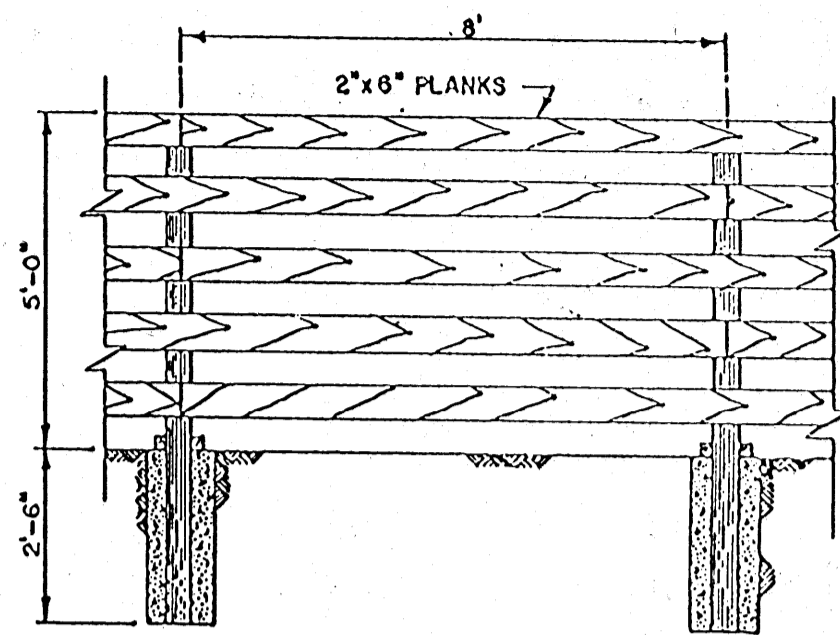


NOTE:

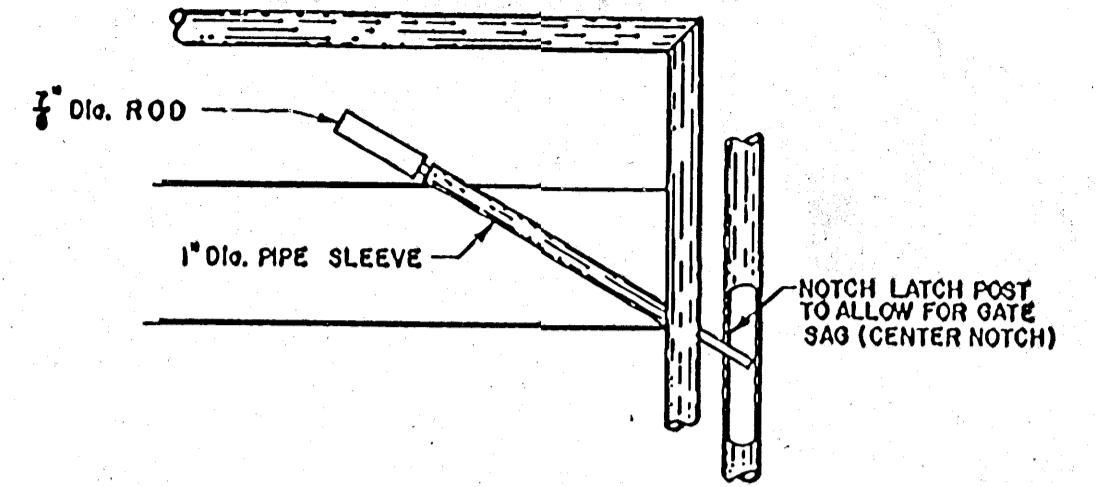
1. USE PRESSURE PRESERVATIVE TREATED POSTS WITH A MINIMUM TOP DIAMETER OF 4".
2. FASTEN PLANKS TO POSTS WITH 3 RING OR SCREW SHANK NAILS, STAGGERED TO AVOID SPLITTING THE PLANK.



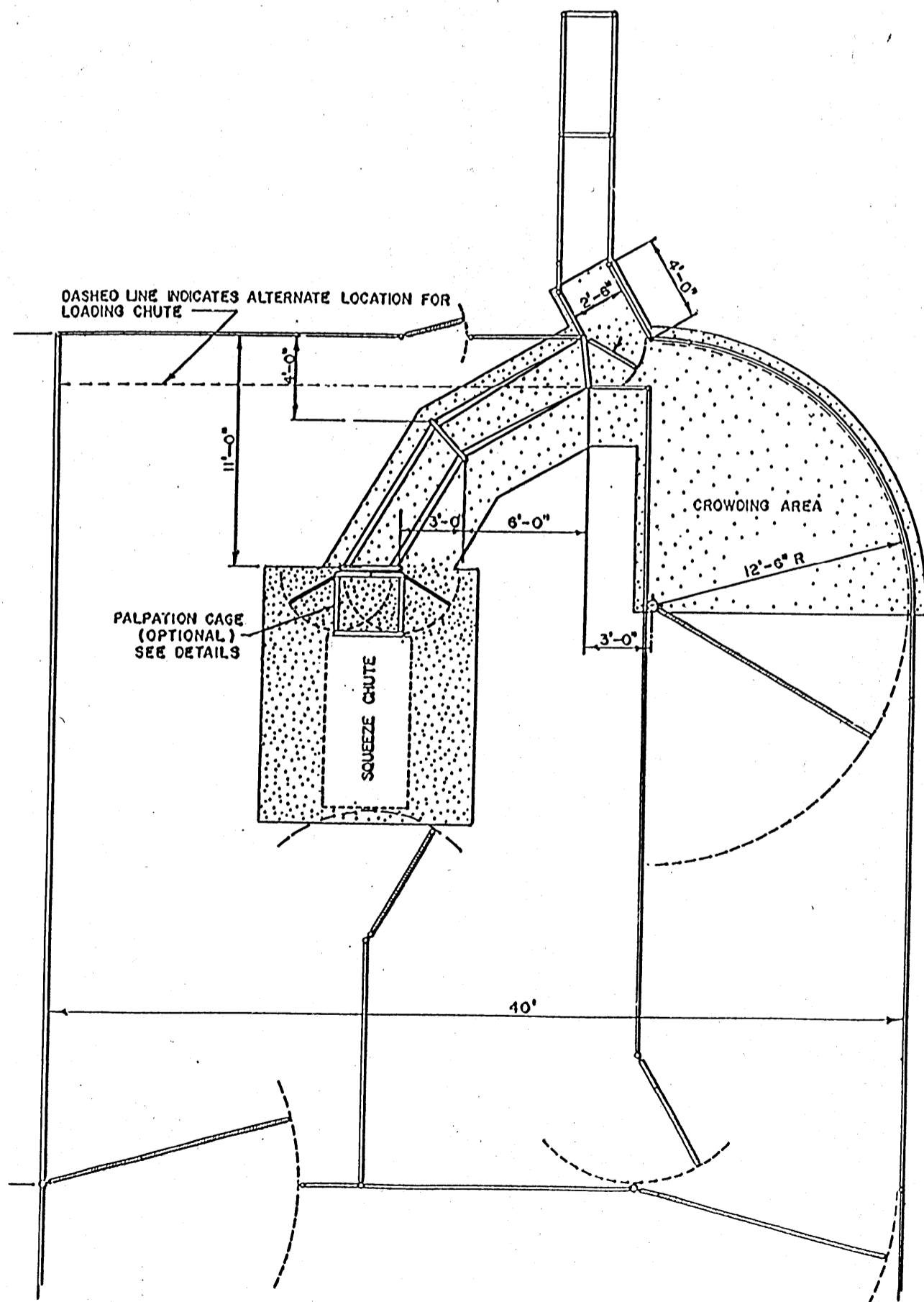
TYPICAL FENCE DETAILS



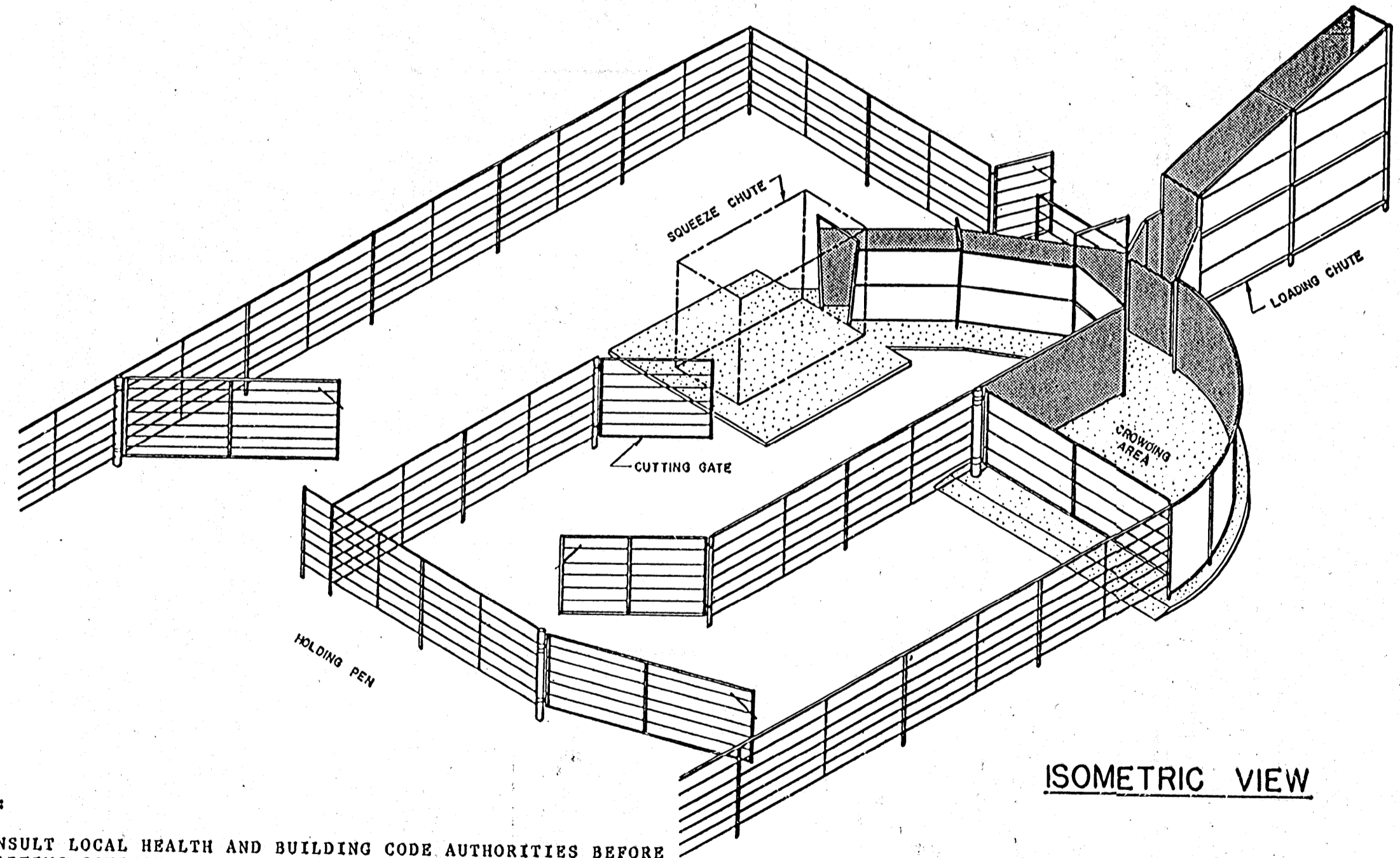
TYPICAL GATE DETAILS



TYPICAL GATE LATCH



PLAN VIEW



ISOMETRIC VIEW

NOTES:

1. CONSULT LOCAL HEALTH AND BUILDING CODE AUTHORITIES BEFORE STARTING CONSTRUCTION.
2. BEGIN CONSTRUCTION WITH PLACEMENT OF CROWDING GATE POST. THE REMAINDER OF WORKING FACILITY IS LAID OUT FROM THIS POINT.
3. PLACE CONCRETE OVER WELL-DRAINED, UNDISTURBED SOIL, TAMPED SOIL, OR GRAVEL FILL. ALL SURFACE ORGANIC MATTER, MANURE, TRASH, AND SOFT SOIL SHOULD BE REMOVED.
4. USE 6x6, No.10 WW MESH WITH CONCRETE PLACED OVER SOFT OR SPONGY SOIL.
5. SLOPE CROWDING AREA FLOOR 1/4" PER FOOT TO OUTSIDE FOR DRAINAGE.
6. PROVIDE A ROUGH CONCRETE FINISH TO INSURE STABLE FOOTING FOR ANIMALS.
7. ALL SHEET STEEL MOUNTED INSIDE OF POSTS.

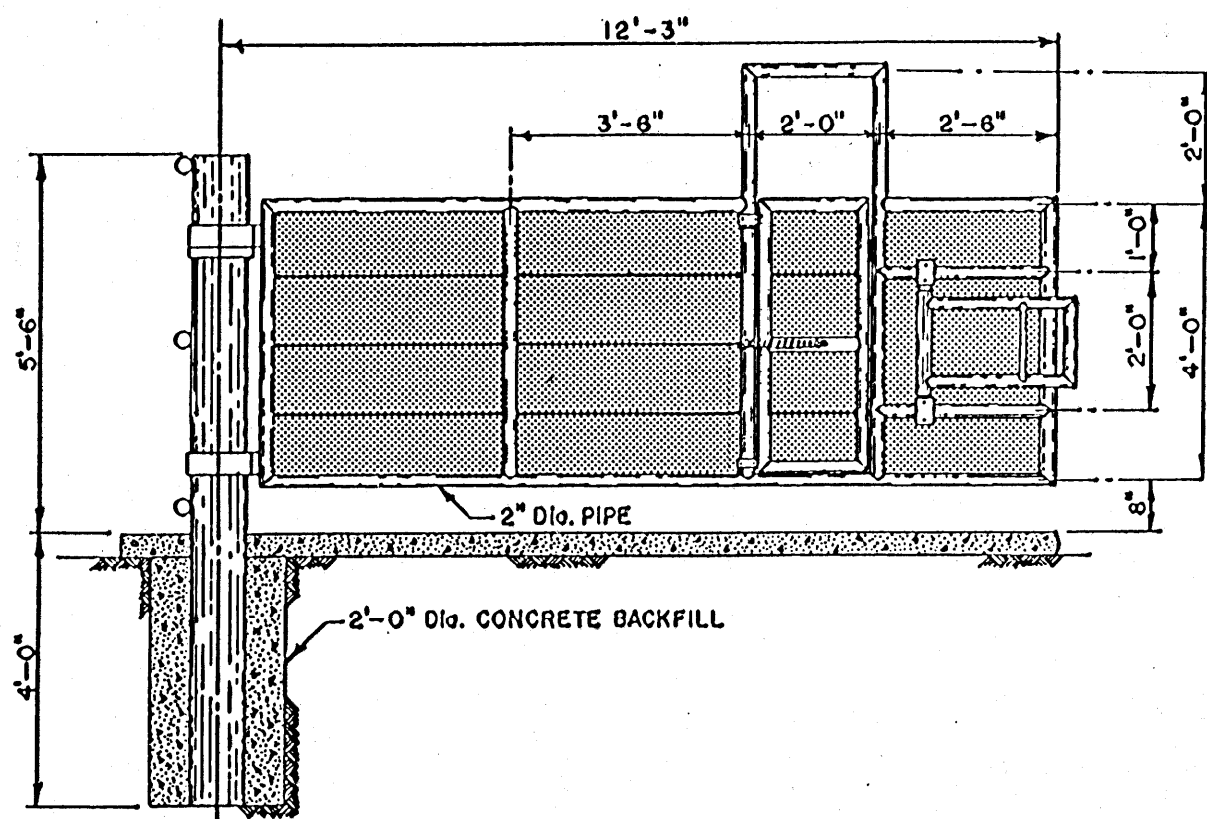
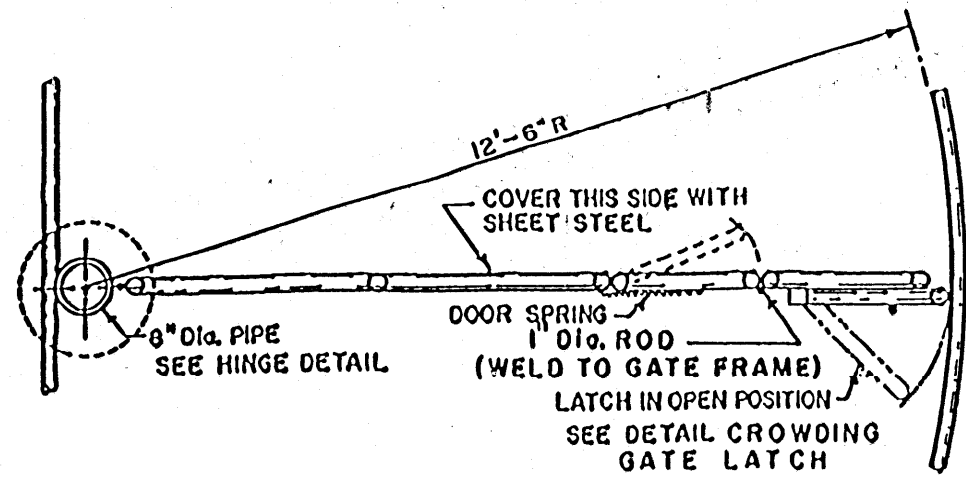
DRAWINGS NOT TO SCALE

COOPERATIVE EXTENSION SERVICE
 AGRICULTURE AND HOME ECONOMICS
 STATE OF MISSISSIPPI
 MISSISSIPPI STATE UNIVERSITY
 AND
 UNITED STATES DEPARTMENT OF AGRICULTURE COOPERATING

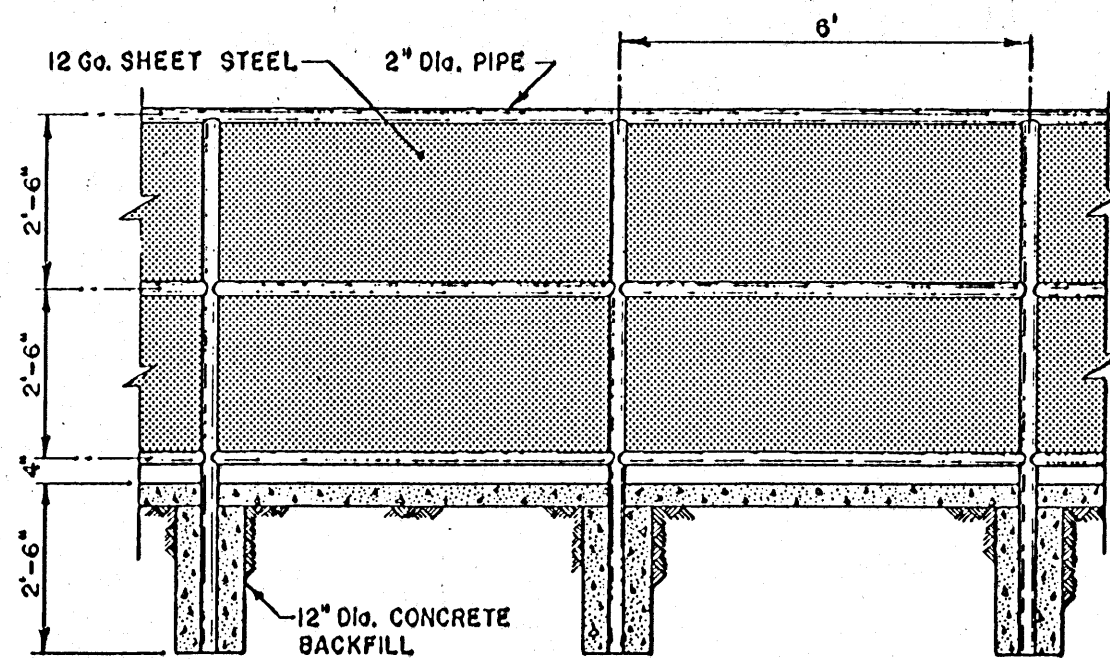
CORRALS
 WITH WORKING FACILITIES

OK'75 6230 SHEET 1 OF 3

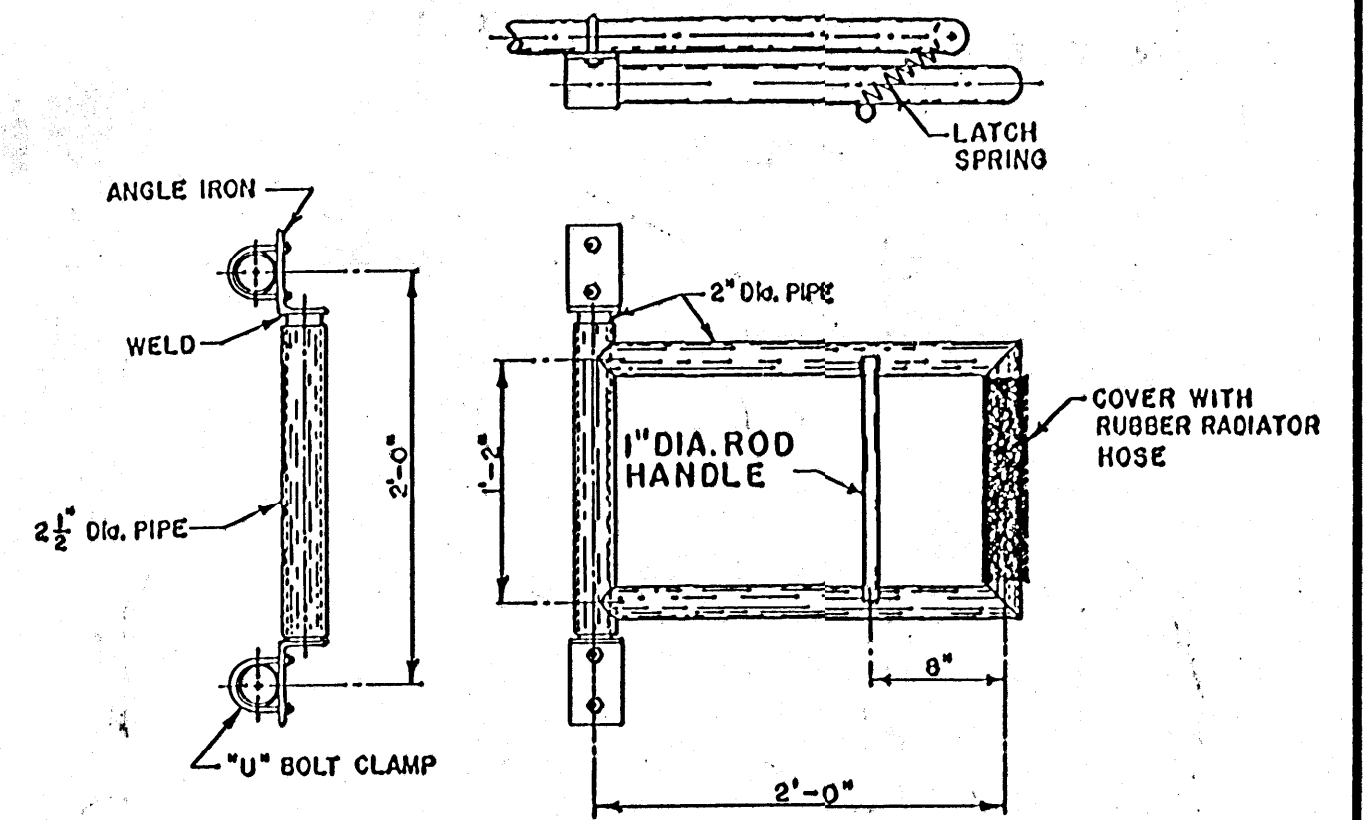
REV'86



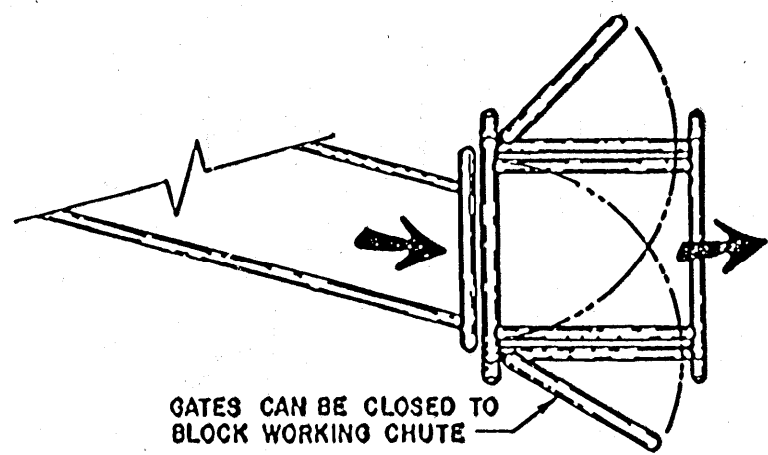
CROWDING GATE DETAILS



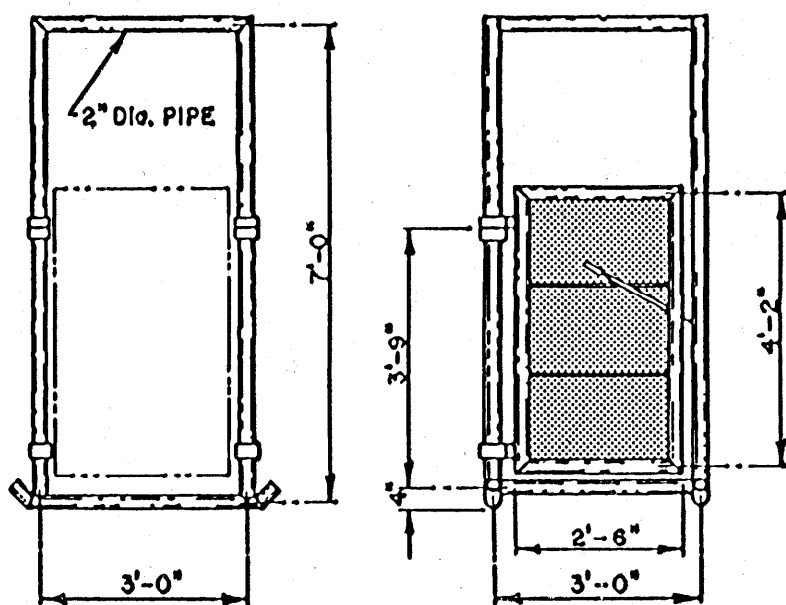
CROWDING AREA FENCE



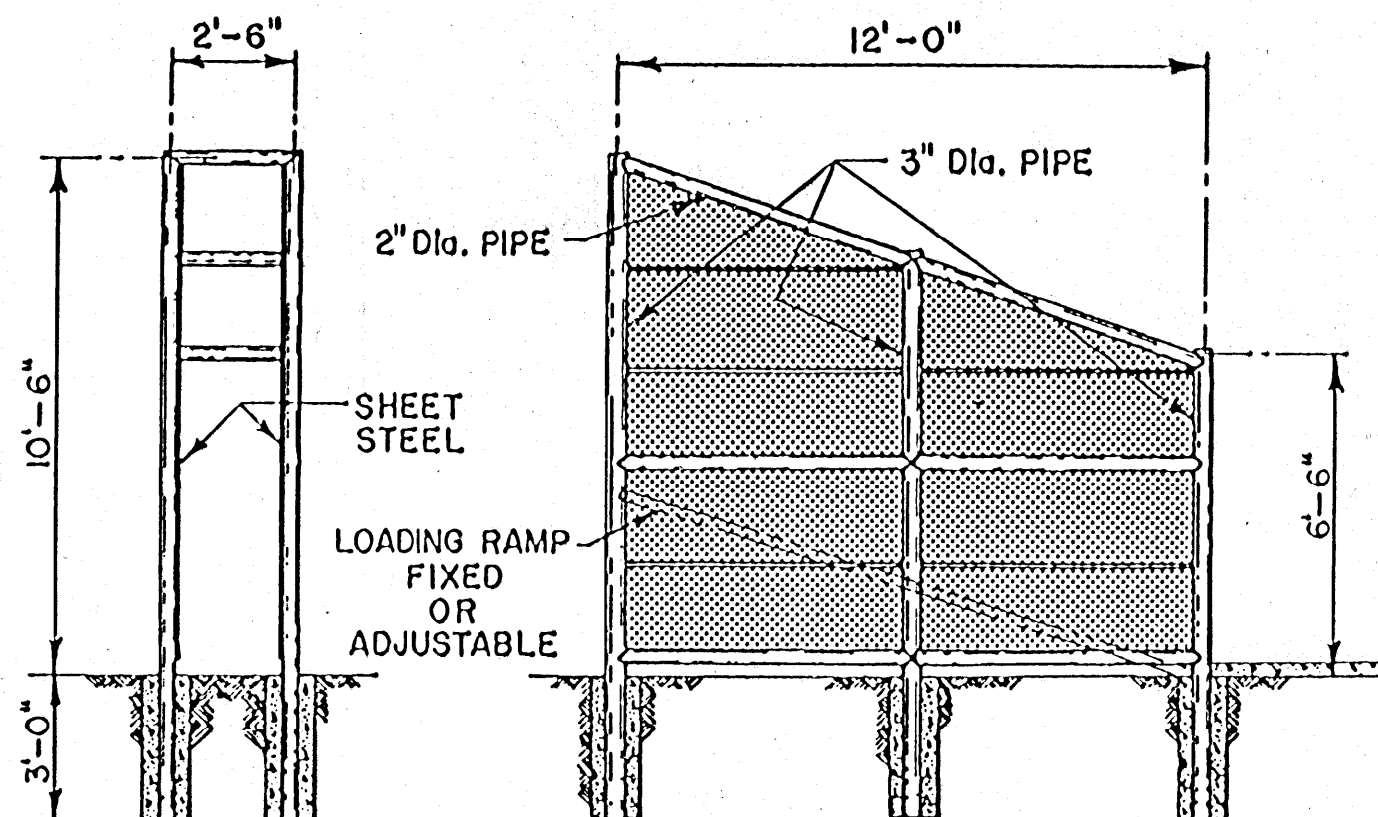
CROWDING GATE LATCH DETAIL



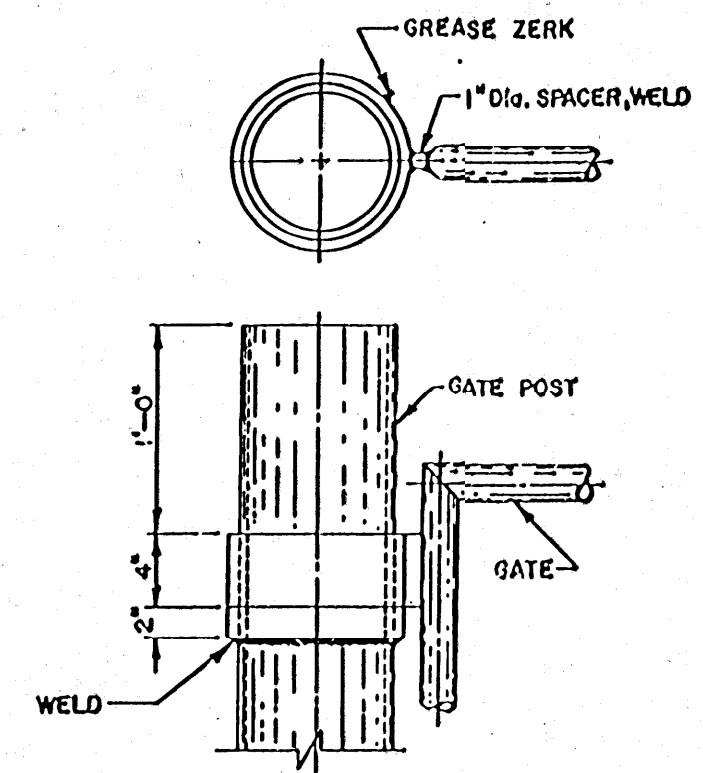
GATES CAN BE CLOSED TO BLOCK WORKING CHUTE



PALPATION CAGE



LOADING CHUTE ELEVATIONS



CROWDING GATE HINGE DETAIL

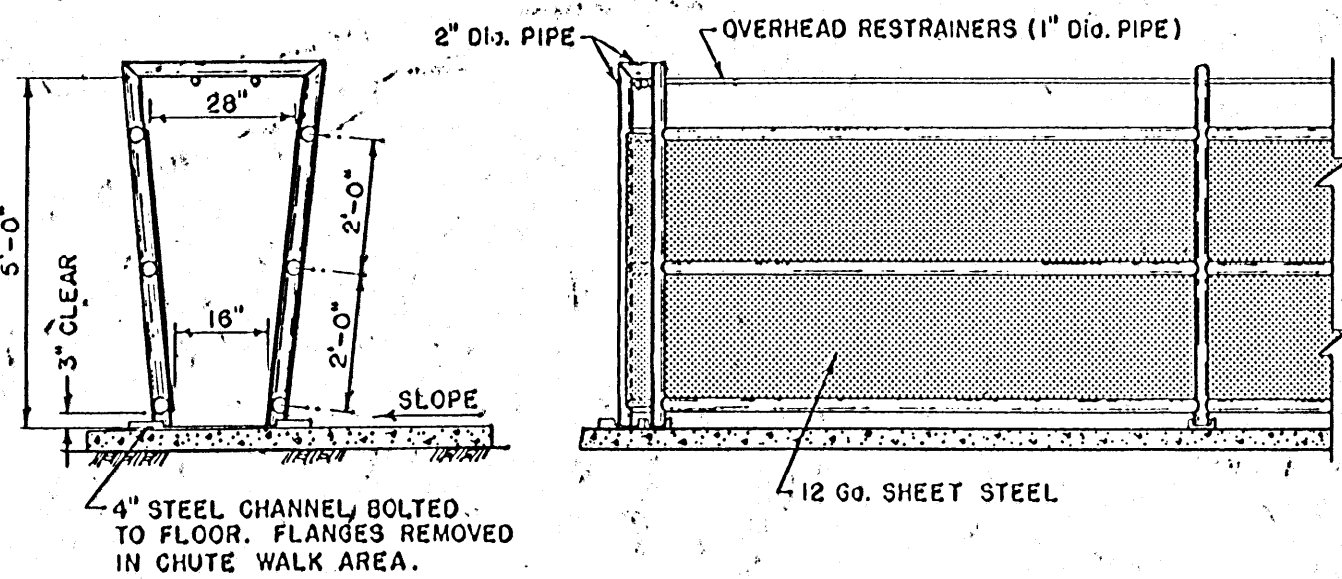
DRAWINGS NOT TO SCALE

COOPERATIVE EXTENSION SERVICE
 AGRICULTURE AND HOME ECONOMICS
 STATE OF MISSISSIPPI
 MISSISSIPPI STATE UNIVERSITY
 AND
 UNITED STATES DEPARTMENT OF AGRICULTURE COOPERATING

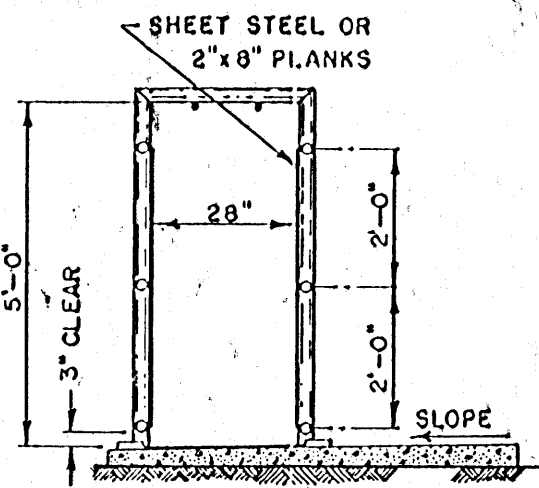
**CORRALS
 WITH WORKING FACILITIES**

OK'75 6230 SHEET 2 OF 3

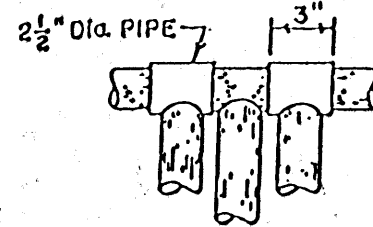
REV'86



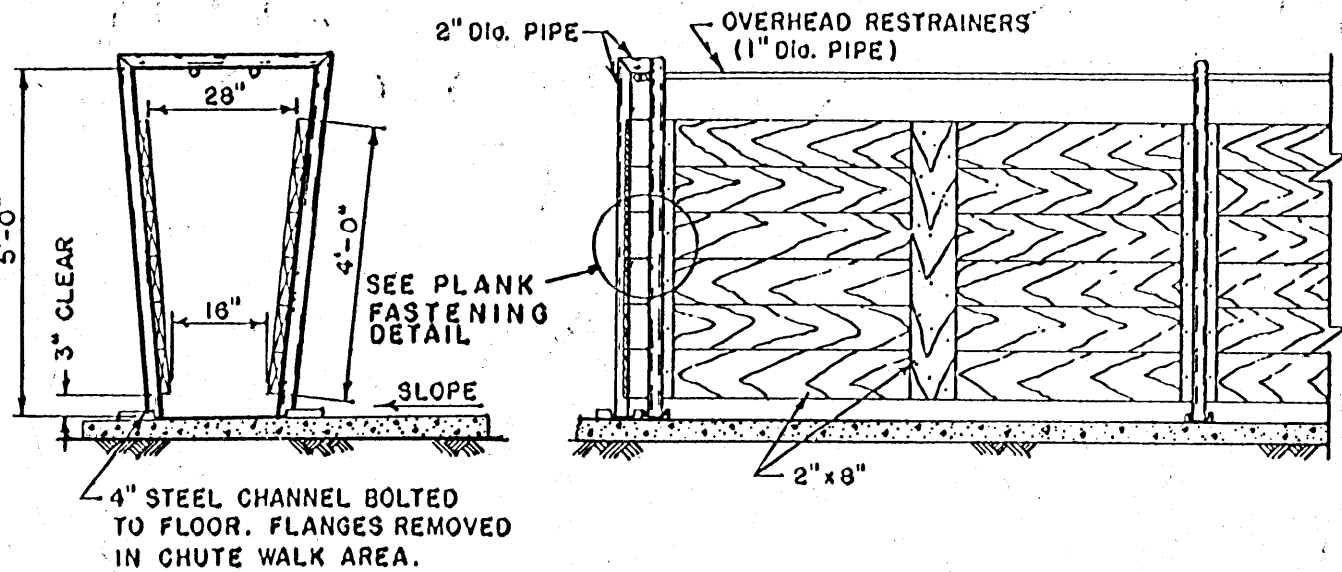
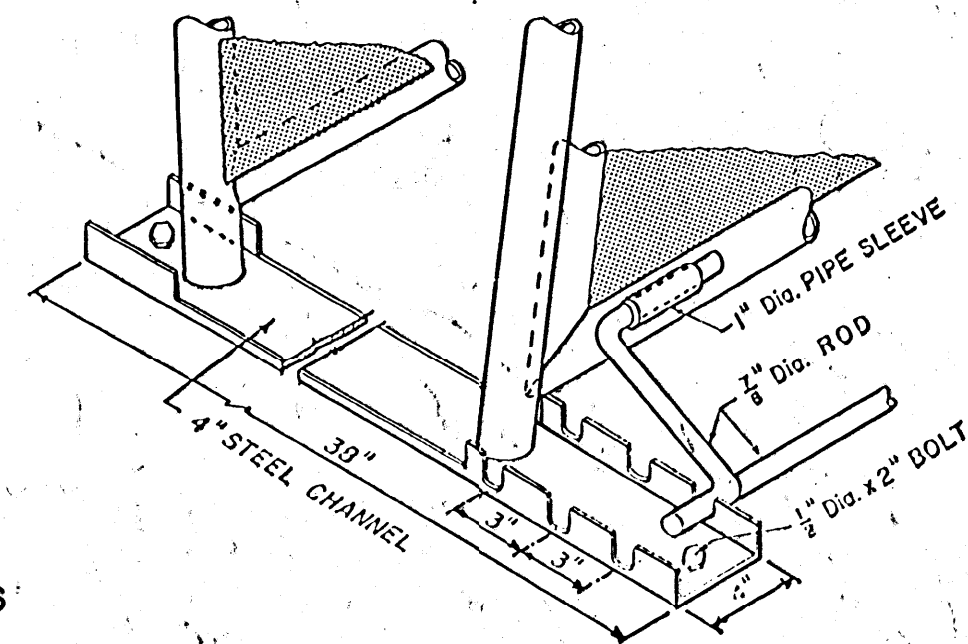
PIPE & SHEET STEEL



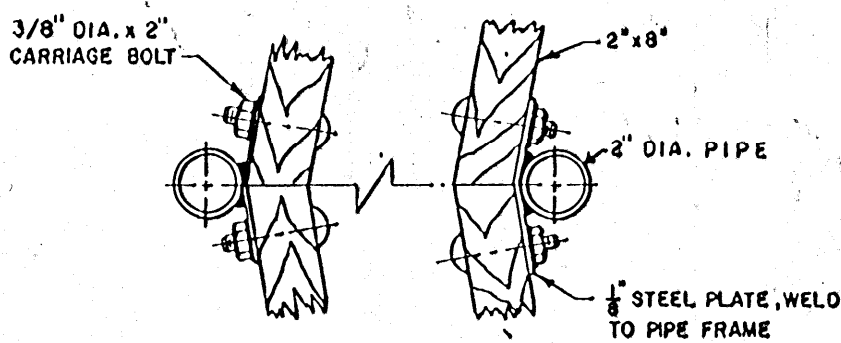
ALTERNATE CONSTRUCTION FOR STATIONARY WORKING CHUTE



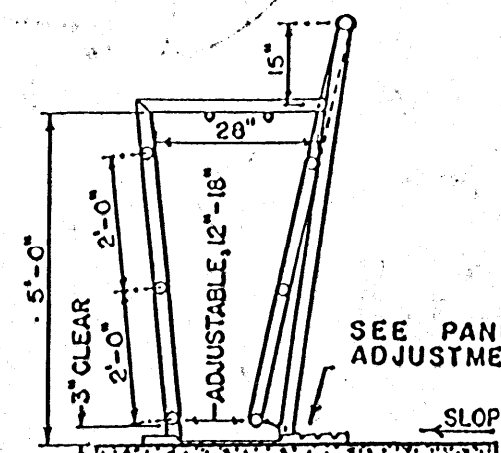
PANEL SUPPORT HINGES



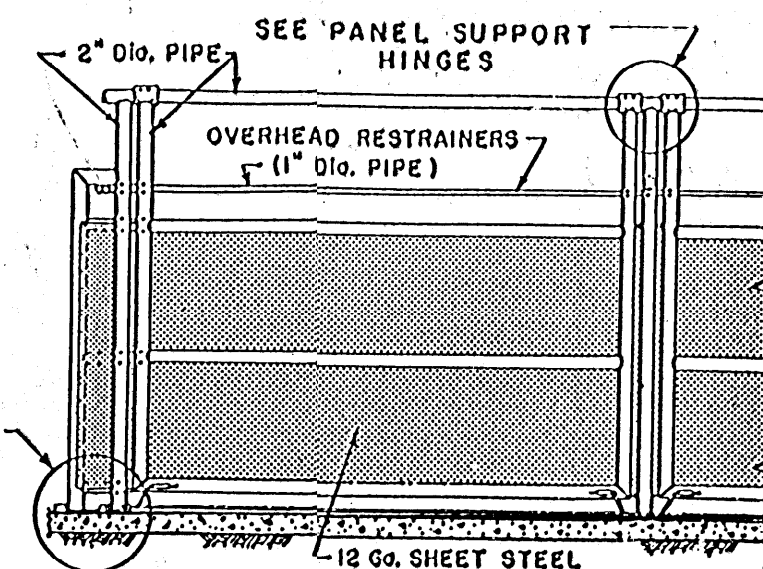
PIPE & PLANK



PLANK FASTENING DETAIL



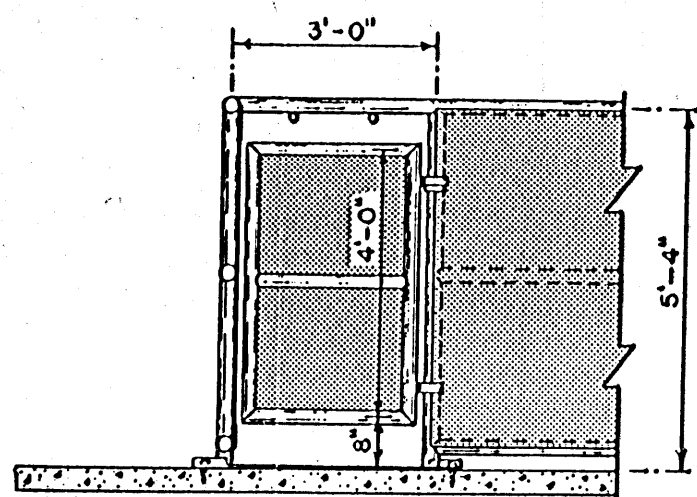
NOTE: AT WIDEST SETTING (18"), ADJUSTABLE PANEL IS FLUSH WITH STATIONARY PIPE SUPPORT.



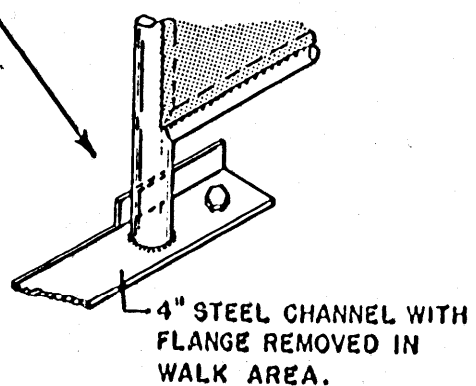
PIPE & SHEET STEEL

STATIONARY WORKING CHUTE

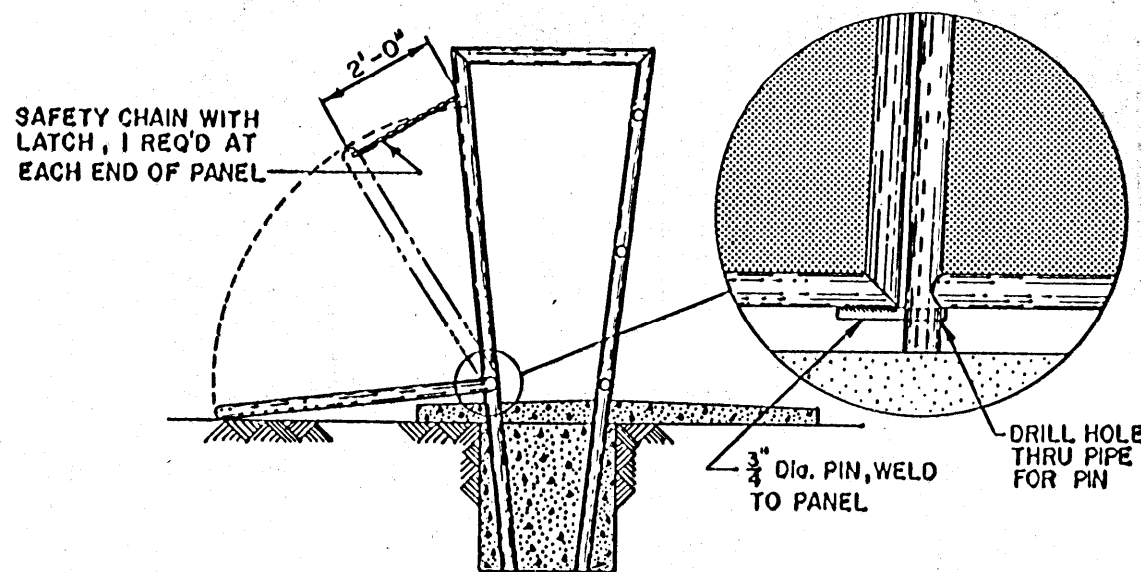
ADJUSTABLE WORKING CHUTE



WORKING CHUTE ENTRANCE



4" STEEL CHANNEL WITH FLANGE REMOVED IN WALK AREA.



EMERGENCY SIDE EXIT

DRAWINGS NOT TO SCALE

COOPERATIVE EXTENSION SERVICE
AGRICULTURE AND HOME ECONOMICS
STATE OF MISSISSIPPI
MISSISSIPPI STATE UNIVERSITY
AND
UNITED STATES DEPARTMENT OF AGRICULTURE COOPERATING

CORRALS
WITH WORKING FACILITIES

OK' 75 | 6230 | SHEET 3 OF 3

REV' 86