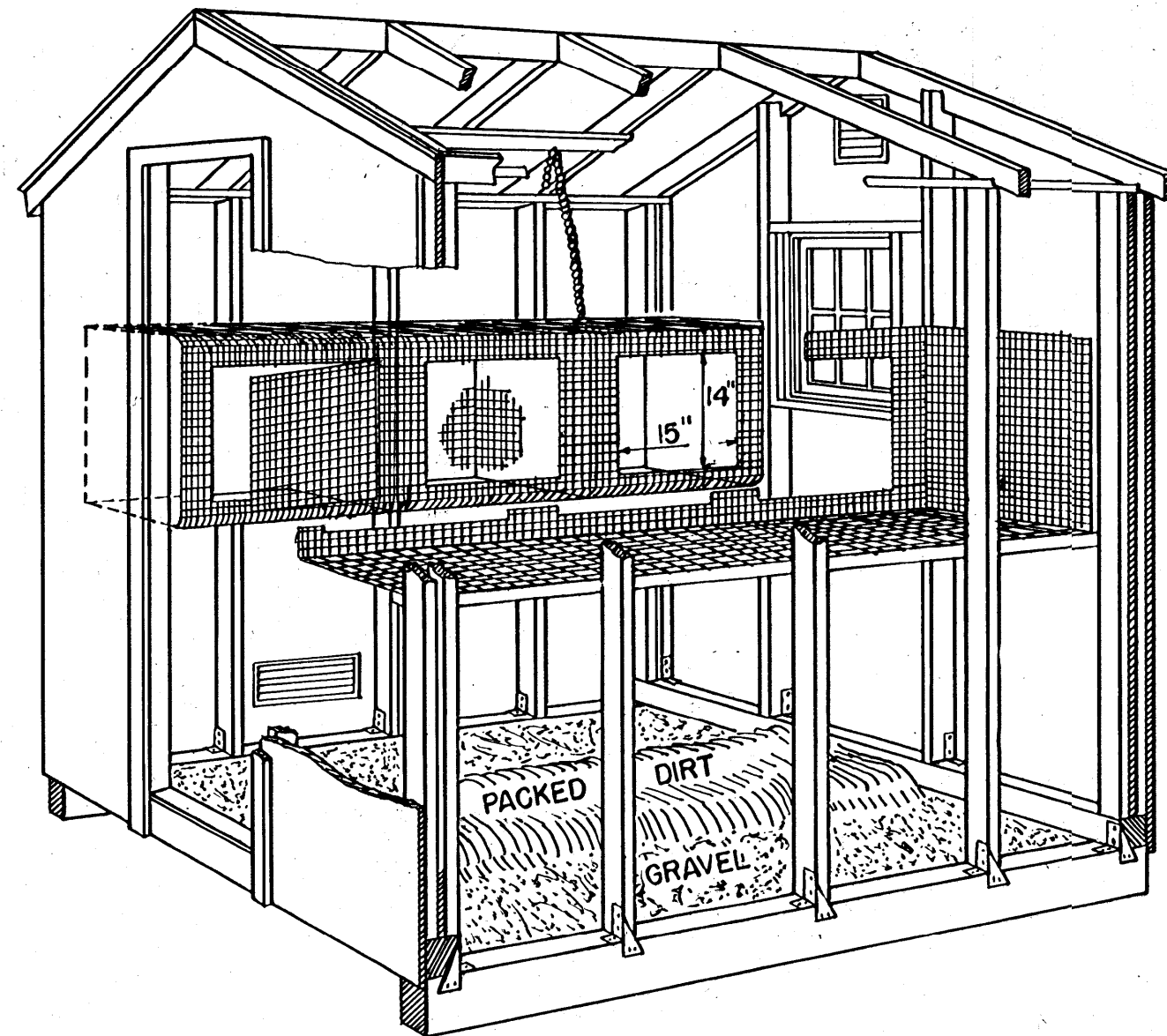
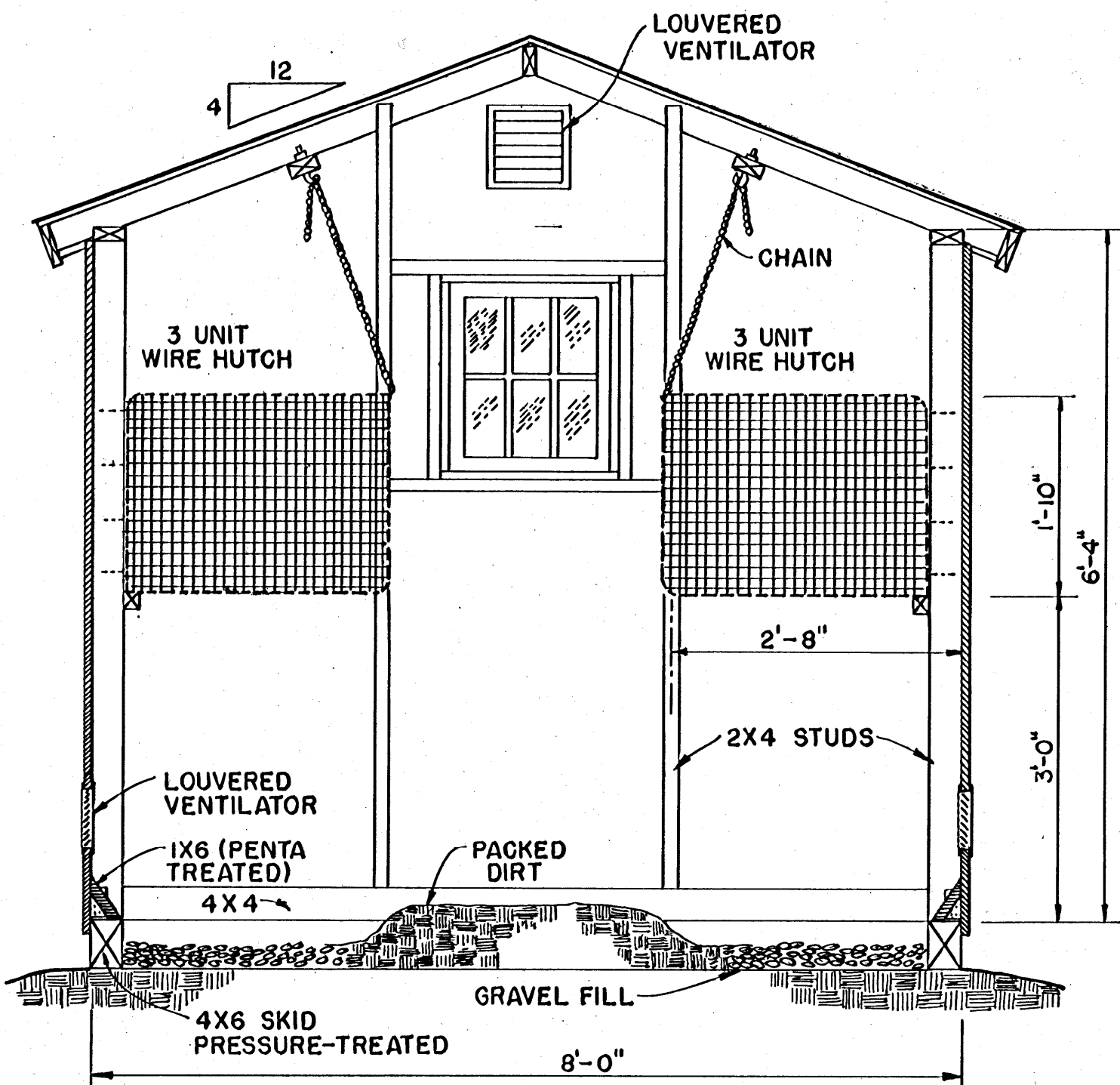


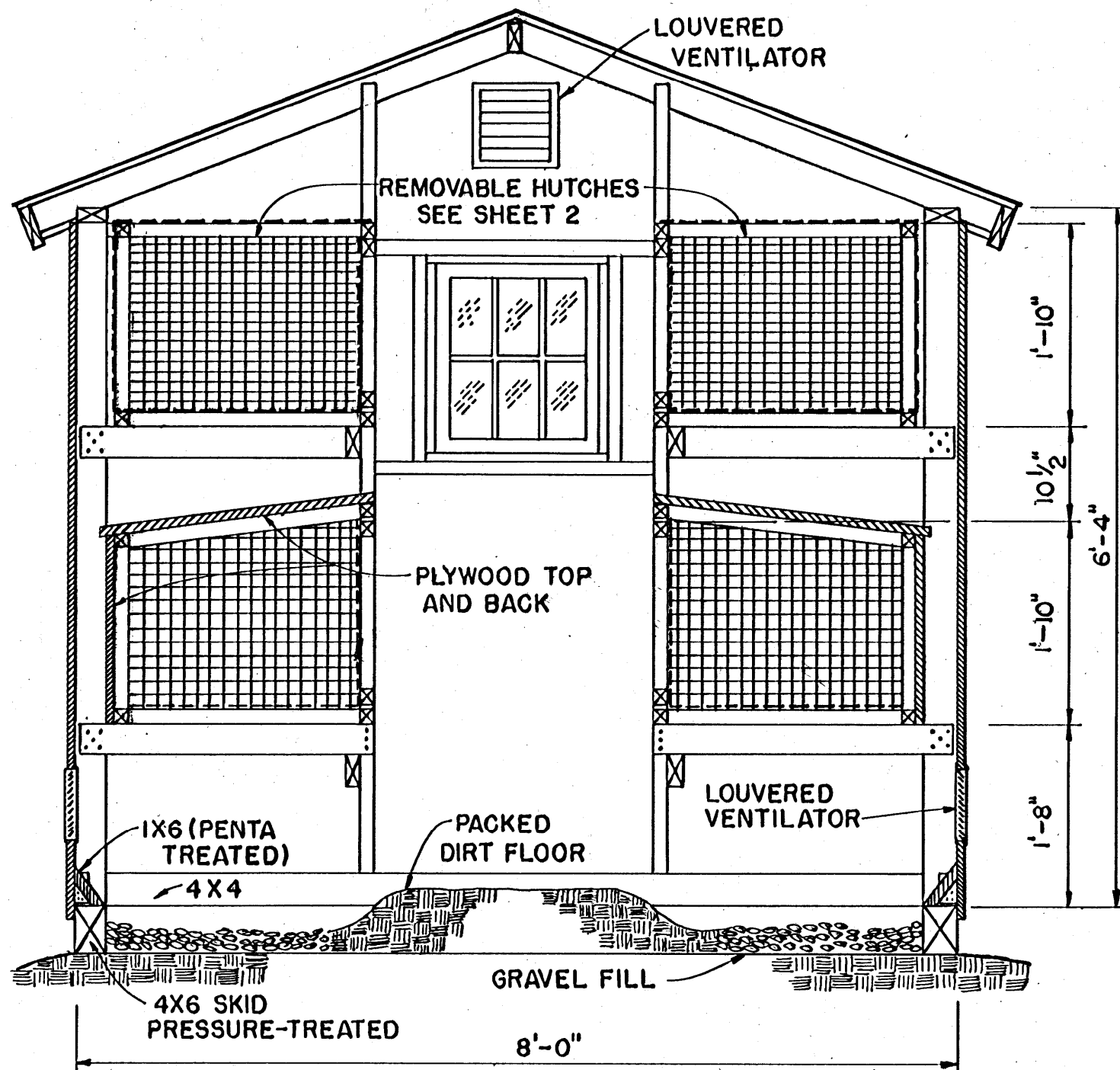
PERSPECTIVE OF RABBIT HOUSE



CUTAWAY VIEW OF 8'X8' RABBIT HOUSE
SINGLE DECK WIRE FLOOR HUTCH.



SECTION
SINGLE DECK WIRE FLOOR HUTCH



SECTION
DOUBLE DECK WIRE FLOOR HUTCH

NOTE:
BASED ON: UNIV. OF WISCONSIN
PLAN NO. WP 5706.
CONSULT LOCAL HEALTH AND
BUILDING CODE AUTHORITIES
BEFORE STARTING CONSTRUCTION.



SCALE: 3/4" = 1'-0" UNLESS OTHERWISE NOTED.

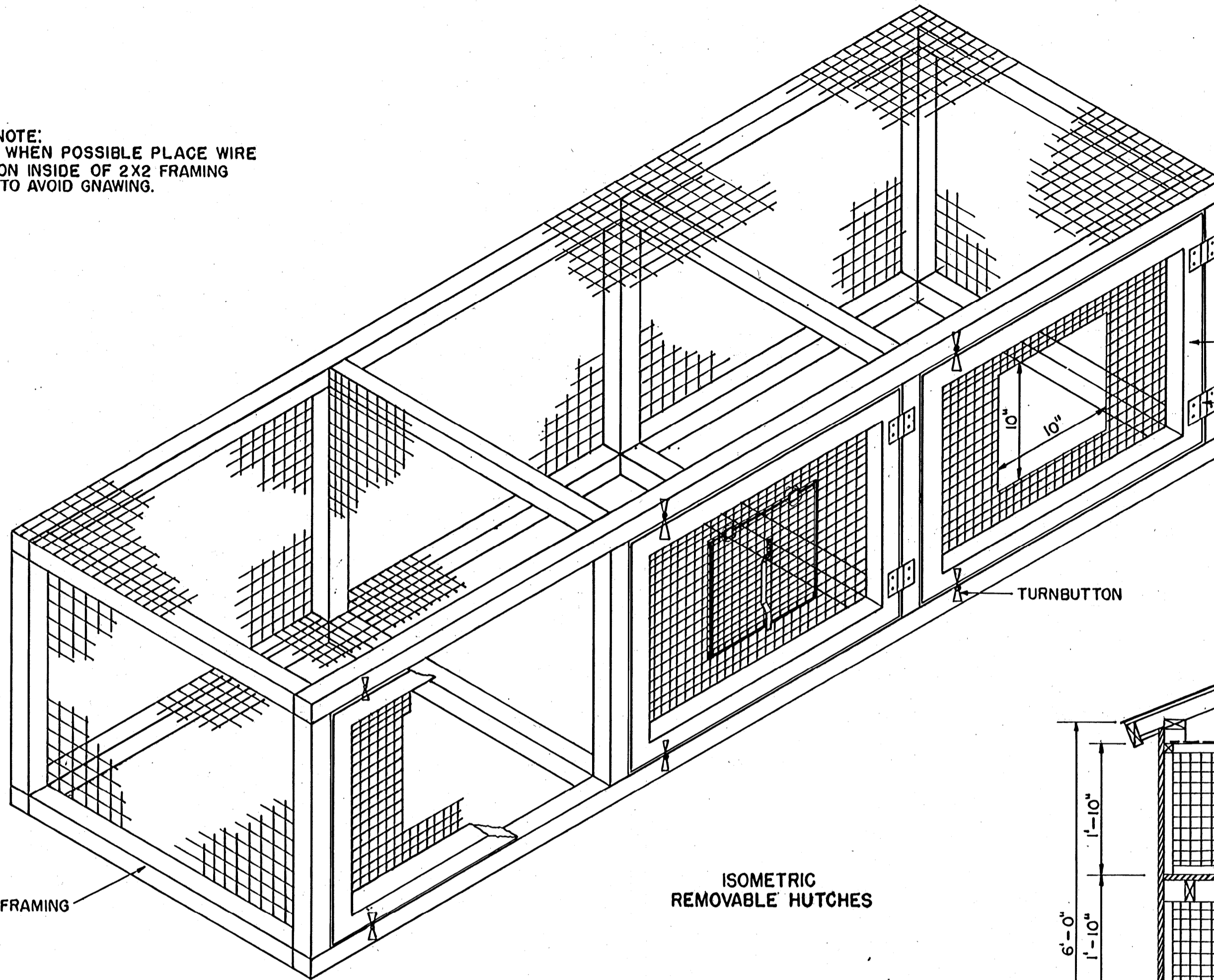
COOPERATIVE EXTENSION WORK IN
AGRICULTURE AND HOME ECONOMICS
STATE OF MISSISSIPPI
MISSISSIPPI STATE UNIVERSITY
AND
UNITED STATES DEPARTMENT OF AGRICULTURE COOPERATING

RABBIT HOUSE

WISC. '75 6233 SHEET 1 OF 2

NOTE:
WHEN POSSIBLE PLACE WIRE
ON INSIDE OF 2X2 FRAMING
TO AVOID GNAWING.

WIRE MESH MATERIAL
HUTCH TOP - 1" X 2" X 16 GAGE
HUTCH SIDE - 1" X 1" X 14 GAGE
HUTCH FLOOR -
1/2" X 1/2" X 14 GAGE (SMALL BREEDS)
5/8" X 5/8" OR 1/2" X 1" X 14 GAGE (LARGER BREEDS)

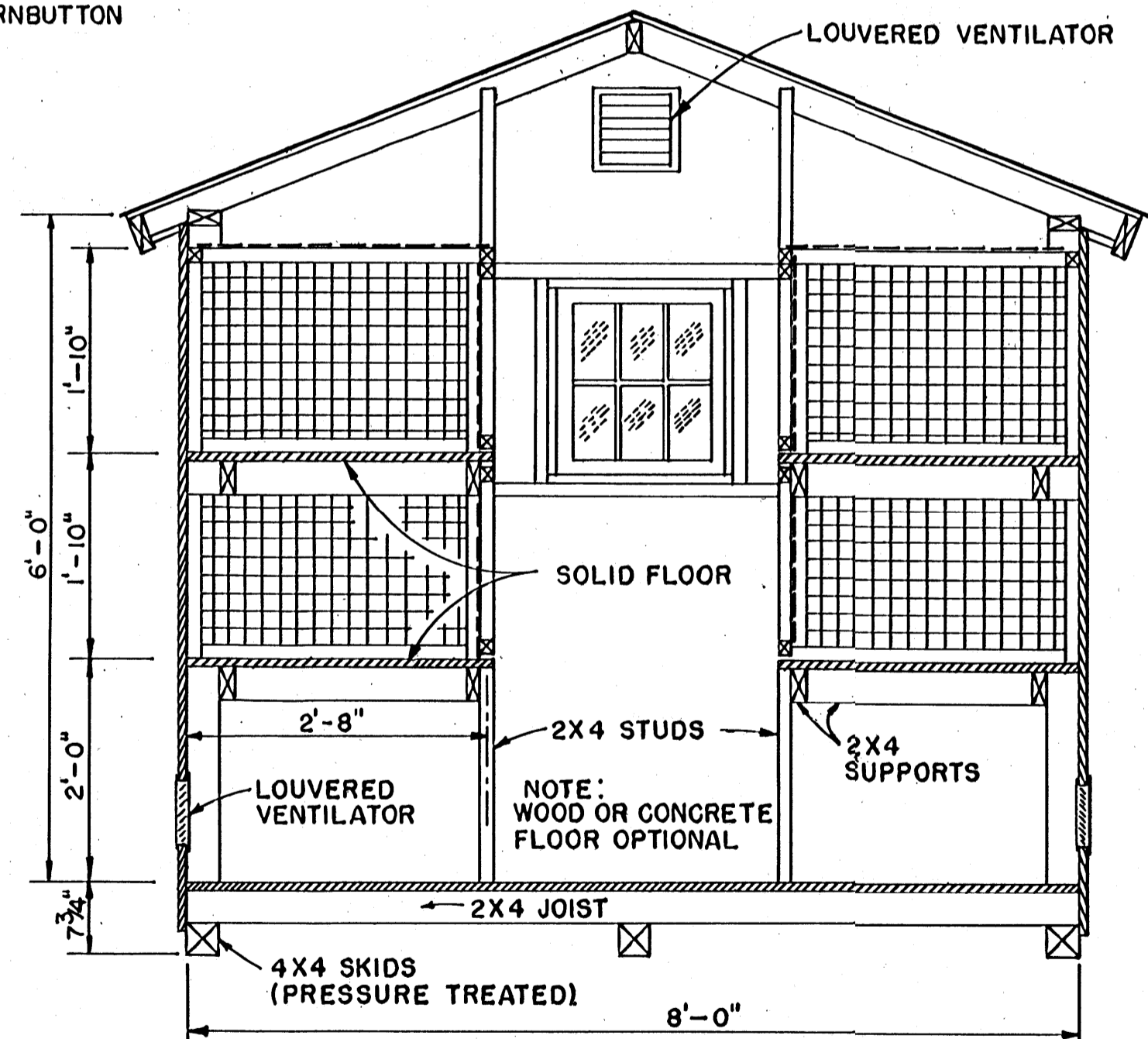


DOOR OPENING MAKE 1"
FOLD TOP & BOTTOM

LOOSE PIN HINGES FOR
OPENING FRONT AS A DOOR
OR TO REMOVE FRONT.

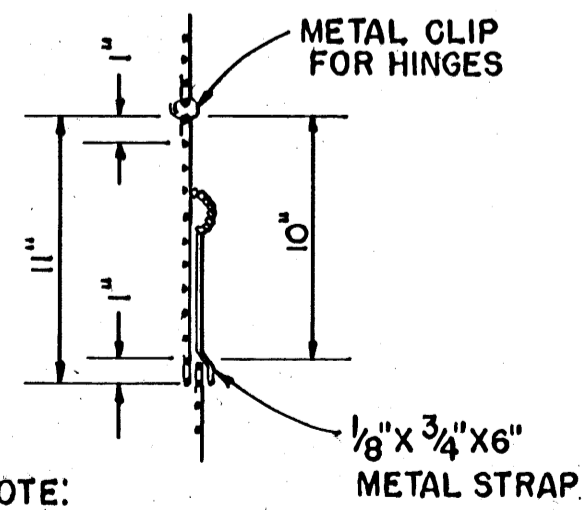
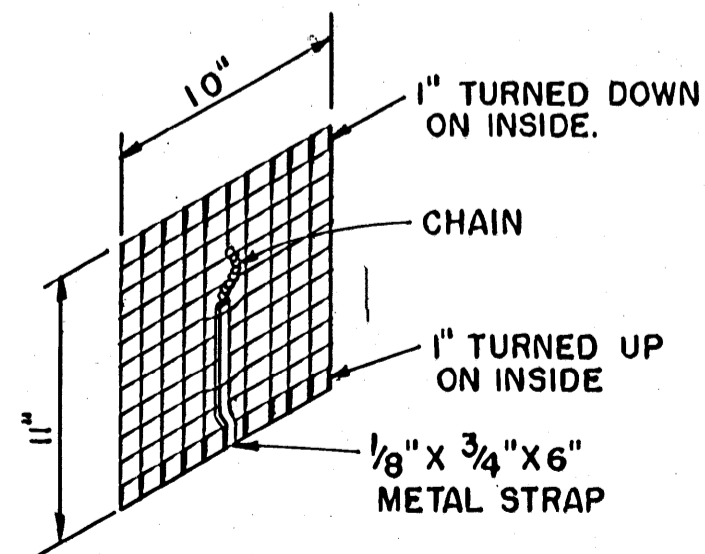
TURNBUTTON

LOUVERED VENTILATOR



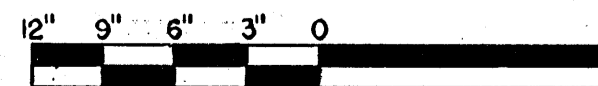
SECTION
DOUBLE DECK SOLID
FLOOR HUTCH

SCALE: 3/4" = 1'-0"
12" 6" 0 1'



NOTE:
DOOR IS INSIDE FRONT
SWING DOOR IN AND UP

DOOR DETAILS



SCALE: 1 1/2" = 1'-0" UNLESS OTHERWISE NOTED.

COOPERATIVE EXTENSION WORK IN
AGRICULTURE AND HOME ECONOMICS
STATE OF MISSISSIPPI
MISSISSIPPI STATE UNIVERSITY
AND
UNITED STATES DEPARTMENT OF AGRICULTURE COOPERATING

RABBIT HOUSE

WISC. '75 6233 SHEET 2 OF 2