

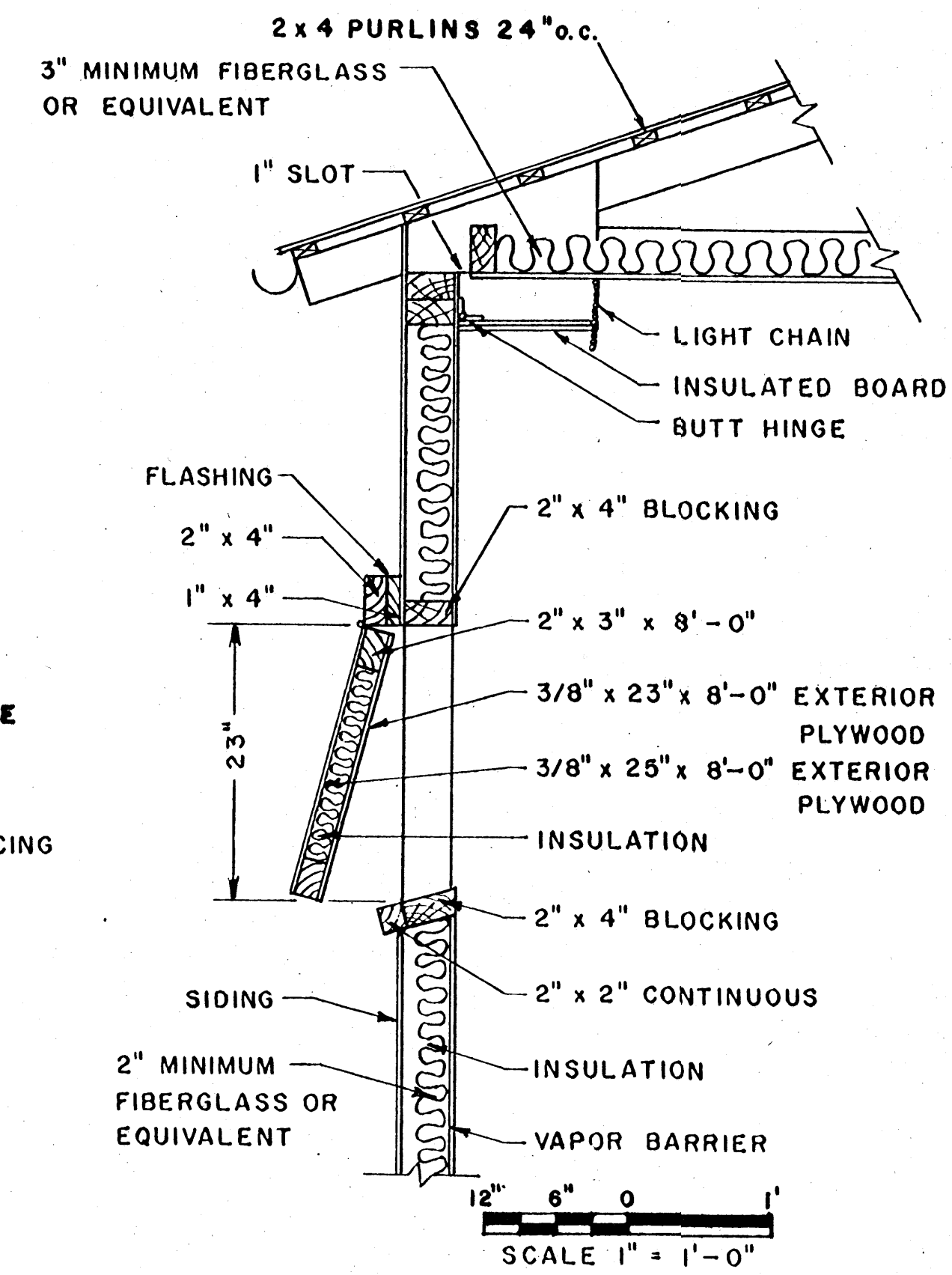
EXTEND FOOTINGS TO FIRM BASE BELOW FROST LINE

DUNGING GUTTERS, 2" x 2" OAK, PLASTIC OR METAL SLATS 1" SPACING, COVER DURING FARROWING WITH PLYWOOD OR EXPANDED METAL MESH.

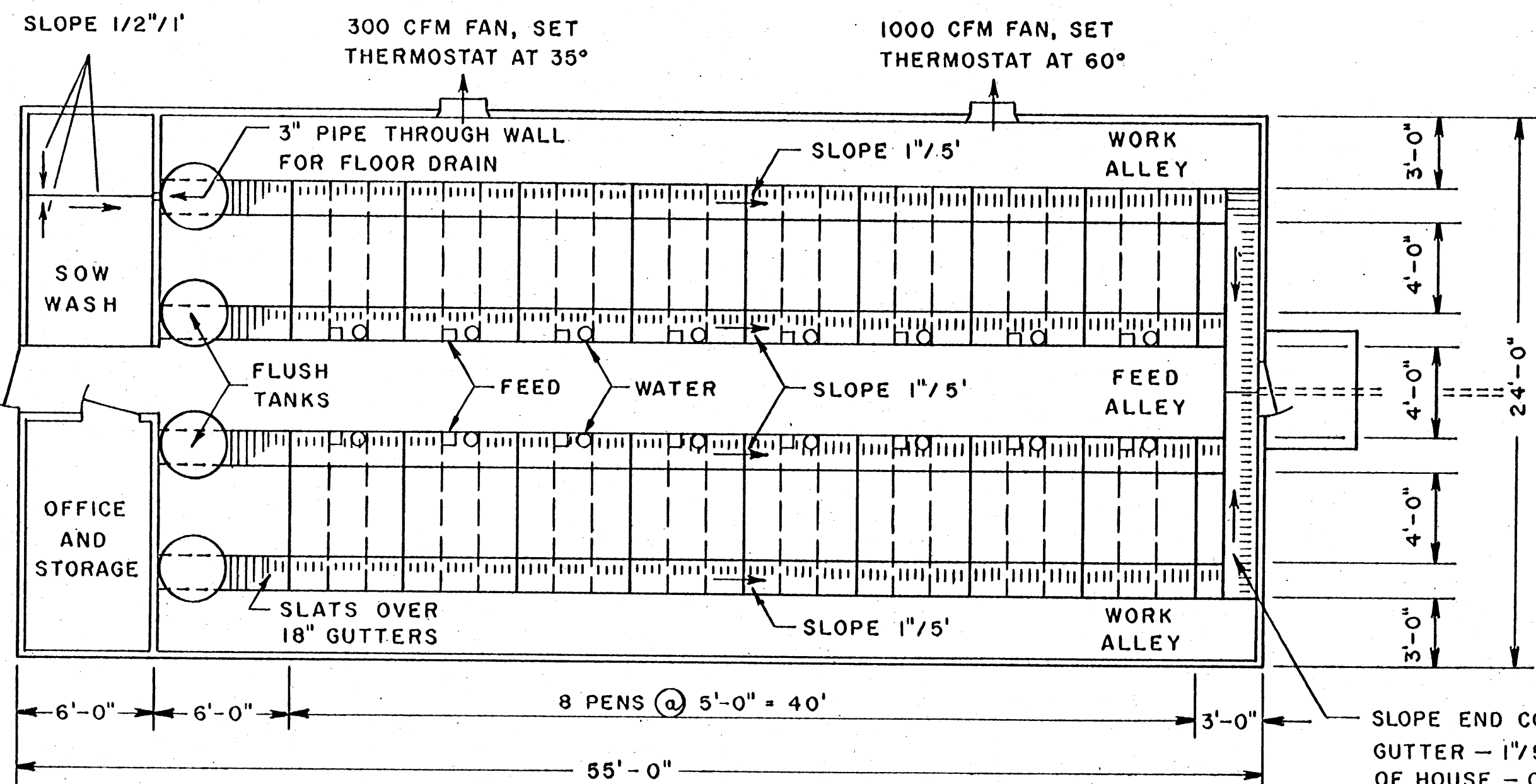
FEEDING GUTTERS, SLATS 3/8" SPACING - MINIMUM GUTTER DEPTH = 8".

SCALE 3/8" = 1'-0"  
12" 0 1' 2'

SECTION



WALL SECTION



NOTE: CONSULT LOCAL HEALTH AND BUILDING CODE AUTHORITIES BEFORE STARTING CONSTRUCTION

12" 0 1' 2' 3' 4'  
SCALE 3/16" = 1'-0"

BASED ON: UNIV. OF MD. PLAN 75-1-5

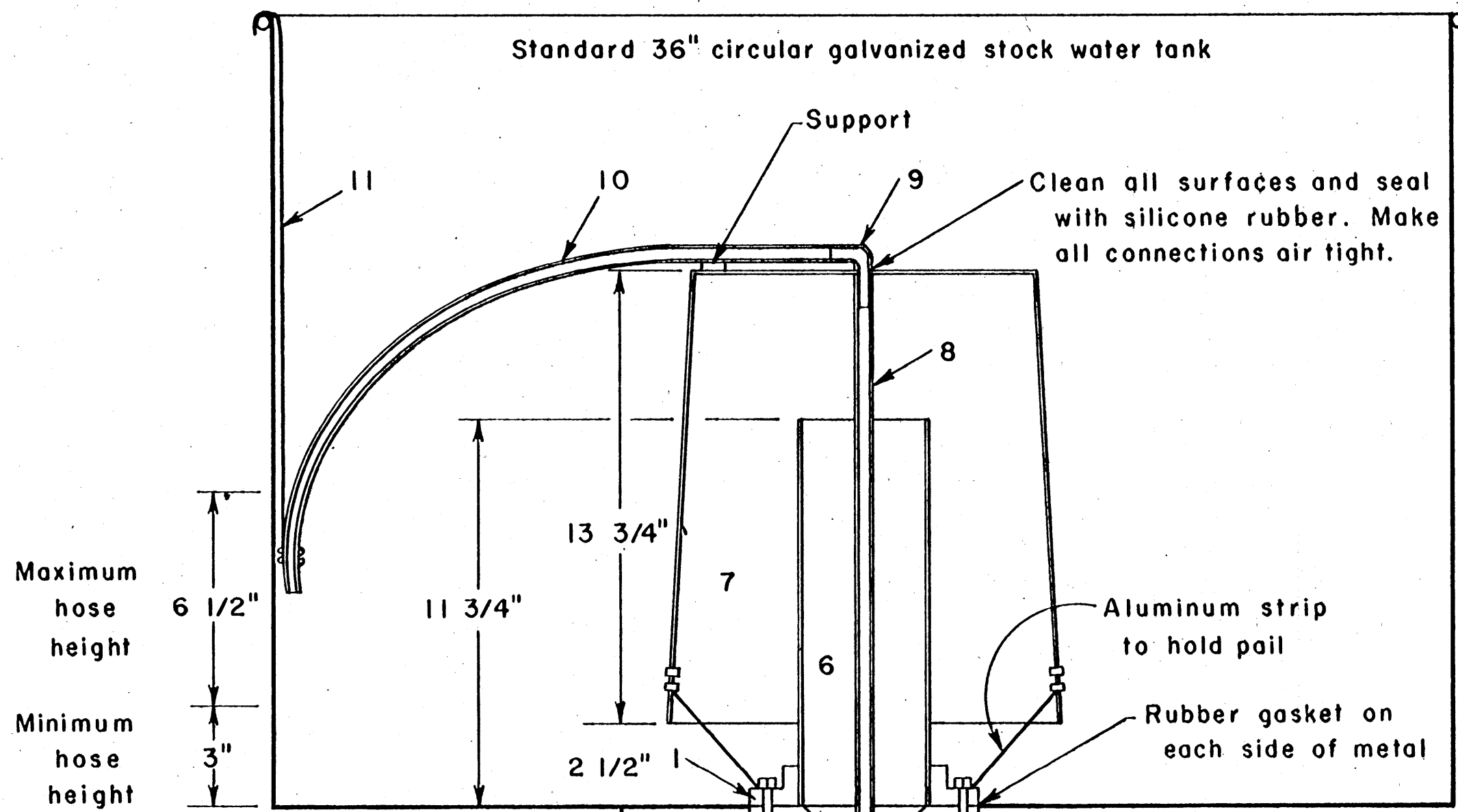
SLOPE END COLLECTION GUTTER - 1/5" TO CENTER OF HOUSE - COVER WITH SLATS.

FLOOR PLAN

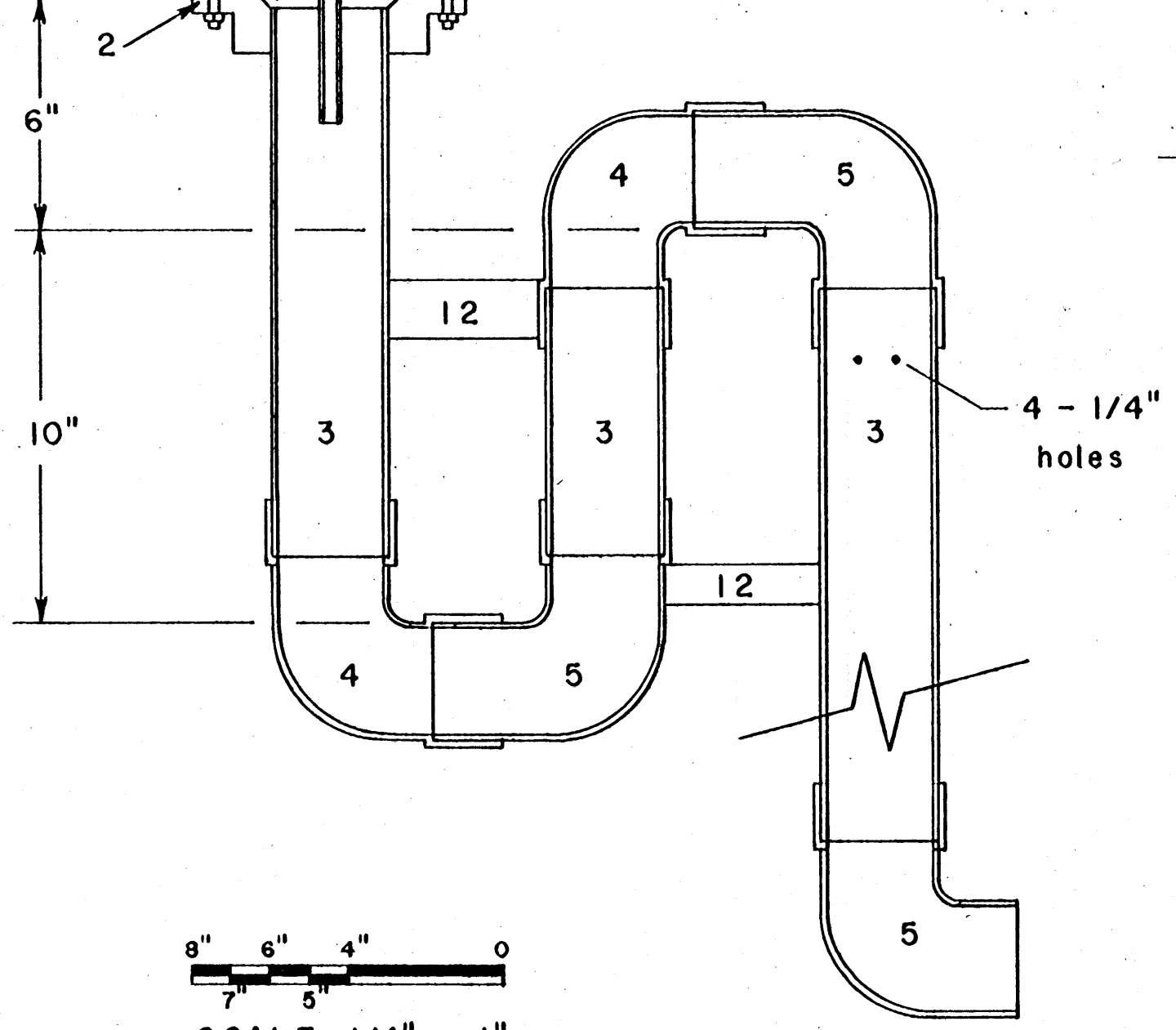
COOPERATIVE EXTENSION WORK IN AGRICULTURE AND HOME ECONOMICS  
STATE OF MISSISSIPPI  
MISSISSIPPI STATE UNIVERSITY  
AND UNITED STATES DEPARTMENT OF AGRICULTURE COOPERATING

**FARROWING HOUSE**

MD. '76	6239	SHEET 1 OF 2
---------	------	--------------

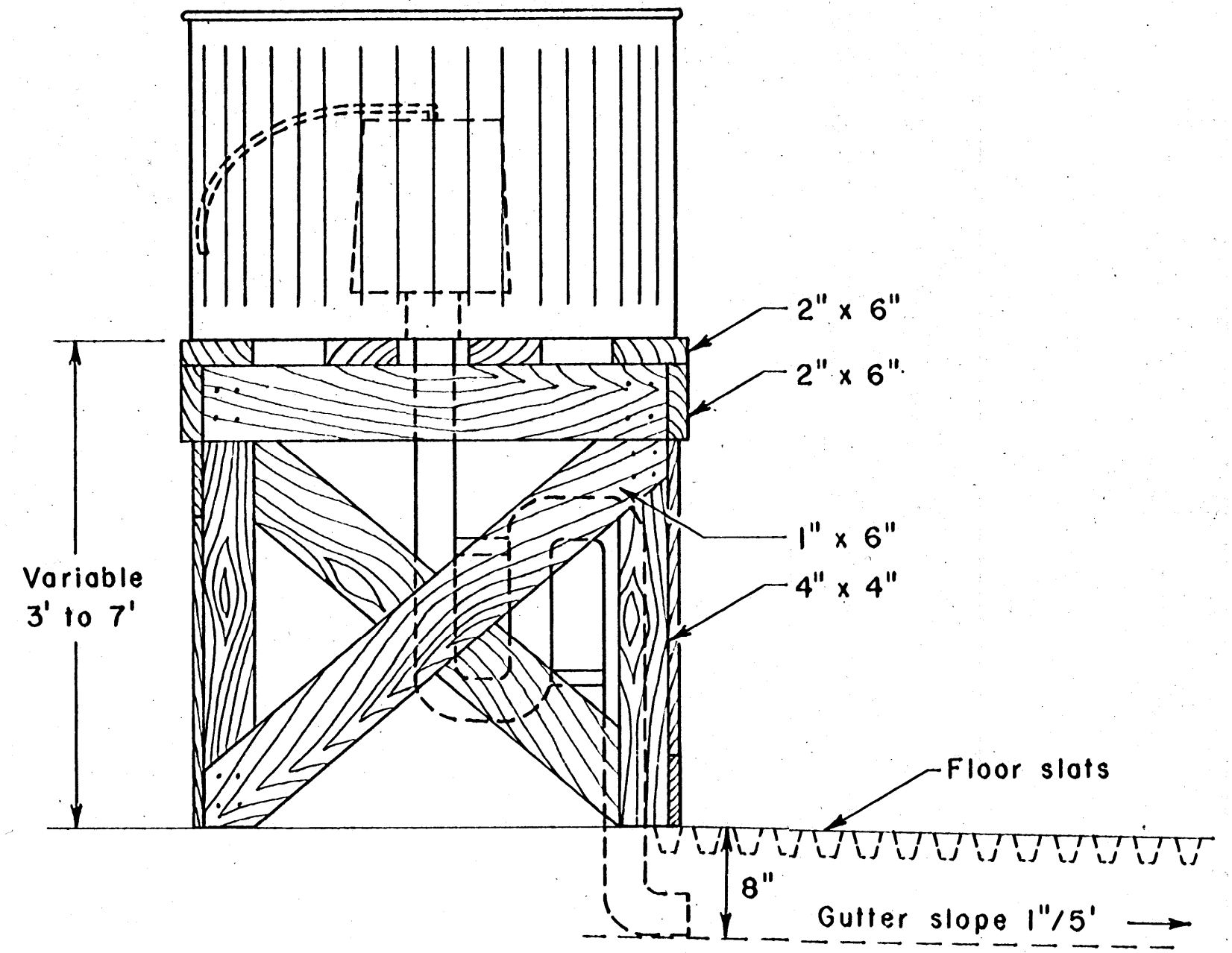


- 1. 4" closet flange PVC
- 2. 4" x 3" reducing closet flange PVC
- 3. 3" pipe PVC
- 4. 3" 90° long elbow PVC
- 5. 3" 90° long elbow single socket PVC
- 6. 4" pipe PVC
- 7. 5 gallon plastic pail
- 8. 1/2" pipe PVC
- 9. 1/2" insert elbow PVC
- 10. 1/2" garden hose
- 11. Adjustable wire hanger
- 12. Scrap PVC stiffener supports



8" 6" 4" 0  
7" 5" 1"  
SCALE 1/4" = 1"

**SIPHON DETAIL**



SCALE 3/32" = 1"  
12" 8" 4" 0

**FLUSH TANK**

Patterned after Iowa State University design, 1970.

**FLUSHING GUTTER MANURE REMOVAL**

COOPERATIVE EXTENSION WORK IN  
**AGRICULTURE AND HOME ECONOMICS**  
 STATE OF MISSISSIPPI  
 MISSISSIPPI STATE UNIVERSITY  
 AND  
 UNITED STATES DEPARTMENT OF AGRICULTURE COOPERATING

**FARROWING HOUSE**

MD. '76	6 2 3 9	SHEET 2 OF 2
---------	---------	--------------