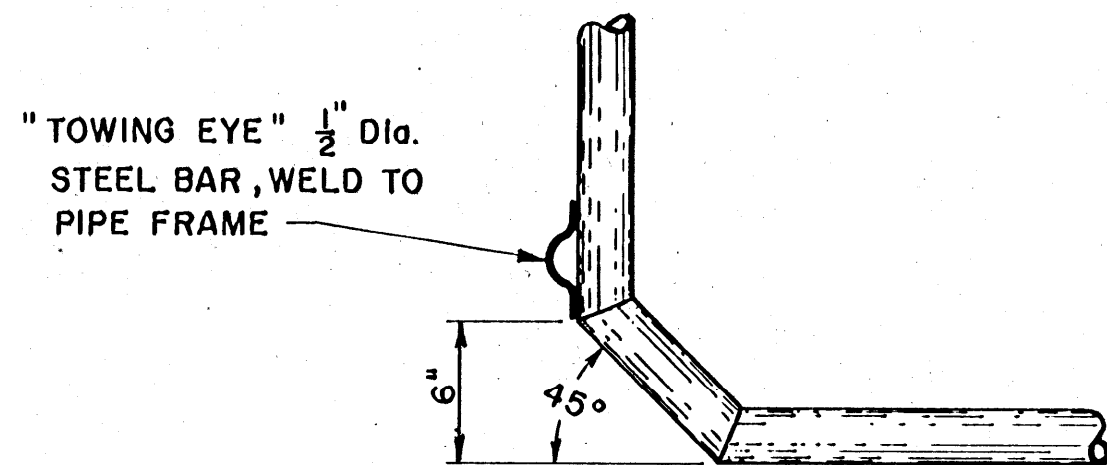
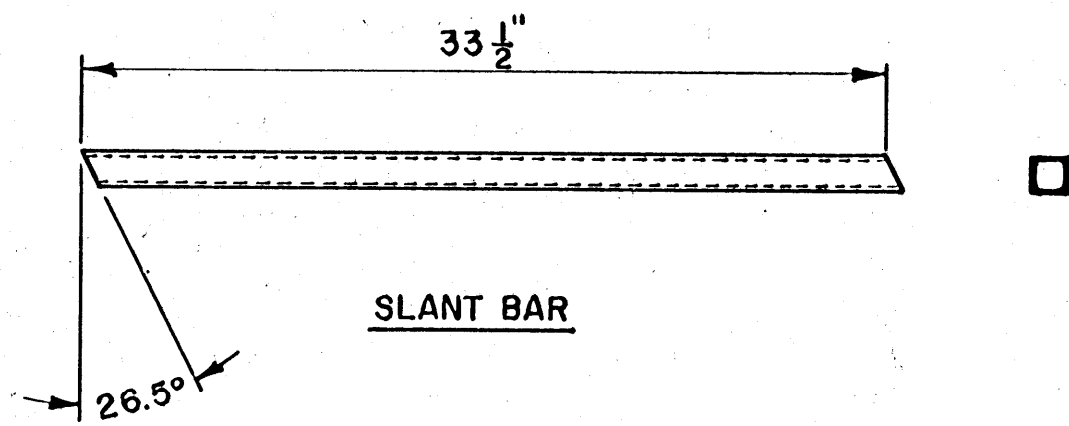
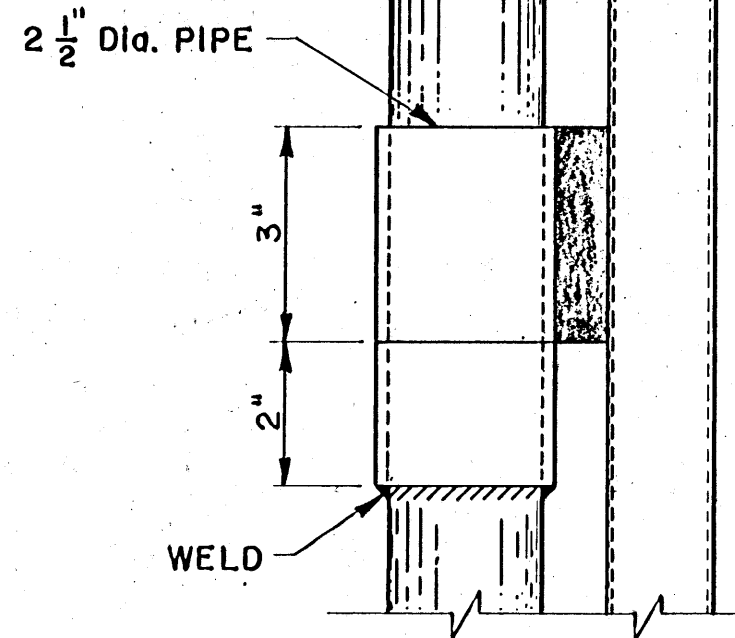
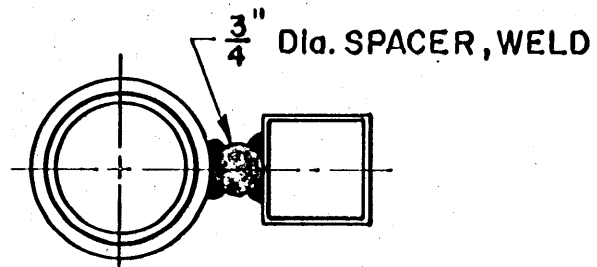


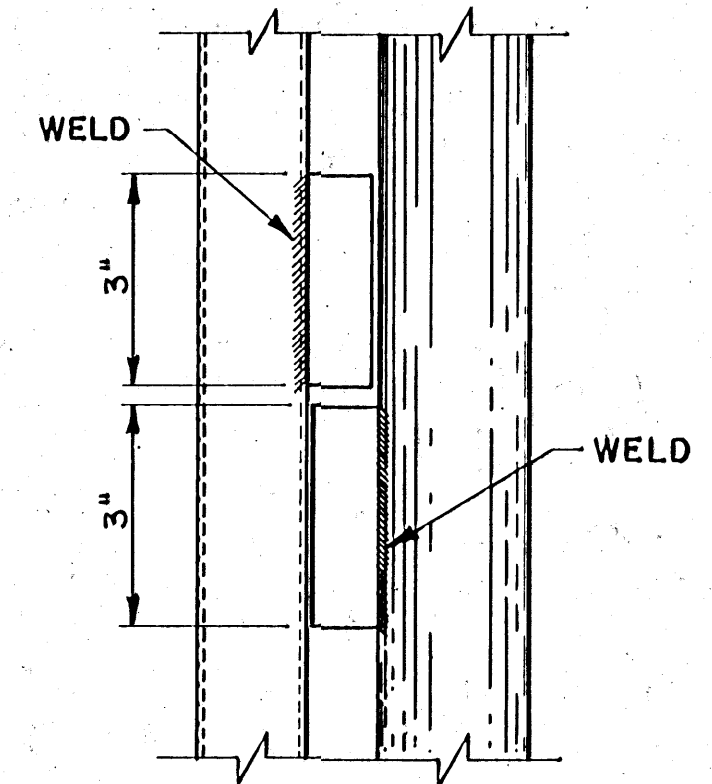
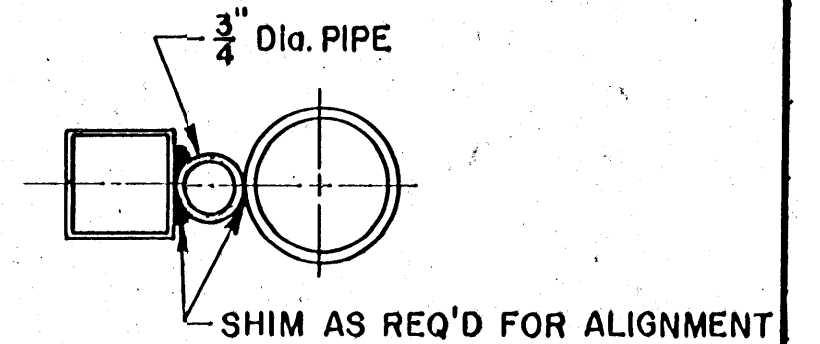
PERSPECTIVE



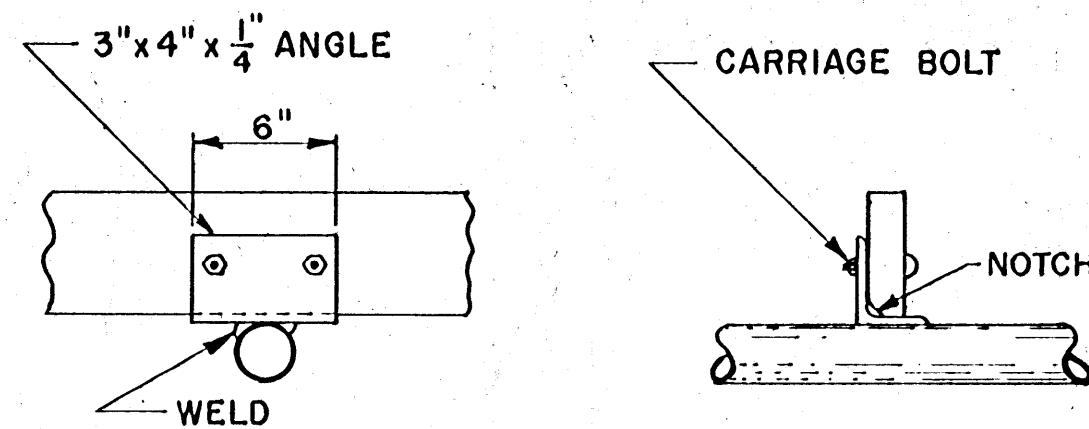
DETAIL "A"  
Scale: 1 1/2" = 1'-0"



HINGE DETAIL "C"  
Scale: 3/8" = 1"  
0 1" 2" 3" 4"



LATCH DETAIL "D"  
Scale: 3/8" = 1"



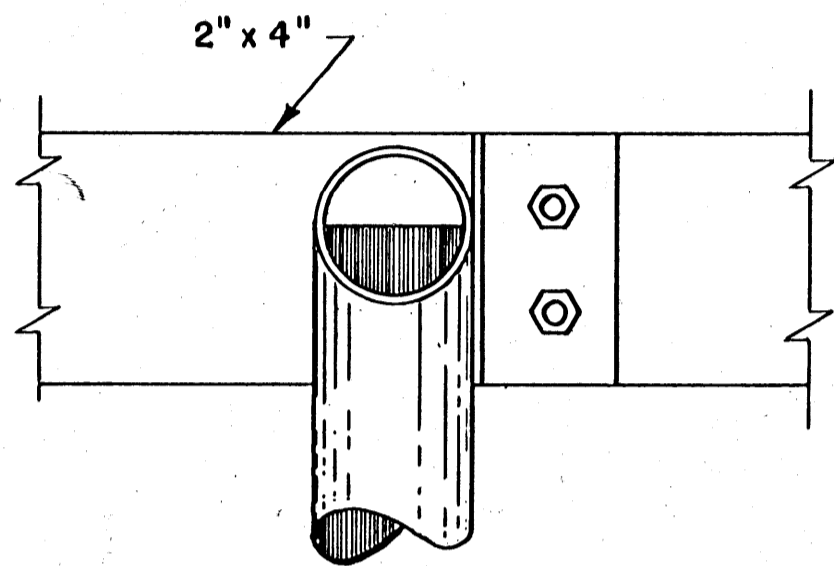
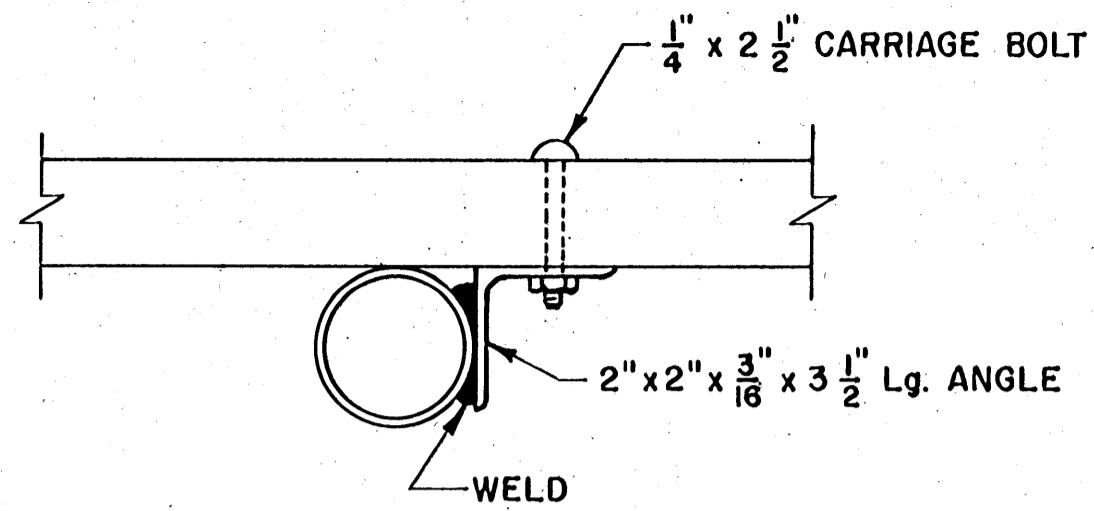
DETAIL "B"  
Scale: 1 1/2" = 1'-0"  
12" 9" 6" 3" 0

MATERIAL	REQ'D
1 1/2" x 14 Ga. Square Tubing	200'
2" Dia. Pipe	80'
Corrugated Metal Roofing, 10' Sheets	7
20 Ga. Sheet Metal	1' x 16'
20 Ga. Sheet Metal	1'-6" x 24'
3" x 4" x 1/4" Angle	12"
2" x 2" x 3/16" Angle	14"
2 1/2" Dia. Pipe	8"
1/4" x 3 1/2" Carriage Bolt	4
1/4" x 2 1/2" Carriage Bolt	12
2" x 6" x 1/4"	1
2" x 4" x 1/4"	2
2" x 4" x 8'	1
3/4" Dia. Steel Bar (Latch Pins & Spacers)	As Req'd

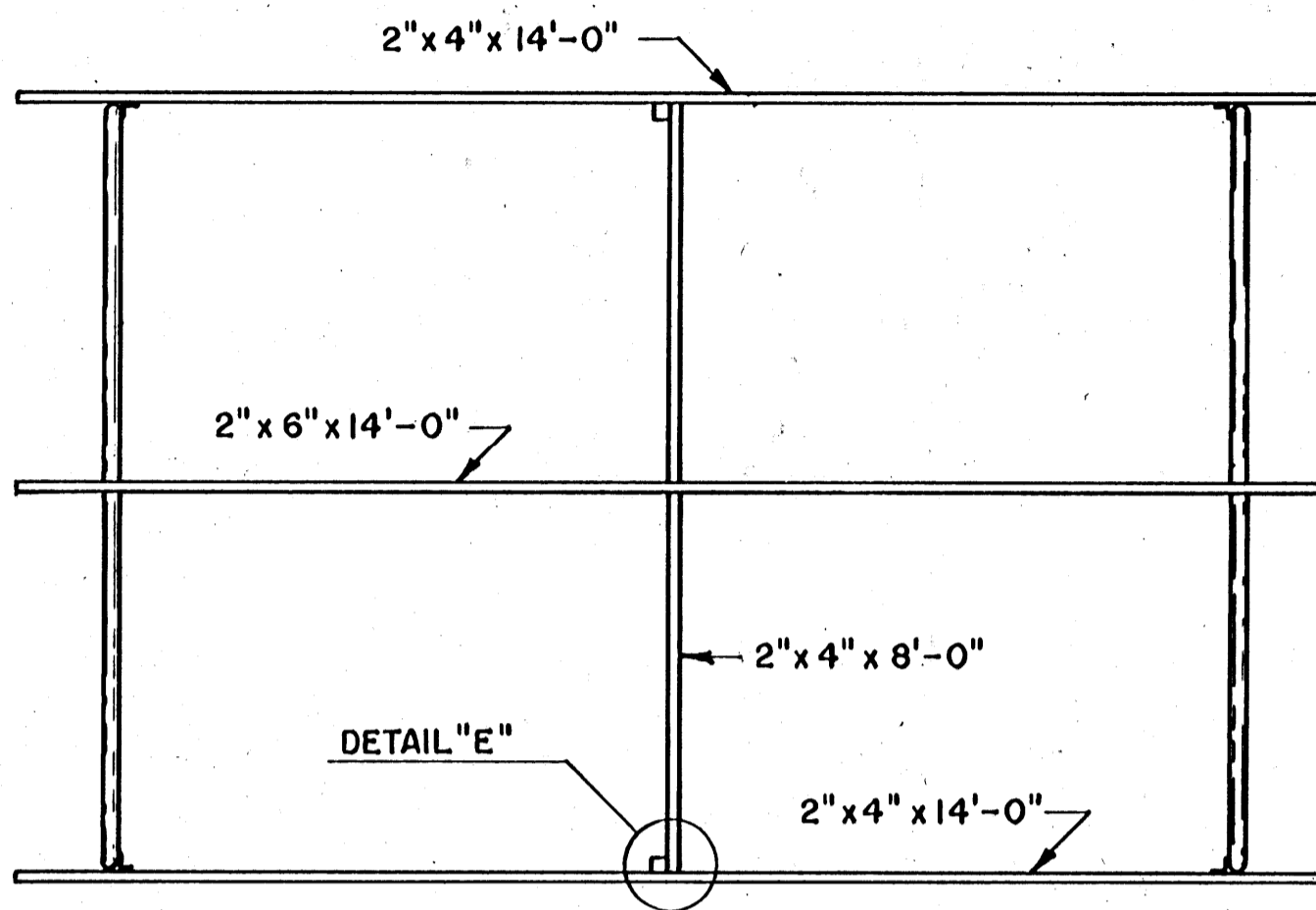
COOPERATIVE EXTENSION WORK IN  
AGRICULTURE AND HOME ECONOMICS  
STATE OF MISSISSIPPI  
MISSISSIPPI STATE UNIVERSITY  
AND  
UNITED STATES DEPARTMENT OF AGRICULTURE COOPERATING

COVERED FEEDER  
FOR ROUND BALES

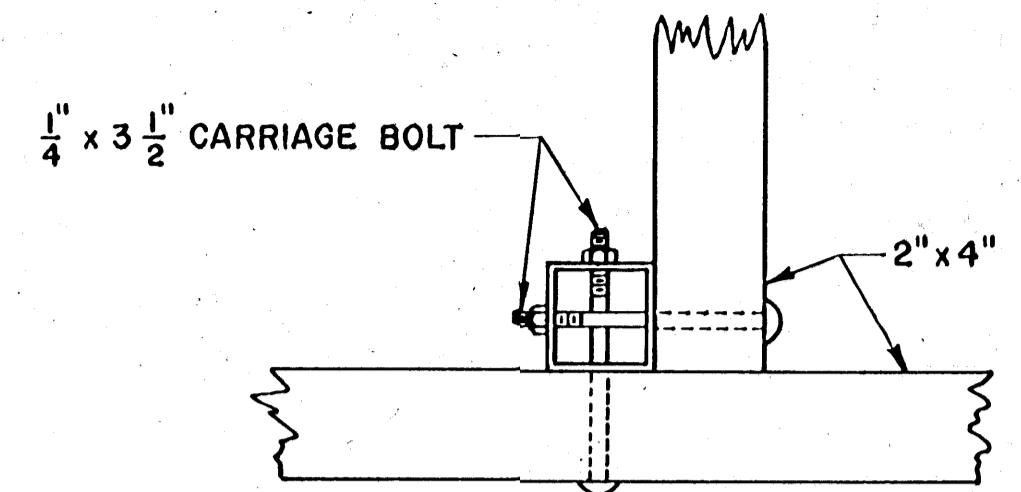
OK. '76 6245 SHEET 1 OF 2



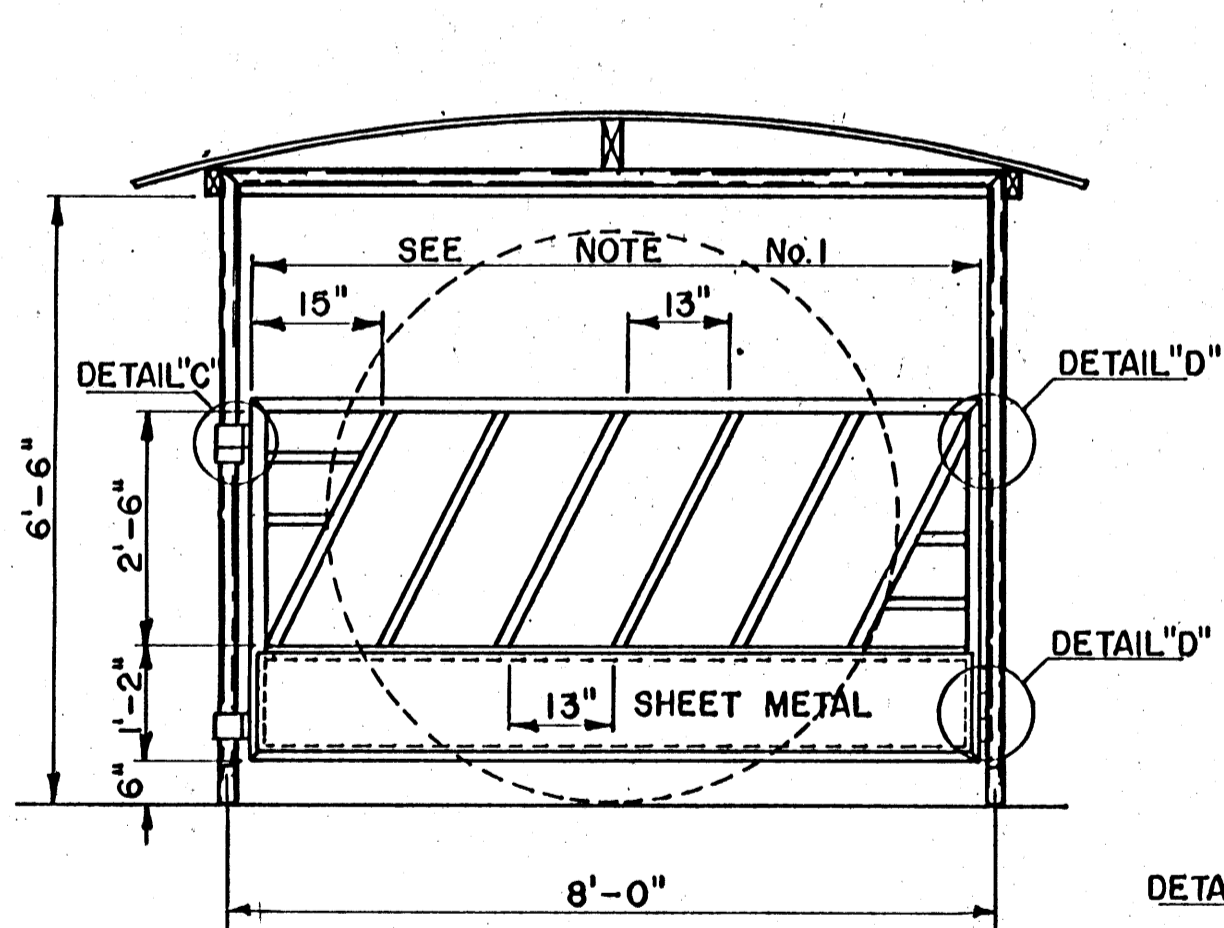
DETAIL "G"  
Scale: 3/8" = 1"



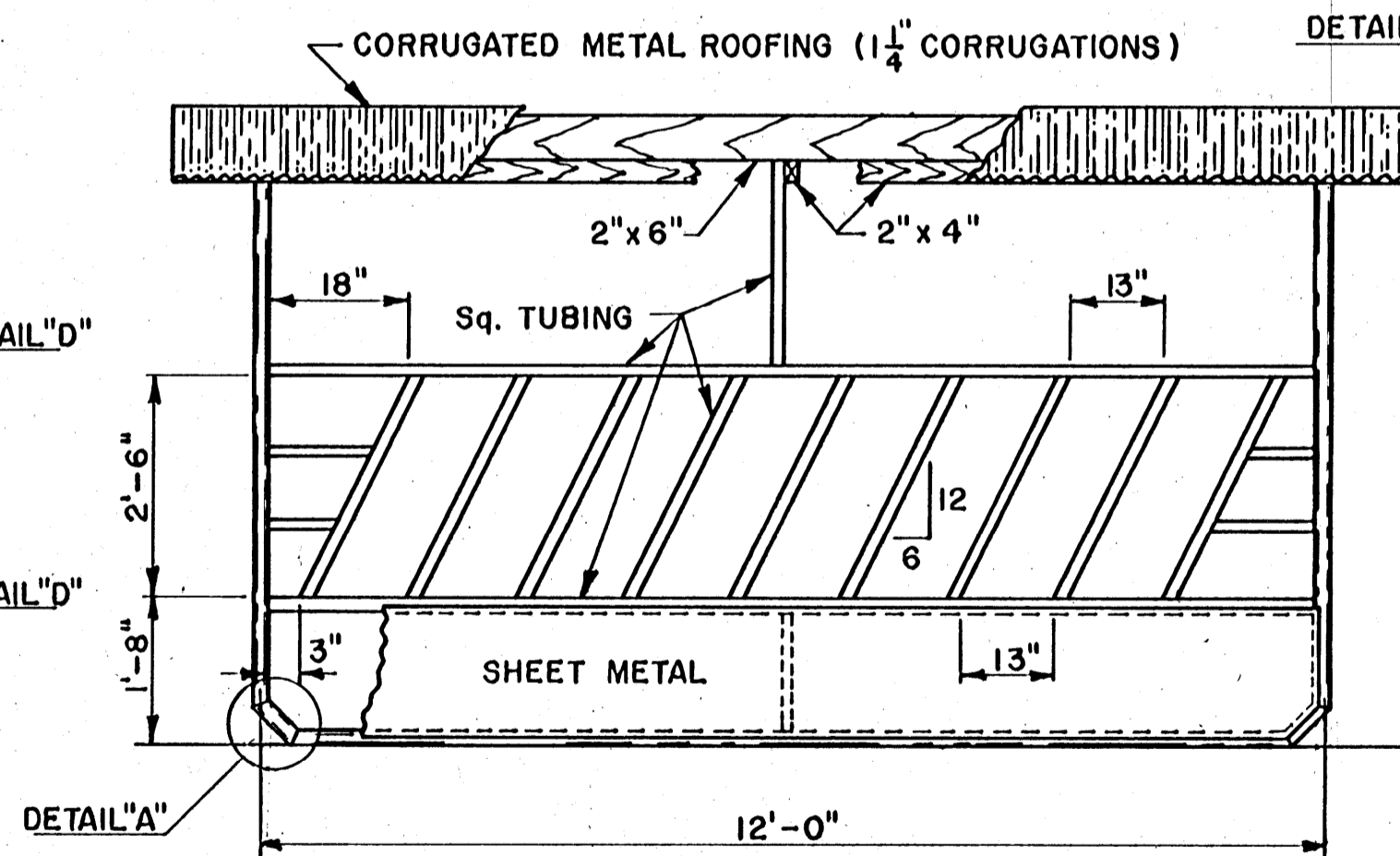
ROOF FRAMING



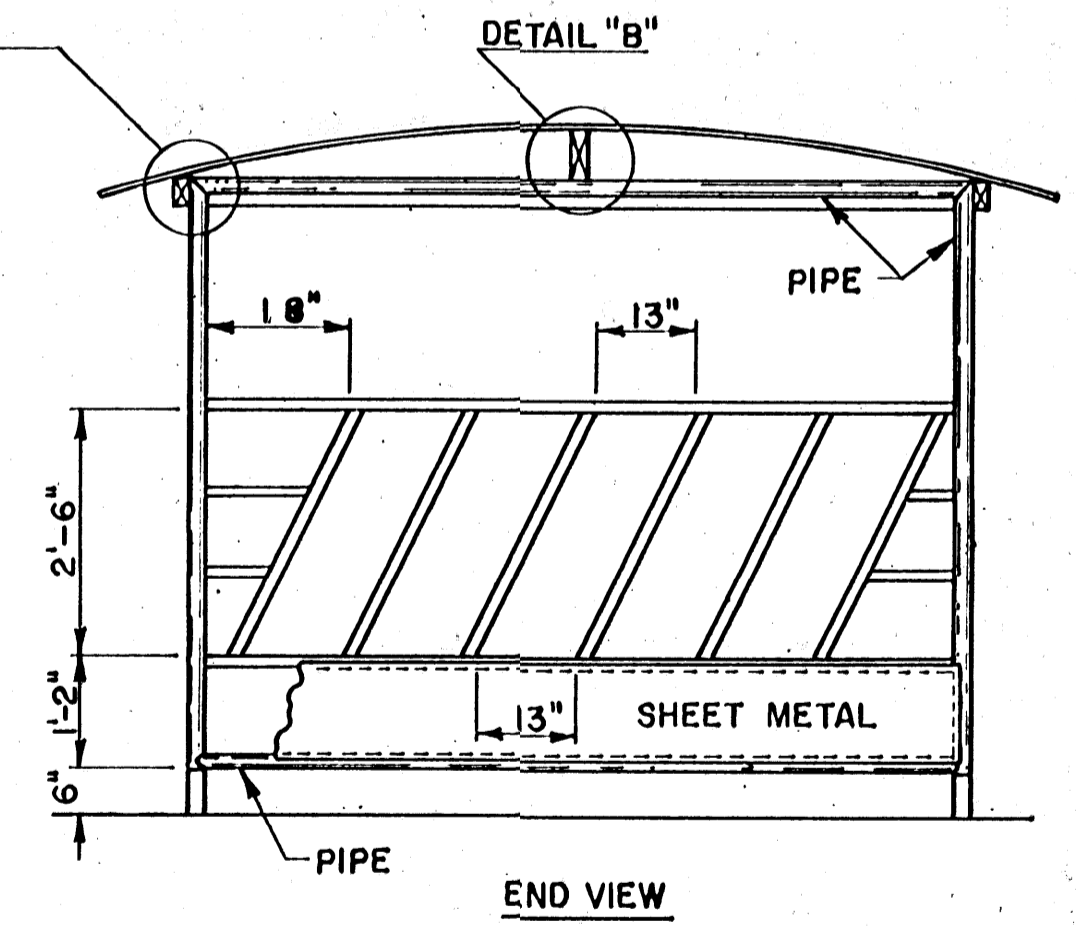
DETAIL "E"  
Scale: 3/8" = 1"  
1" 2 0 1" 2 3"



END VIEW



SIDE VIEW



NOTE :

1. This Dimension To Be Determined After Structure Has Been Welded Together To Insure Proper Fit.
2. Feeder Designed To Accept 7' Dia. Bales — If Smaller Bales Are To Be Fed, The 8' Dimension Should Be Reduced To Bale Diameter Plus 12".
3. To Prevent Feeder From Overturning In High Winds, Fasten Securely To Ground.
4. If Feeder Is To Be Used On Soft Or Spongy Soil, The Runners Should Be Made From 4" Dia. Pipe.



Except As Noted, Scale: 1/2" = 1'-0"

COOPERATIVE EXTENSION WORK IN  
AGRICULTURE AND HOME ECONOMICS  
STATE OF MISSISSIPPI  
MISSISSIPPI STATE UNIVERSITY  
AND  
UNITED STATES DEPARTMENT OF AGRICULTURE COOPERATING

**COVERED FEEDER  
FOR ROUND BALES**

OK.	'76	6245	SHEET 2 OF 2
-----	-----	------	--------------