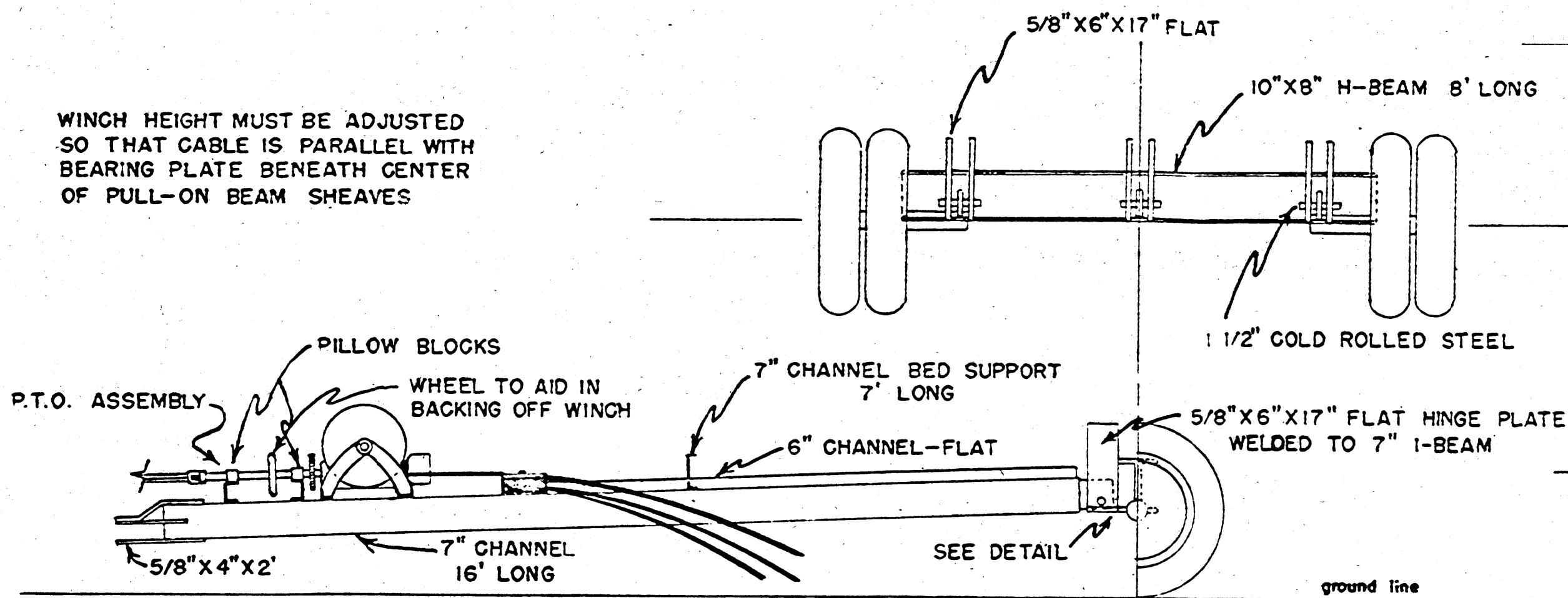
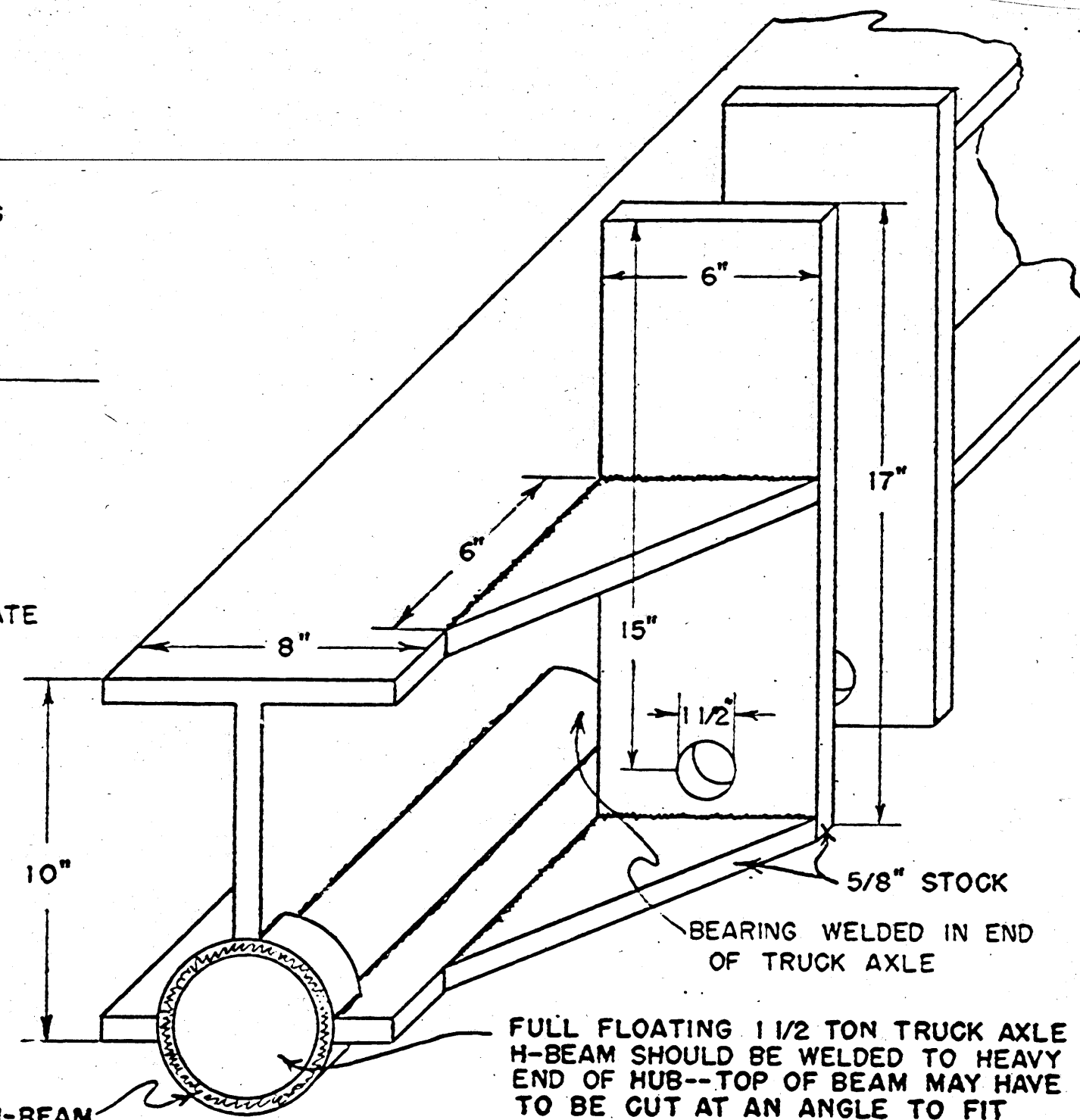


WINCH HEIGHT MUST BE ADJUSTED SO THAT CABLE IS PARALLEL WITH BEARING PLATE BENEATH CENTER OF PULL-ON BEAM SHEAVES

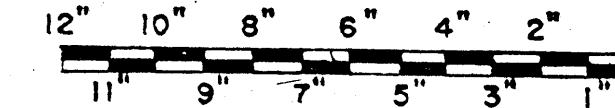


SIDE VIEW CHASSIS



PIN ASSEMBLY DETAIL

SCALE: 3"=1'



SECTION OF H-BEAM CUT OUT AND TRUCK AXLE WELDED IN PLACE

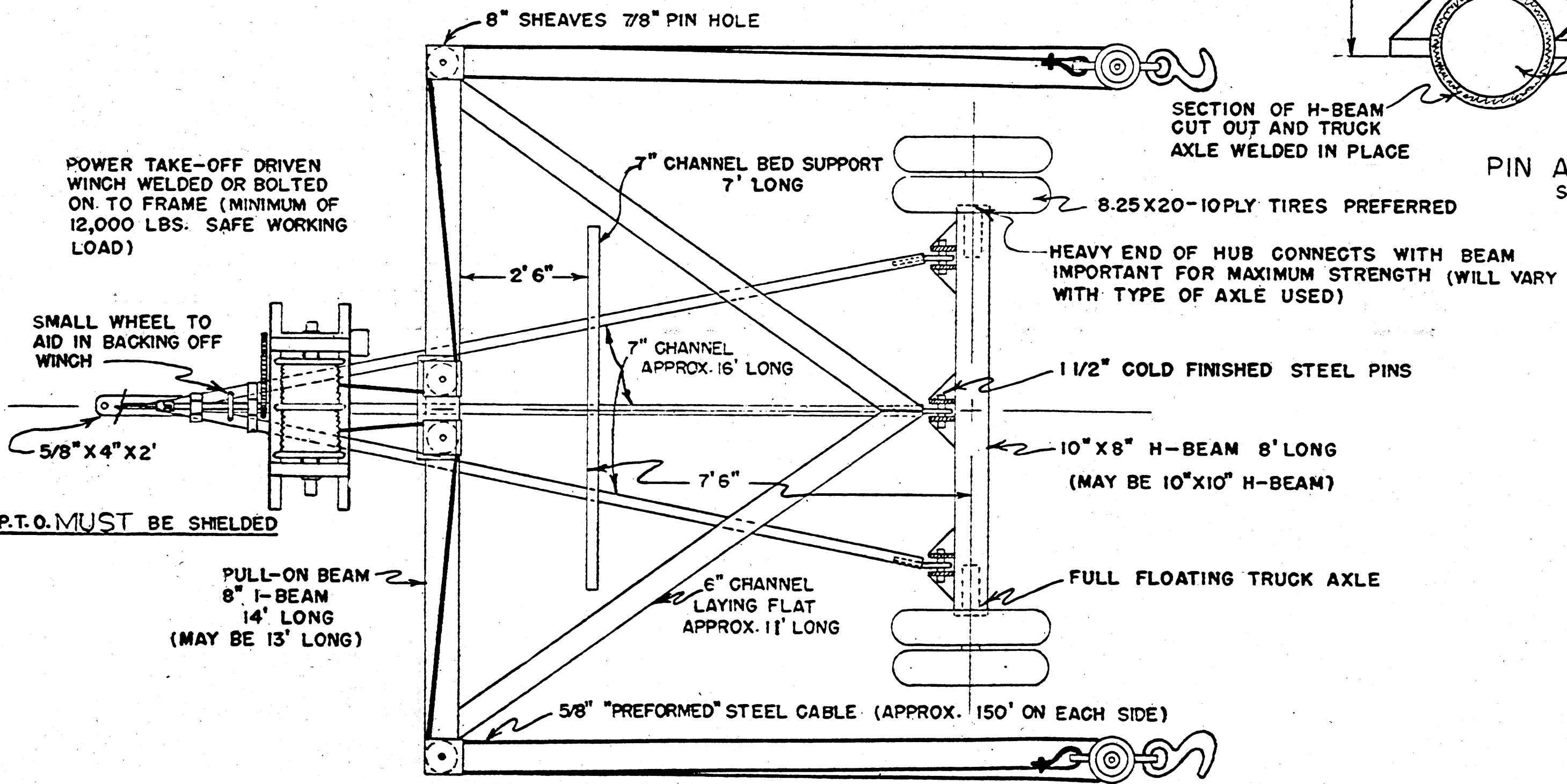
8.25X20-10PLY TIRES PREFERRED

HEAVY END OF HUB CONNECTS WITH BEAM IMPORTANT FOR MAXIMUM STRENGTH (WILL VARY WITH TYPE OF AXLE USED)

THIS SLED DESIGNED TO HANDLE 4 TO 6 TON ROUND HAY STACKS. STACKS ARE BUILT 16' IN DIAMETER AND APPROX. 20' HIGH.

BASED ON: SOUTH DAKOTA STATE UNIV. PLAN NO. 548

SCALE: 1/2"=1'-0" UNLESS OTHERWISE NOTED.

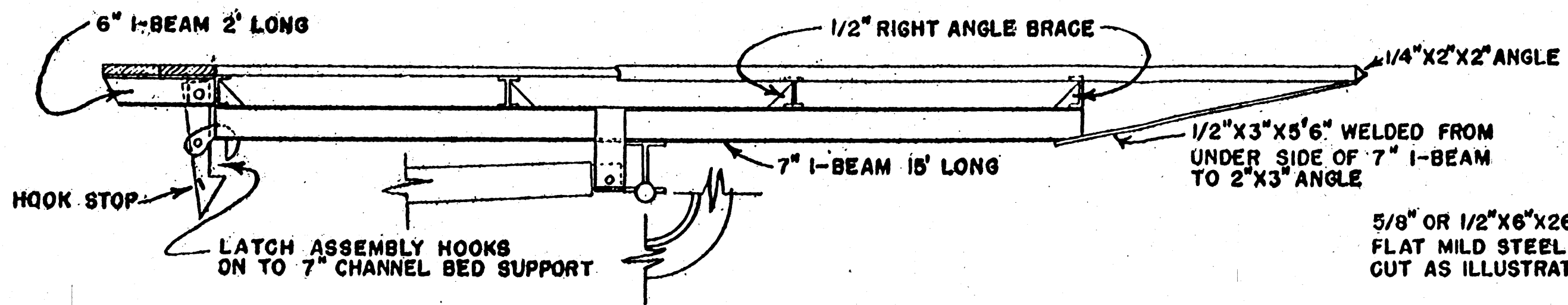


TOP VIEW CHASSIS

COOPERATIVE EXTENSION WORK IN AGRICULTURE AND HOME ECONOMICS STATE OF MISSISSIPPI MISSISSIPPI STATE UNIVERSITY AND UNITED STATES DEPARTMENT OF AGRICULTURE COOPERATING

TILTING FLATBED HAYSLED

AZ & S.D. '76 6 2 5 4 SHEET 1 OF 4



SIDE VIEW BED STRUCTURE

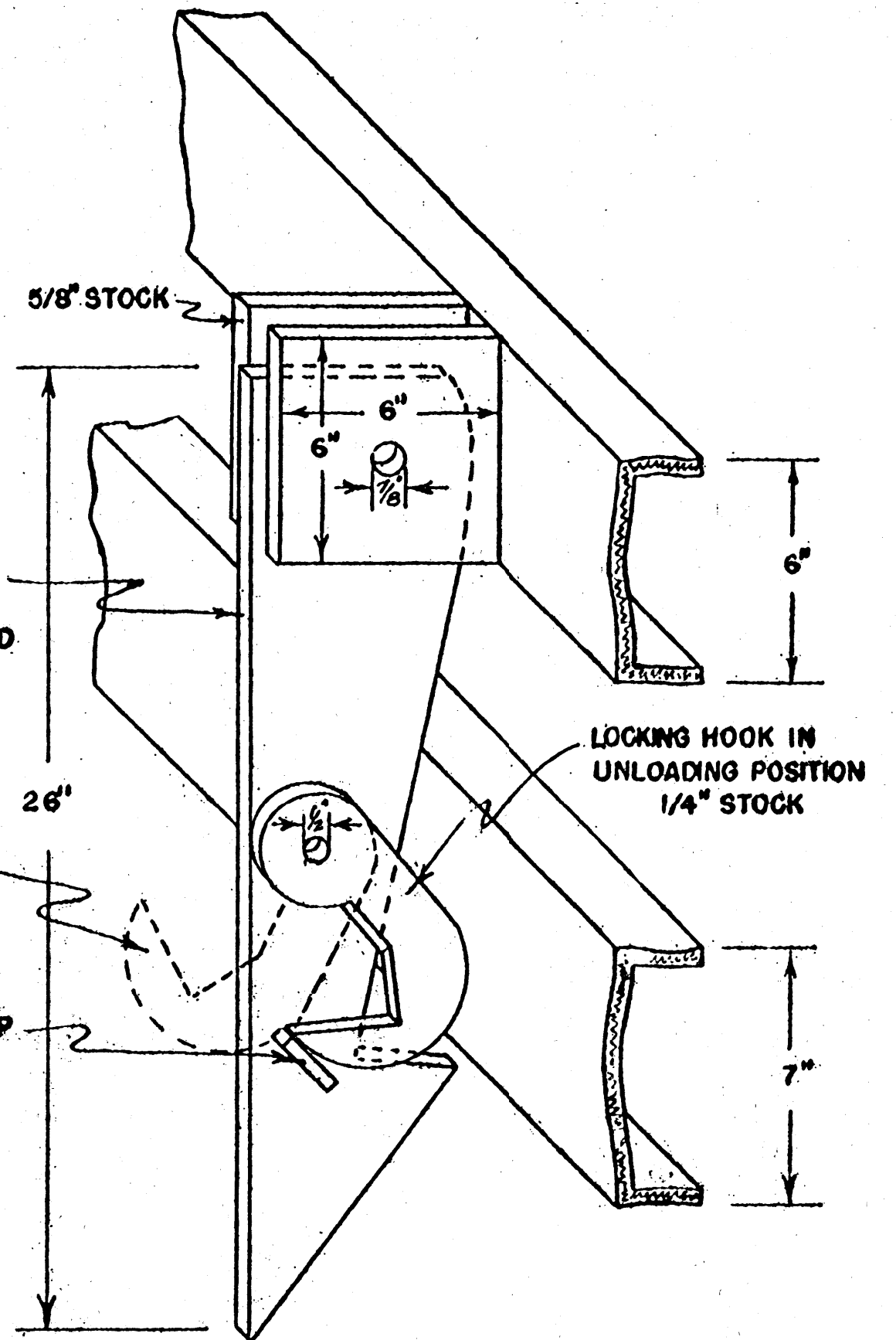
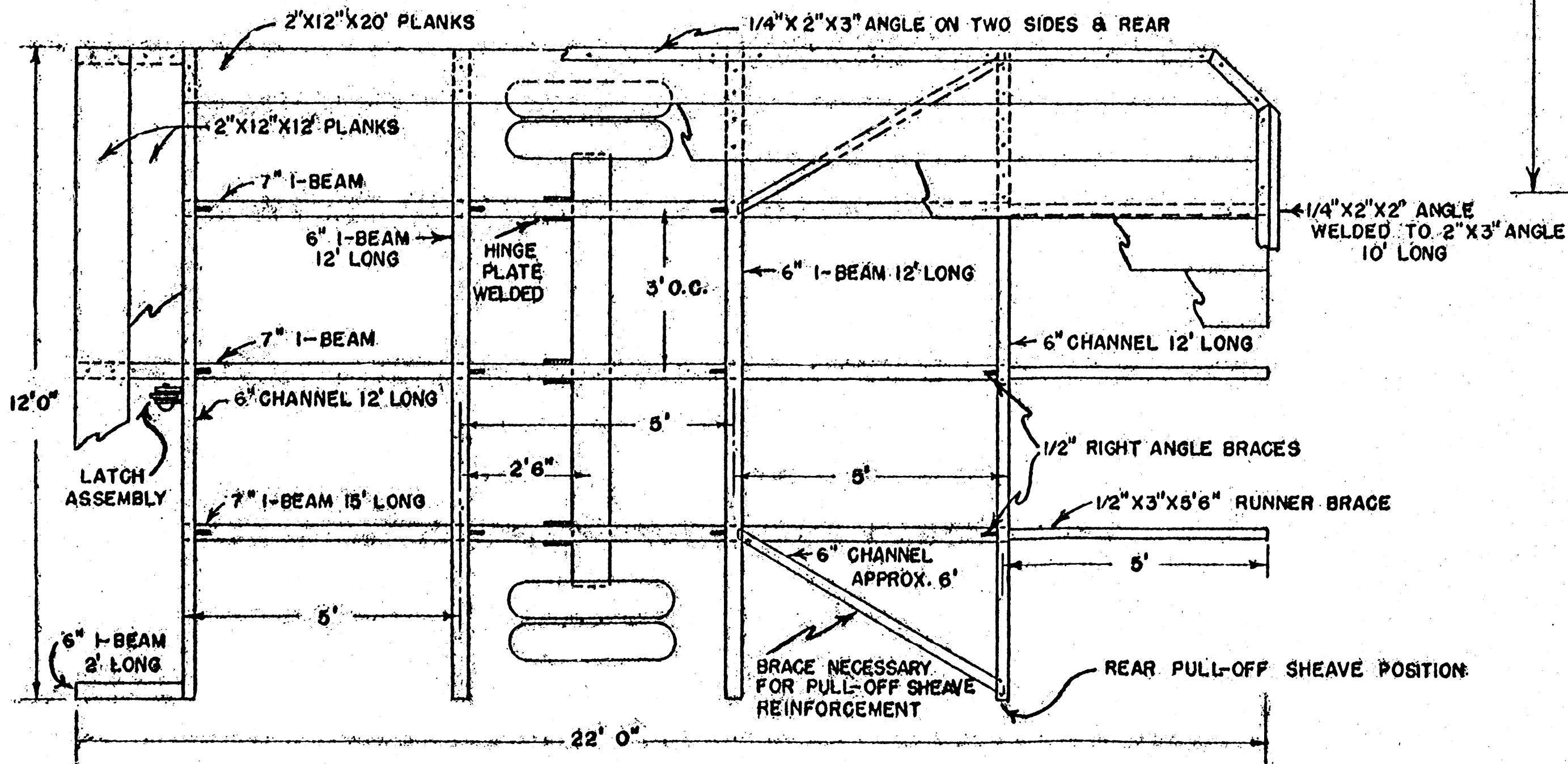
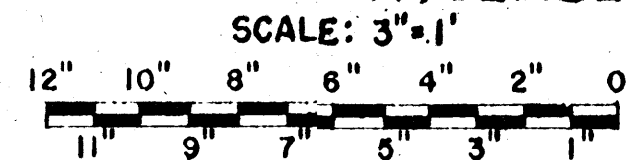


TABLE HOOK ASSEMBLY



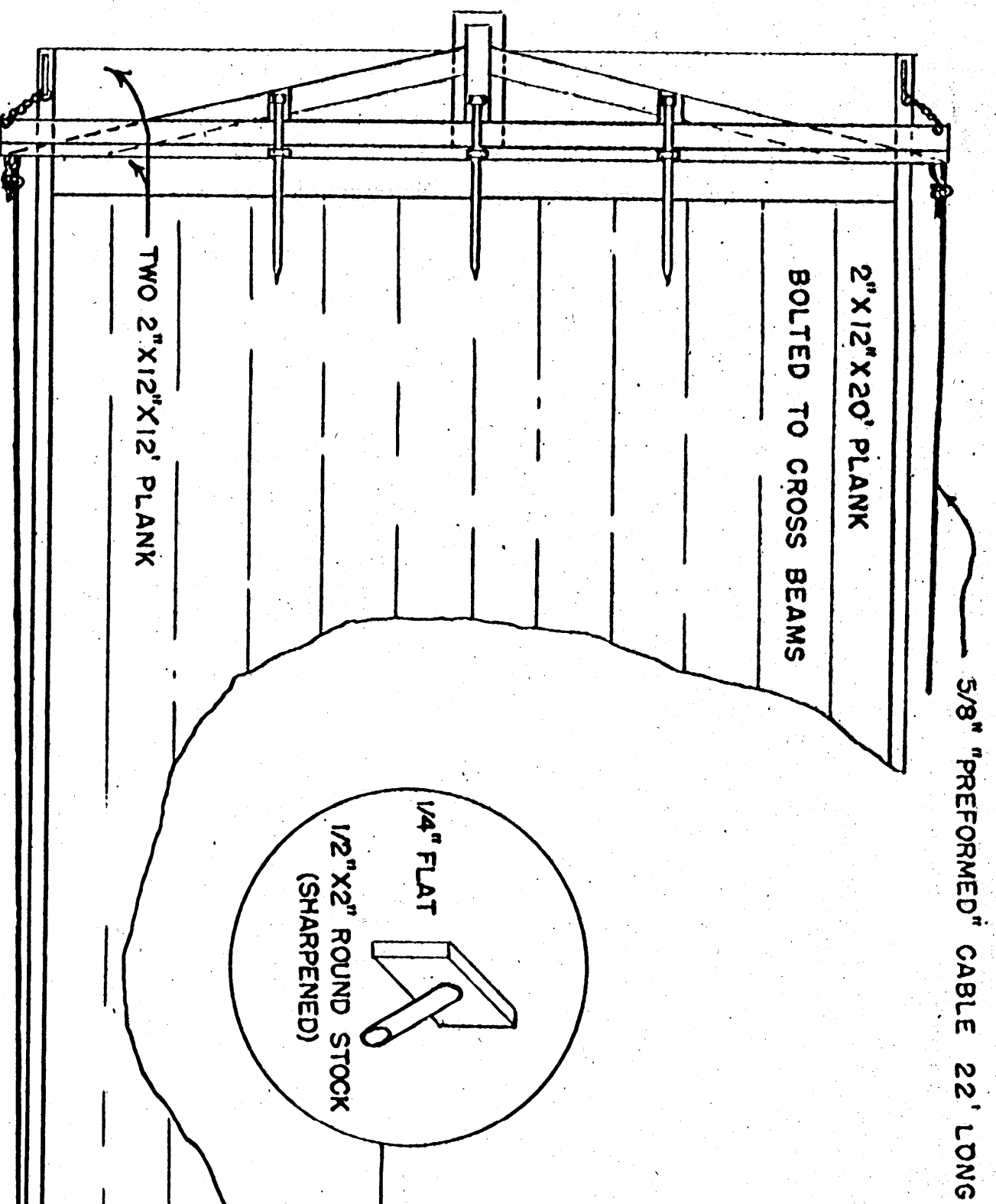
TOP VIEW BED STRUCTURE

SCALE: 1/2"=1'-0" UNLESS OTHERWISE NOTED

COOPERATIVE EXTENSION WORK IN
 AGRICULTURE AND HOME ECONOMICS
 STATE OF MISSISSIPPI
 MISSISSIPPI STATE UNIVERSITY
 AND
 UNITED STATES DEPARTMENT OF AGRICULTURE COOPERATING

TILTING FLATBED HAYSLED

AZ 8 S.D. '76 6 2 5 4 SHEET 2 OF 4



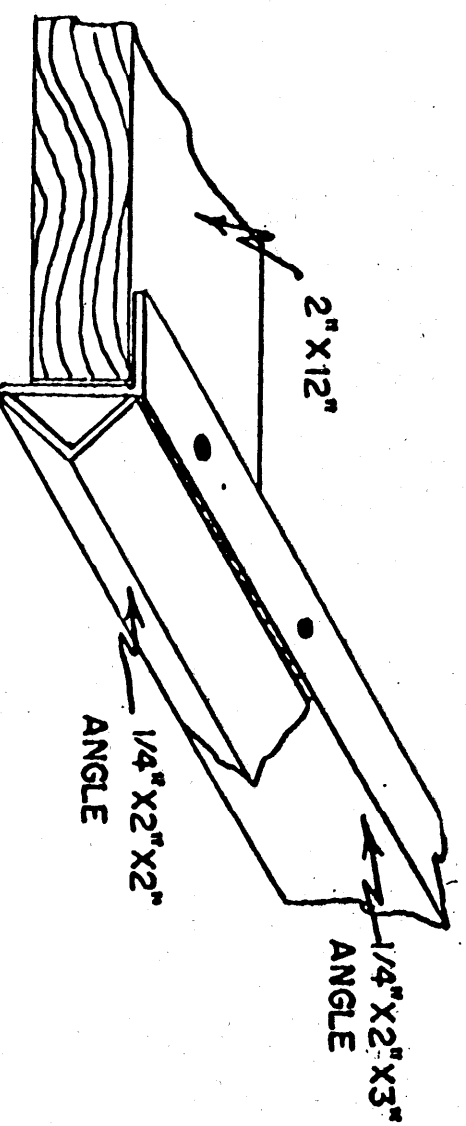
TOP VIEW TABLE

SCALE: 1/2"=1'

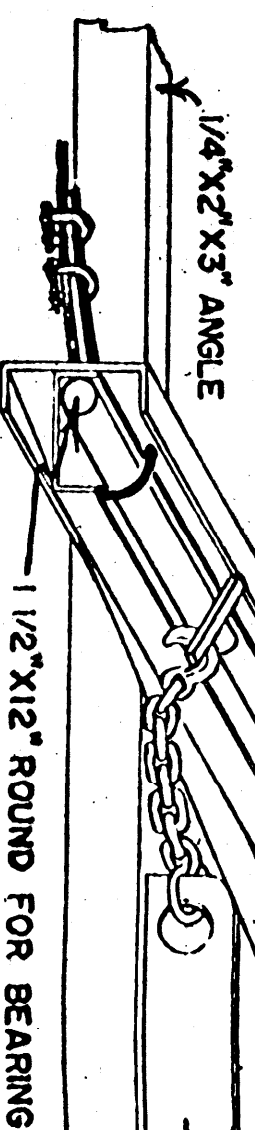


SIDE VIEW TABLE

SCALE: 7/2"=1'

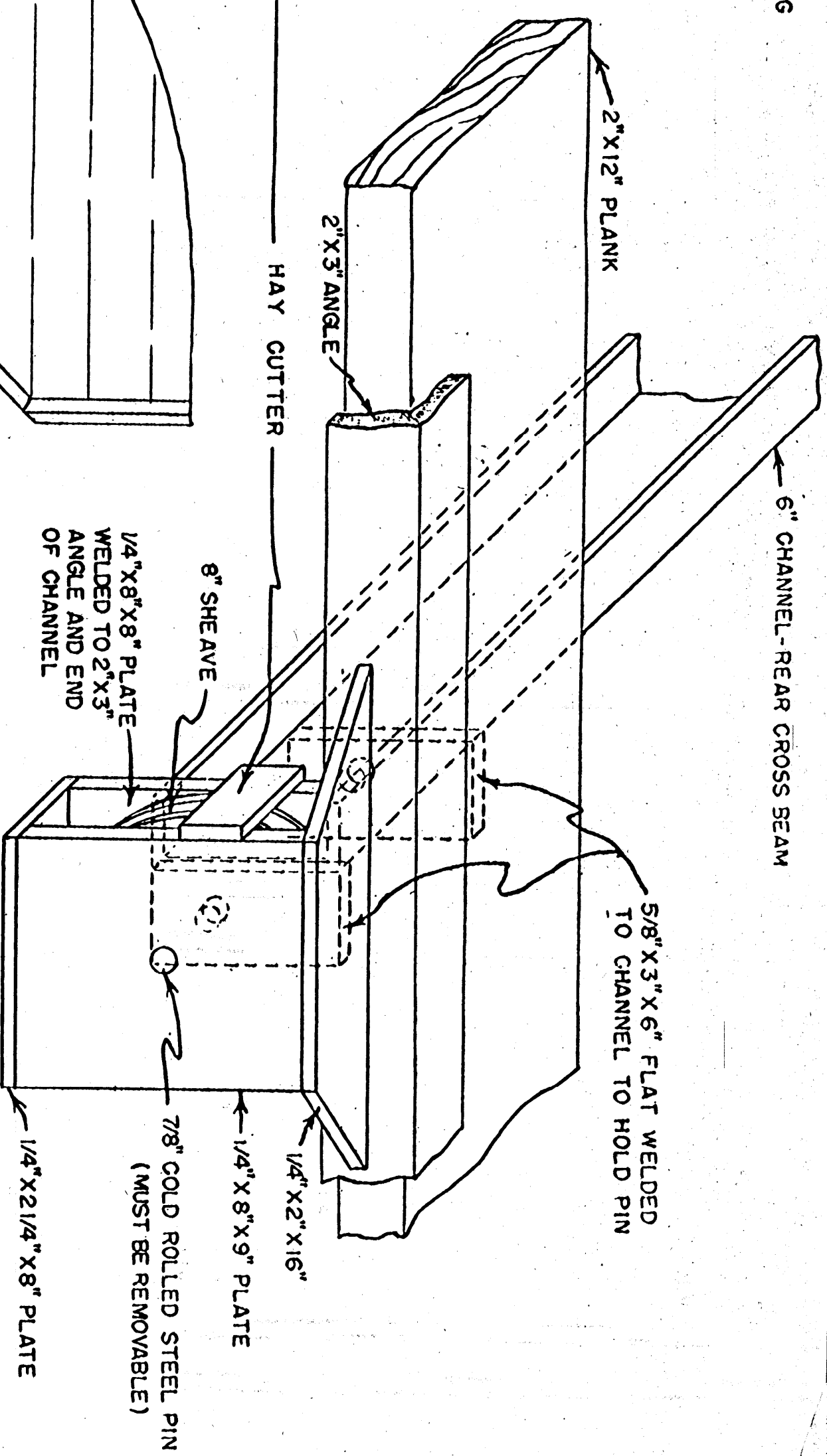
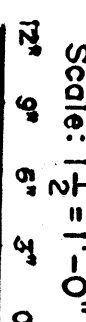


END EDGE DETAIL

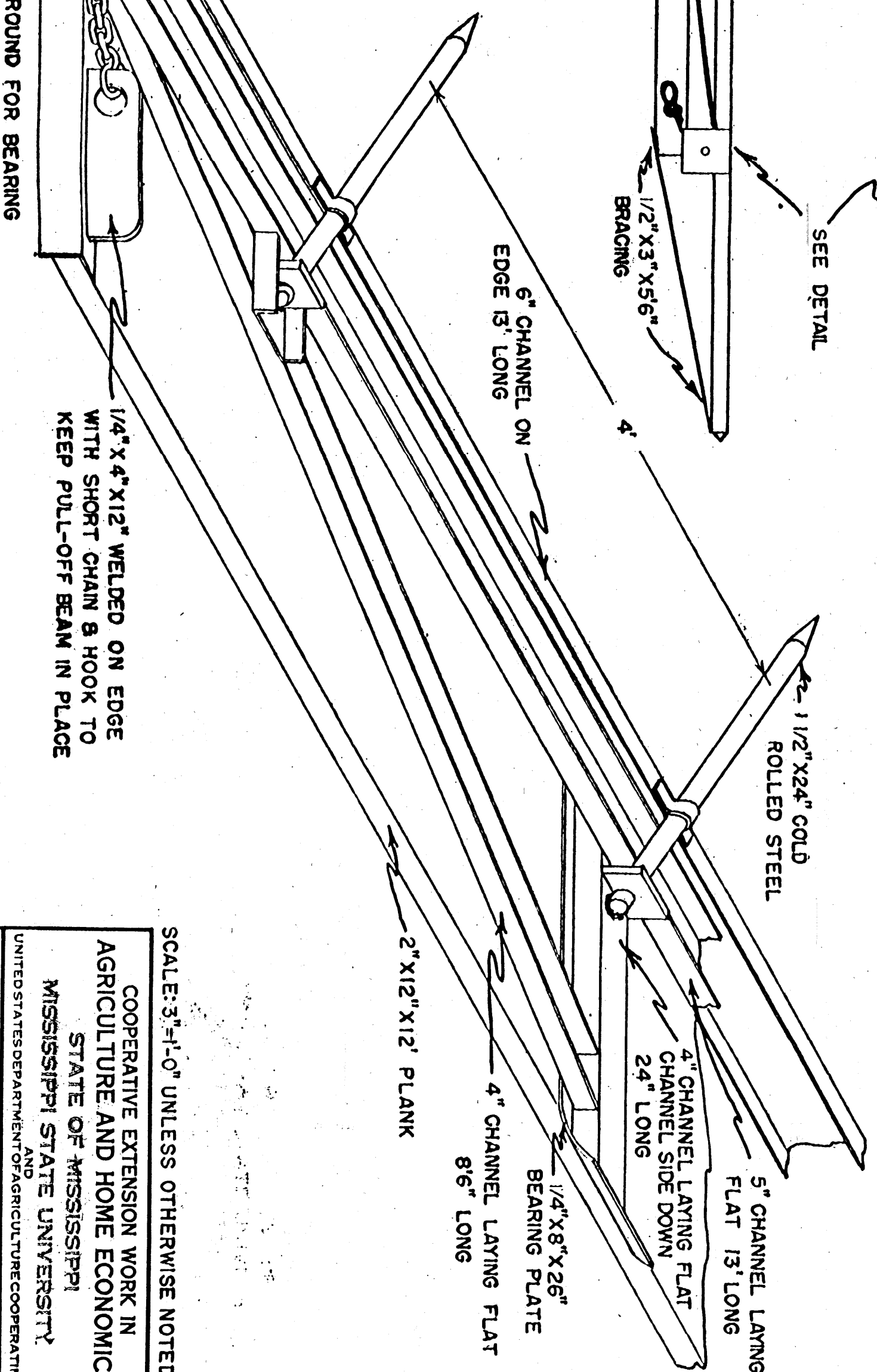


PULL-OFF BEAM DETAIL

SCALE: 1 1/2"=1'-0"



REAR PULL-OFF SHEAVE DETAIL

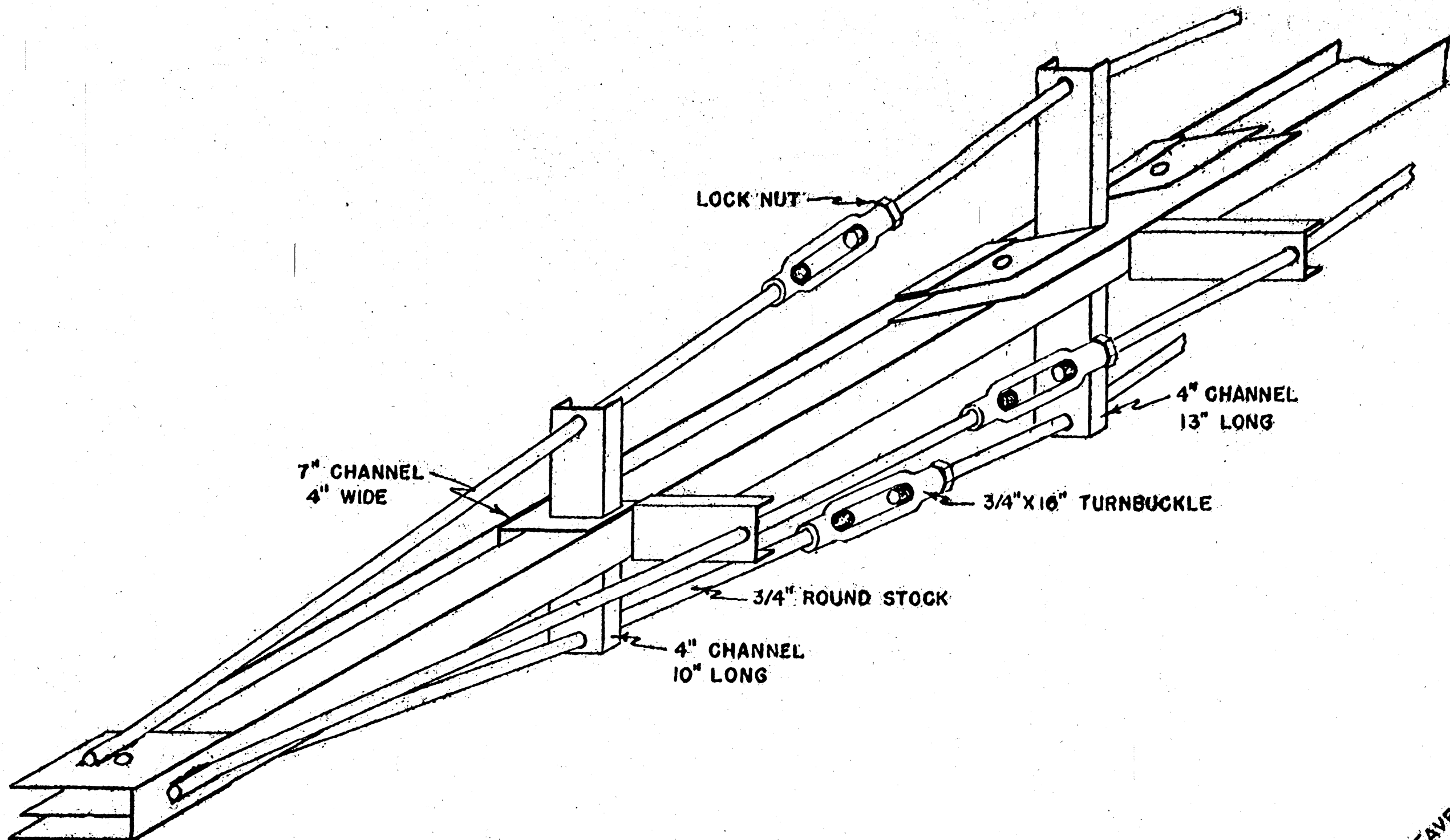


SCALE: 3"=1'-0" UNLESS OTHERWISE NOTED.

COOPERATIVE EXTENSION WORK IN
AGRICULTURE AND HOME ECONOMICS
STATE OF MISSISSIPPI
MISSISSIPPI STATE UNIVERSITY
AND
UNITED STATES DEPARTMENT OF AGRICULTURE COOPERATING

TILTING FLATBED HAYSLED

AZ 8.S.D. 76 6 2 5 4 SHEET 3 OF 4



7" CHANNEL
4" WIDE

LOCK NUT

4" CHANNEL
13" LONG

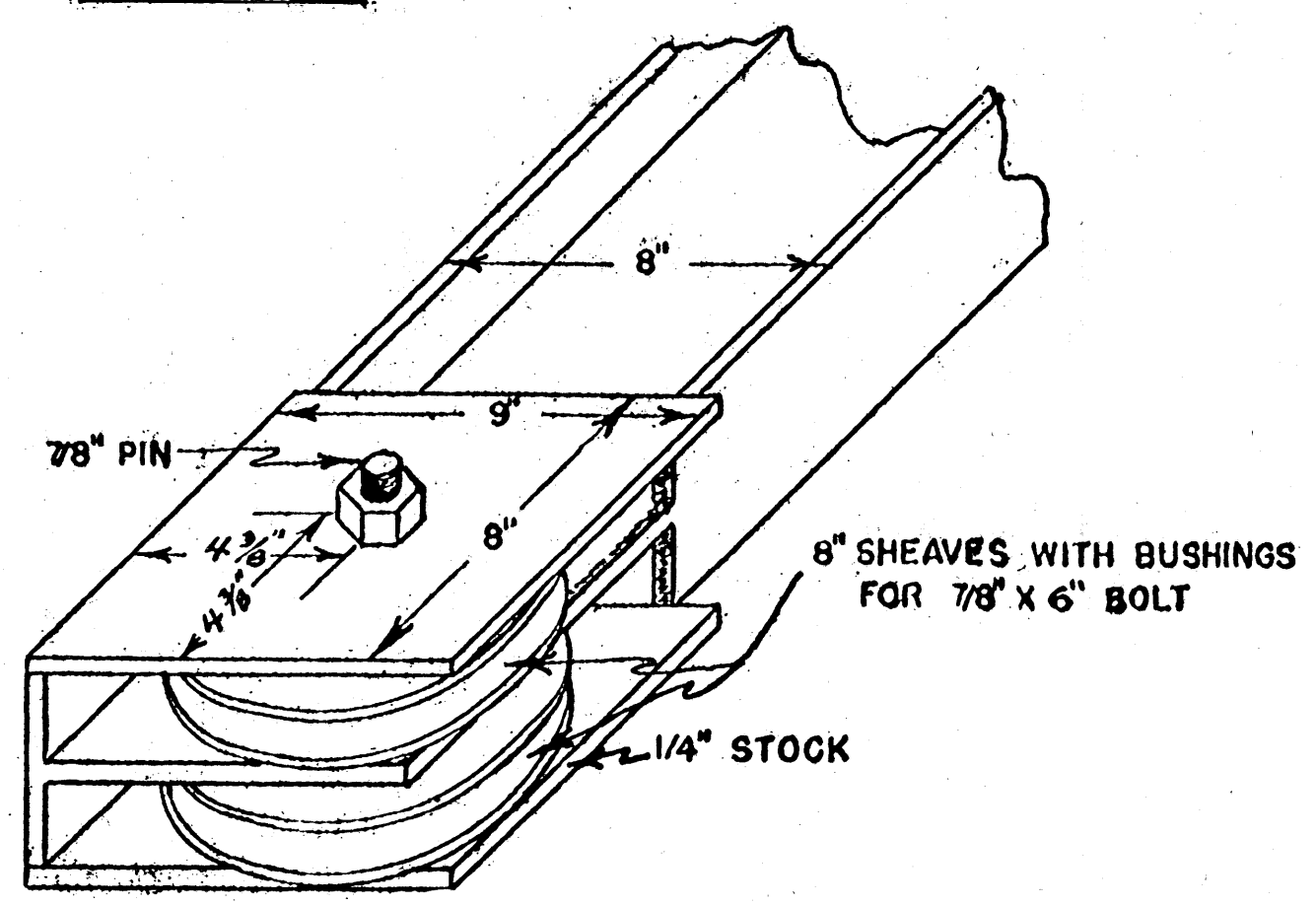
3/4" X 16" TURNBUCKLE

3/4" ROUND STOCK

4" CHANNEL
10" LONG

PULL-ON BEAM BRACING

SCALE: 1 1/2" = 1'



7/8" PIN

8" SHEAVES WITH BUSHINGS
FOR 7/8" X 6" BOLT

1/4" STOCK

END OF PULL-ON BEAM

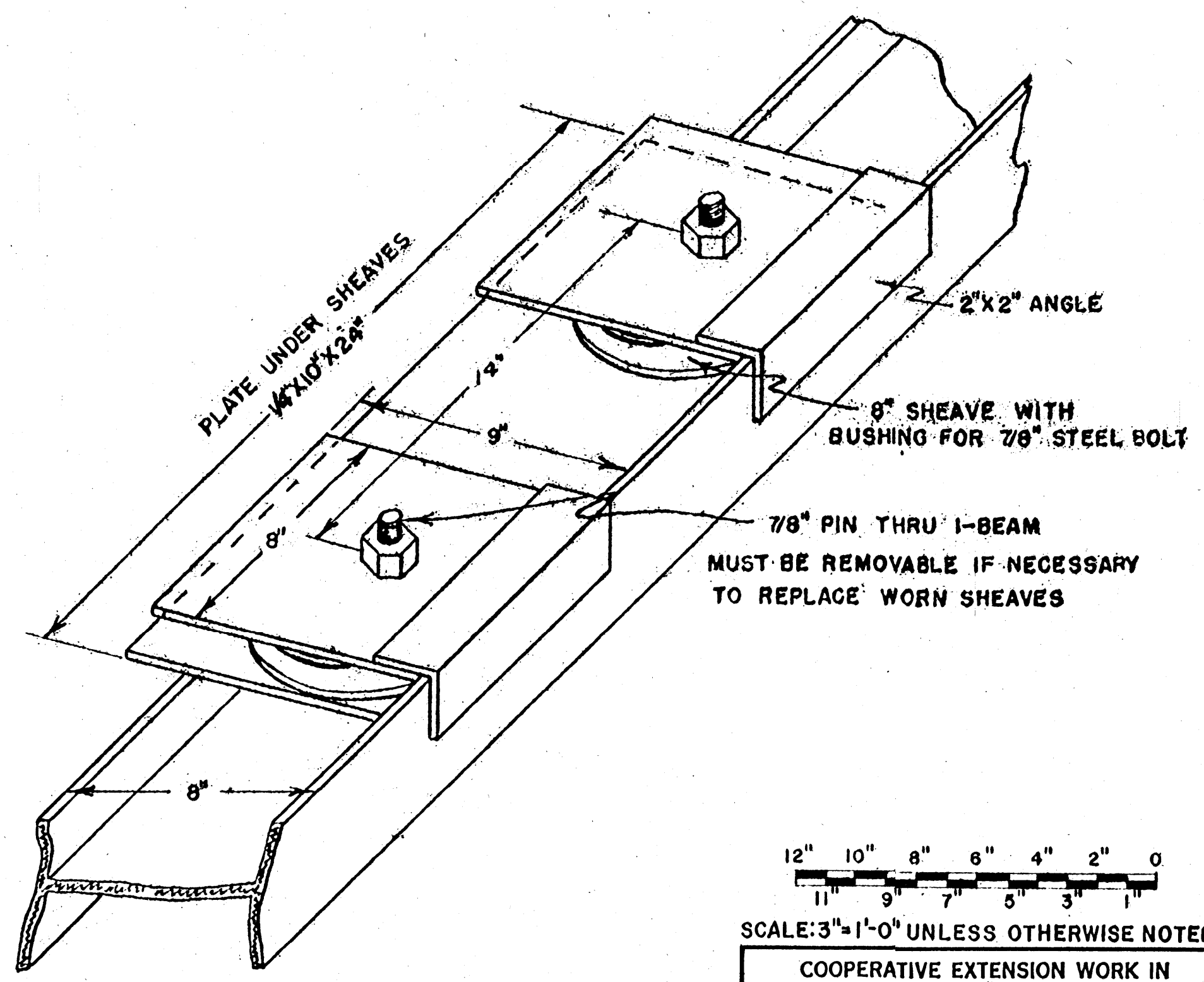
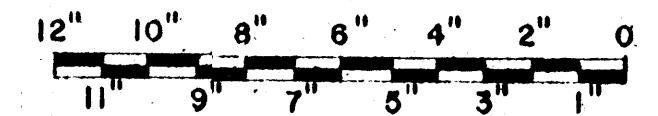


PLATE UNDER SHEAVES
1/4" X 10" X 24"

2" X 2" ANGLE

8" SHEAVE WITH
BUSHING FOR 7/8" STEEL BOLT

7/8" PIN THRU I-BEAM
MUST BE REMOVABLE IF NECESSARY
TO REPLACE WORN SHEAVES



SCALE: 3" = 1'-0" UNLESS OTHERWISE NOTED.

CENTER OF PULL-ON BEAM

COOPERATIVE EXTENSION WORK IN
AGRICULTURE AND HOME ECONOMICS
STATE OF MISSISSIPPI
MISSISSIPPI STATE UNIVERSITY
AND
UNITED STATES DEPARTMENT OF AGRICULTURE COOPERATING

TILTING FLATBED HAYSLED

AZ & S.D. '76	6 2 5 4	SHEET 4 OF 4
---------------	---------	--------------