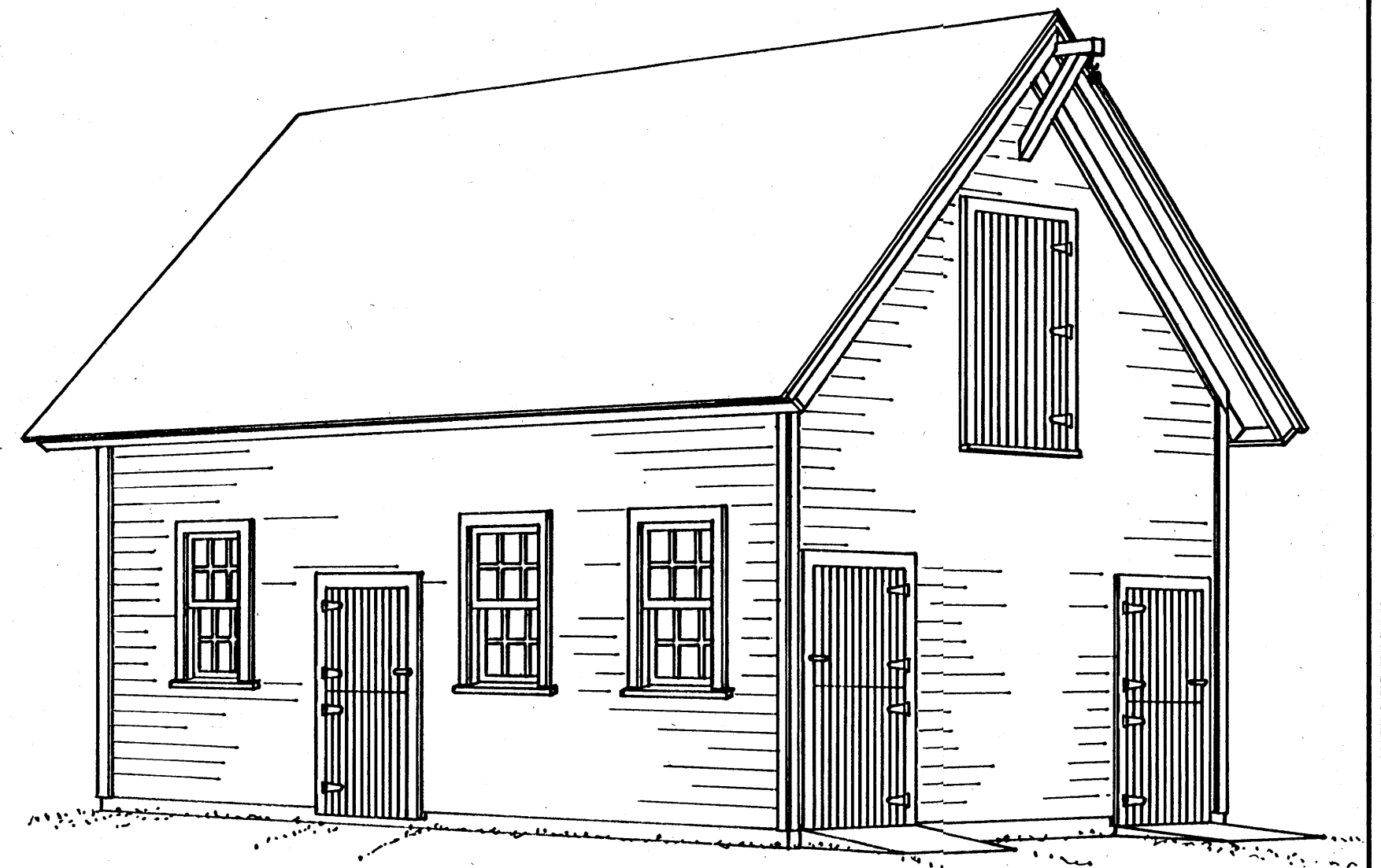
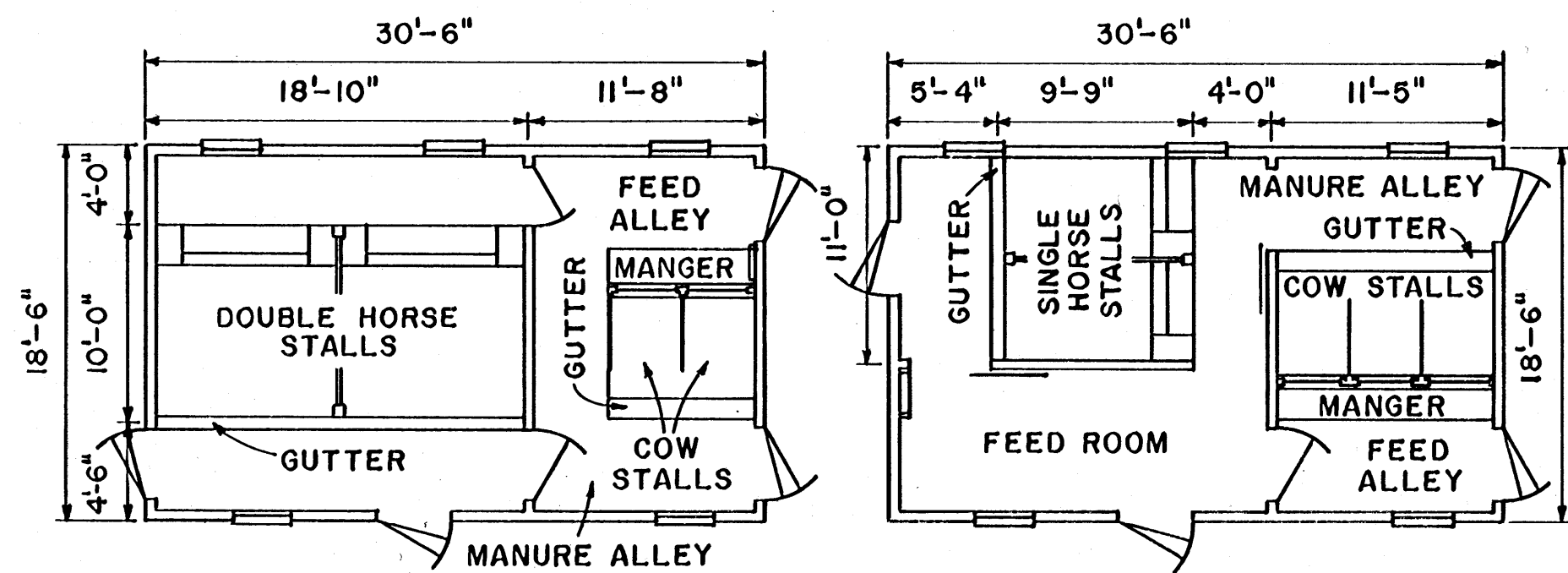


PLAN



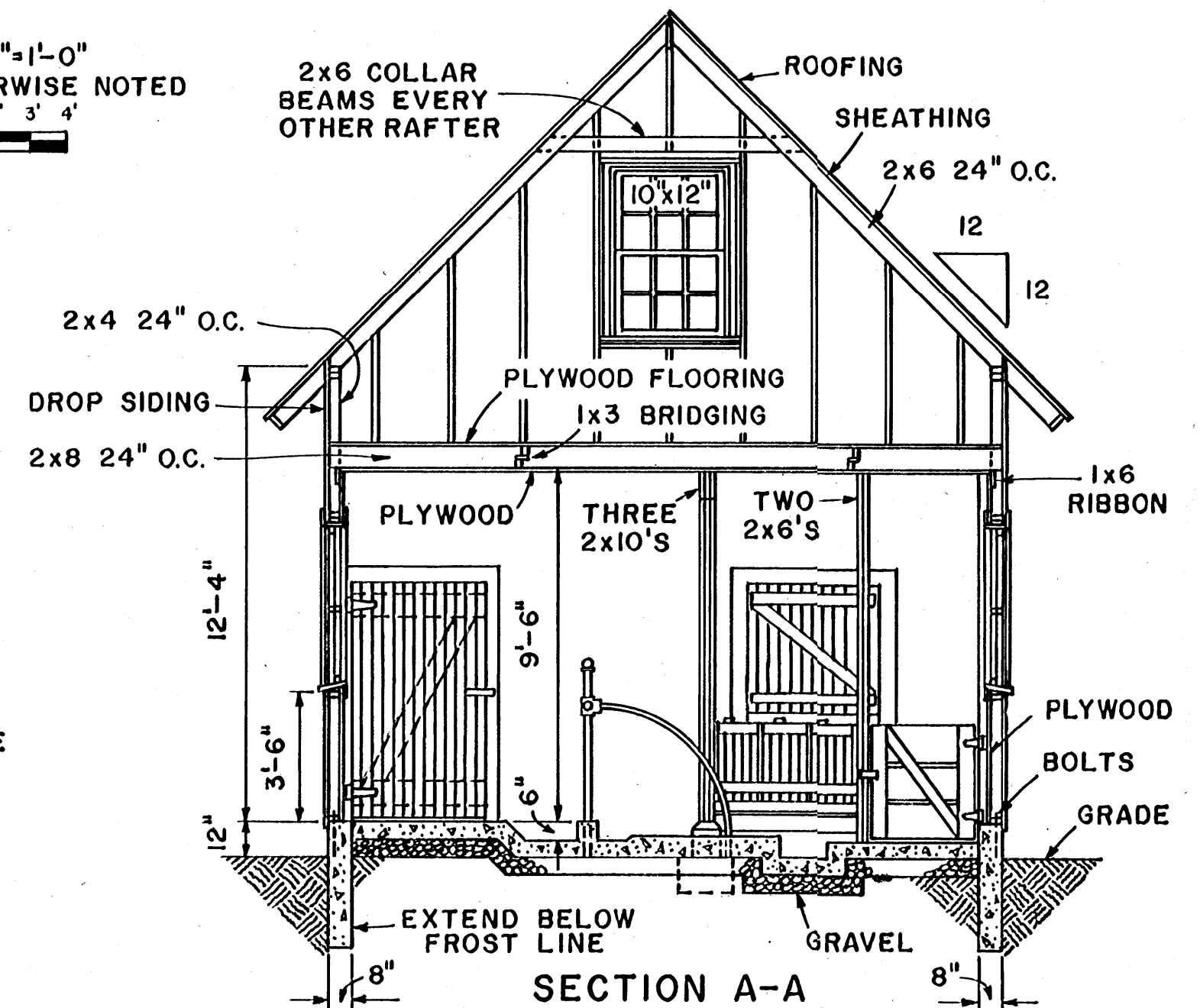
PERSPECTIVE



ALTERNATE PLANS

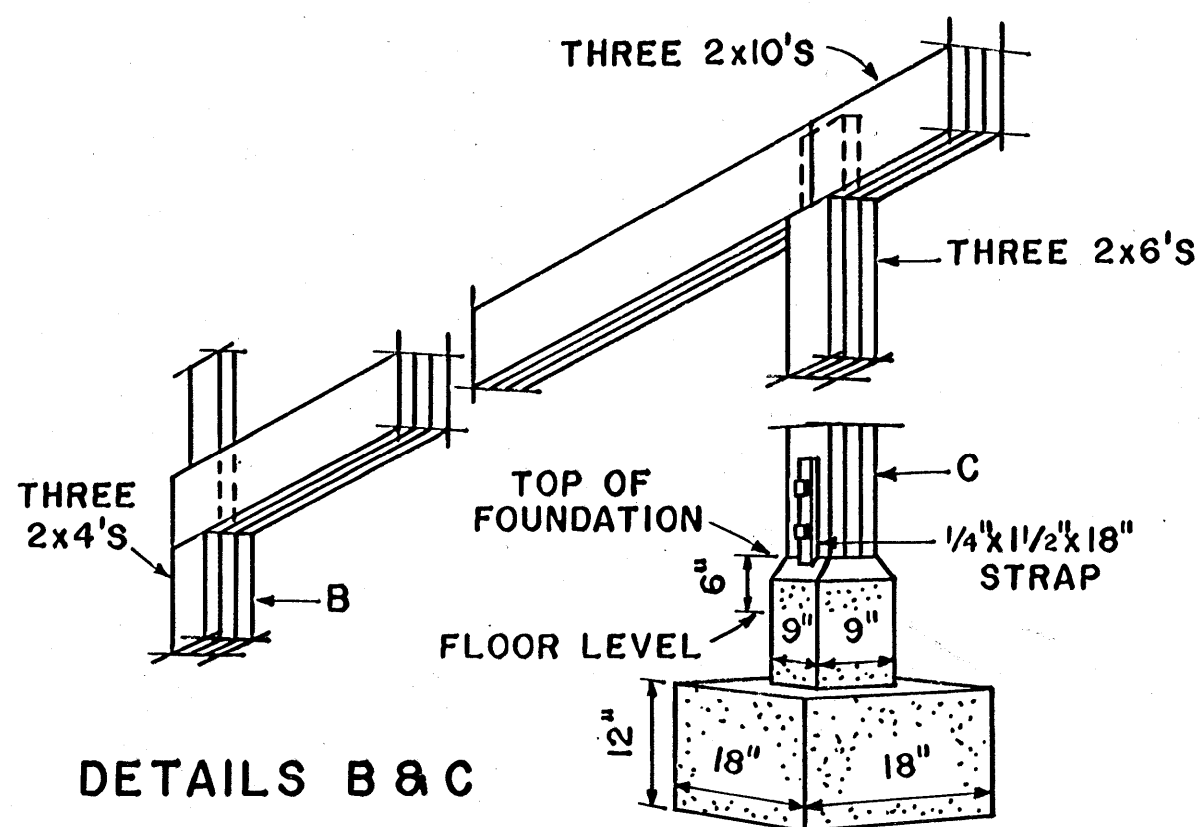
SCALE: 1/8" = 1'-0"
12" 0 4' 8'

SCALE: 1/4" = 1'-0"
UNLESS OTHERWISE NOTED
12" 0 1' 2' 3' 4'

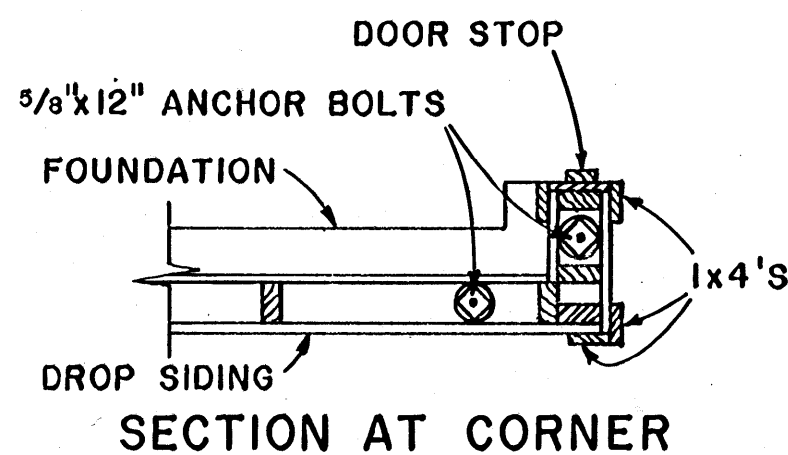


SECTION A-A

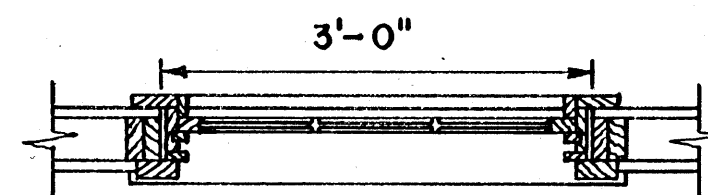
NOTE: CONSULT LOCAL BUILDING CODE AUTHORITIES BEFORE STARTING CONSTRUCTION.



DETAILS B & C



SECTION AT CORNER



SECTION OF WINDOW

SCALE: 3/4" = 1'-0"
12" 6" 0 1'

BASED ON: USDA PLAN NO. 5021

COOPERATIVE EXTENSION WORK IN
AGRICULTURE AND HOME ECONOMICS
STATE OF MISSISSIPPI
MISSISSIPPI STATE UNIVERSITY
AND
UNITED STATES DEPARTMENT OF AGRICULTURE COOPERATING

GENERAL BARN

USDA '76 6 2 6 7 SHEET 1 OF 1