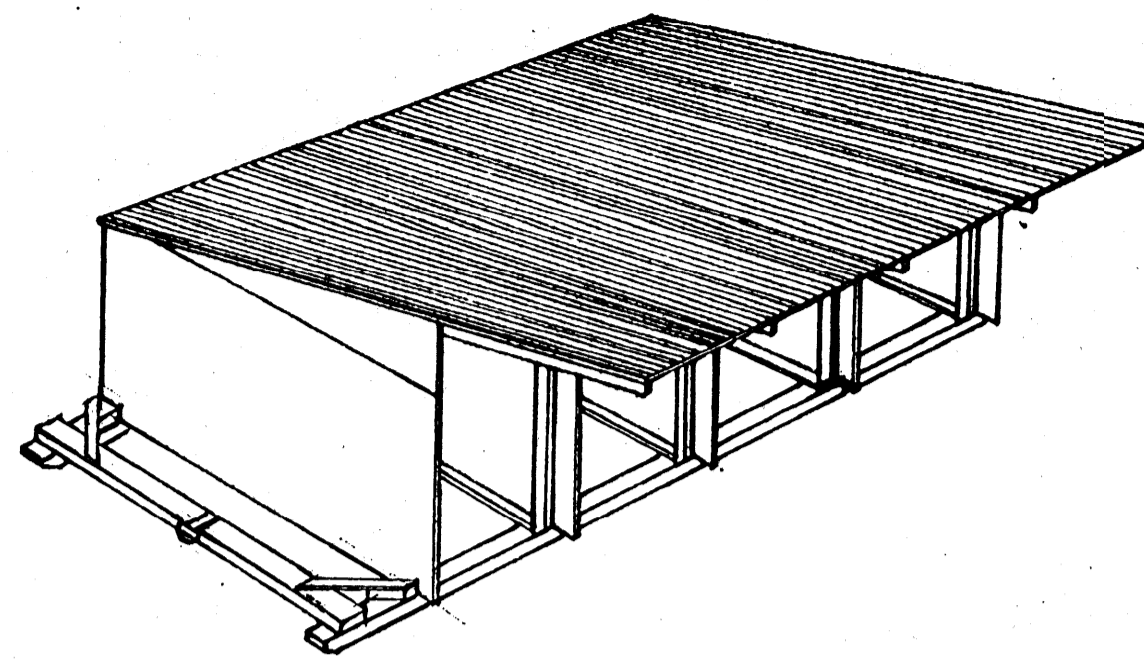
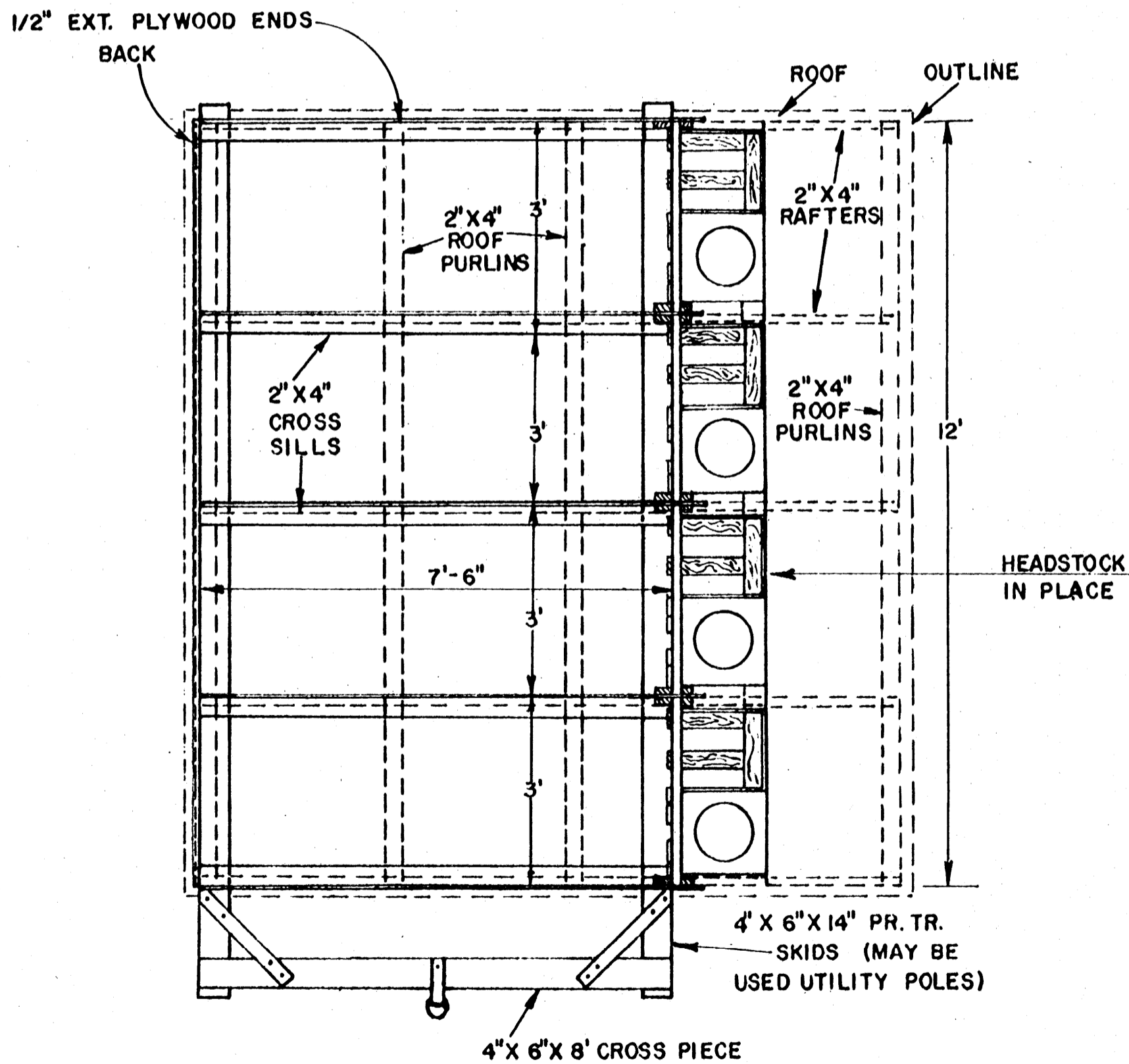


**CROSS SECTION**  
SCALE 1/2" = 1'  
12' 6" 0 1' 2'

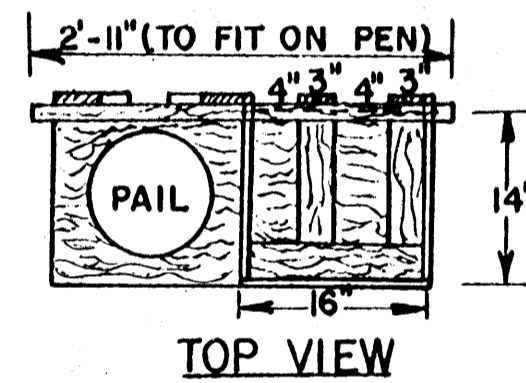


**PERSPECTIVE**

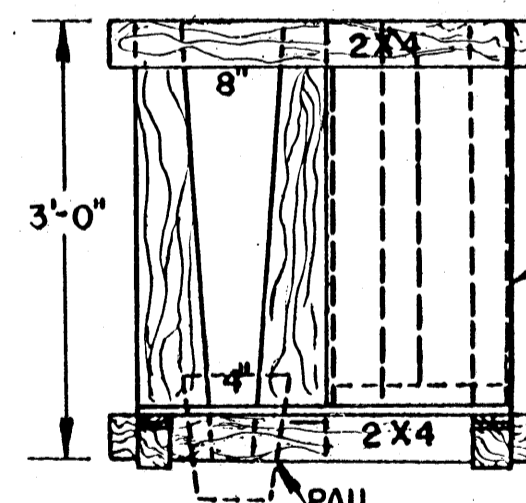
MULTIPLE PEN BUILDING, CLOSED THREE SIDES, OPEN TO THE SOUTH OR SOUTHEAST 3'-6" ROOF EXTENSION TO PROTECT WORKER AND TO KEEP FEED DRY. FOR HEIFERS TO 2 MONTHS OF AGE.



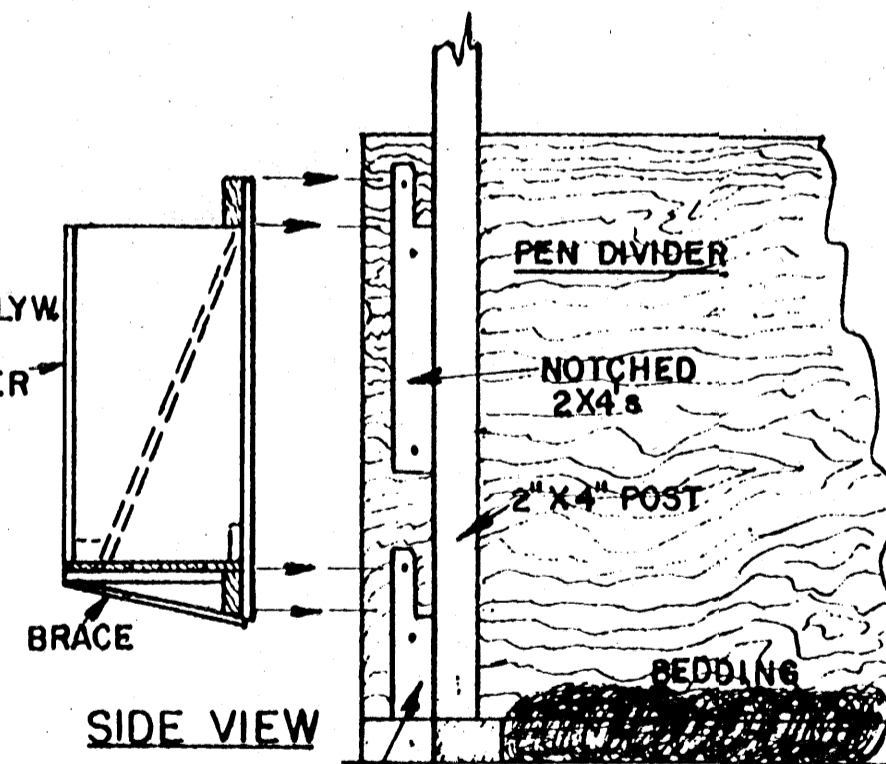
**PLAN VIEW**  
ROOF OMITTED FOR CLARITY  
SCALE 1/2" = 1'  
12' 6" 0 1' 2'



**TOP VIEW**



**FRONT VIEW**



**SIDE VIEW**

**HEADSTOCK UNIT**  
HAY RACK & PAIL SETS INTO NOTCHED 2X4'S ON PEN

SCALE 3/4" = 1'  
12' 6" 0 1'

**NOTE:**  
CONSULT LOCAL HEALTH AND BUILDING CODE AUTHORITIES BEFORE STARTING CONSTRUCTION

BASED ON: PENN. STATE UNIV. PLAN NO. 723-219

COOPERATIVE EXTENSION WORK IN AGRICULTURE AND HOME ECONOMICS		
AND UNITED STATES DEPARTMENT OF AGRICULTURE COOPERATING		
<b>SOLAR CALF KENNEL</b>		
PA. '78	6302	SHEET 1 OF 1