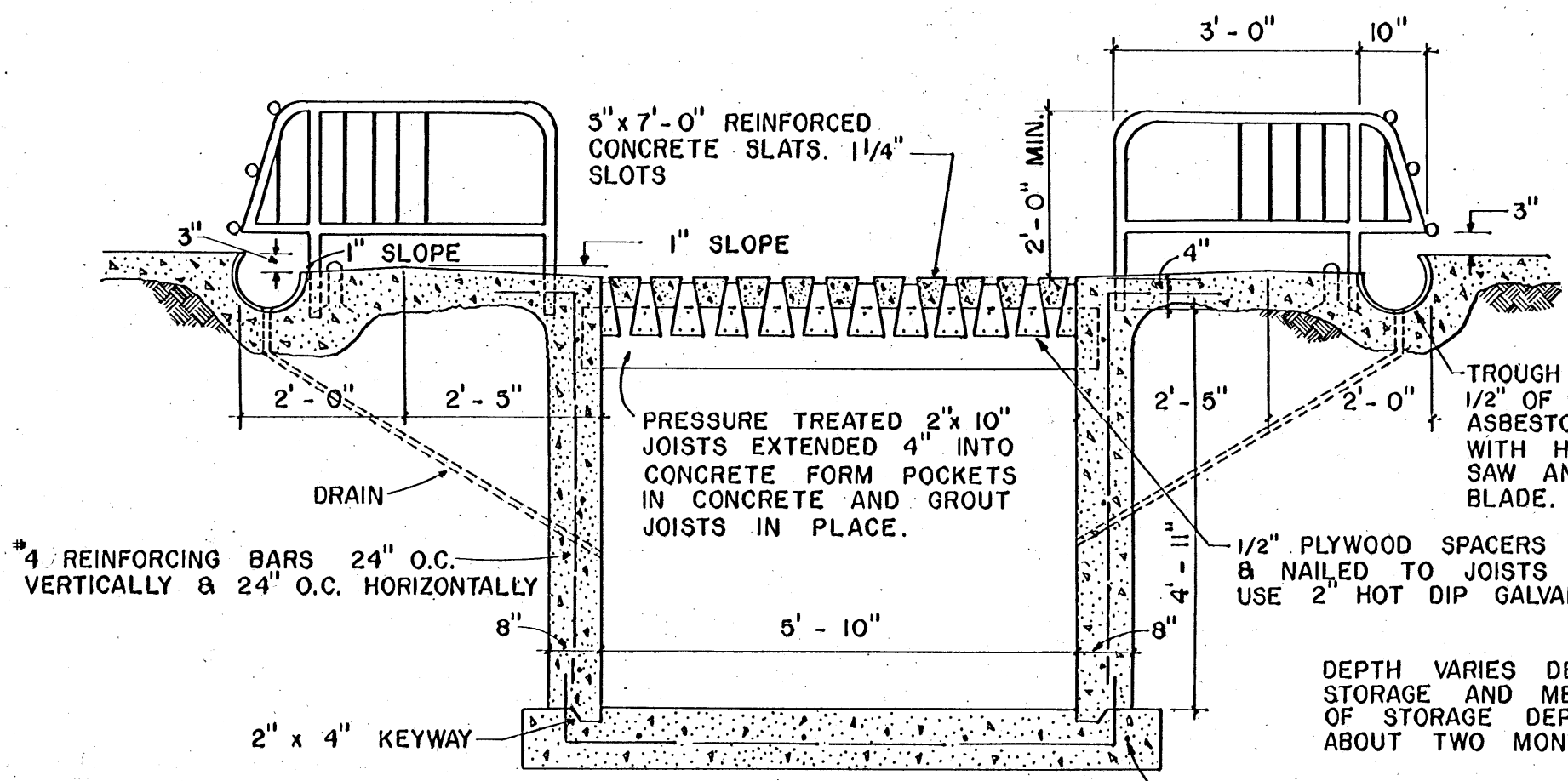


NOTE: DIMENSIONS OF STALL HARDWARE ARE NOT CRITICAL. SEE MANUFACTURER



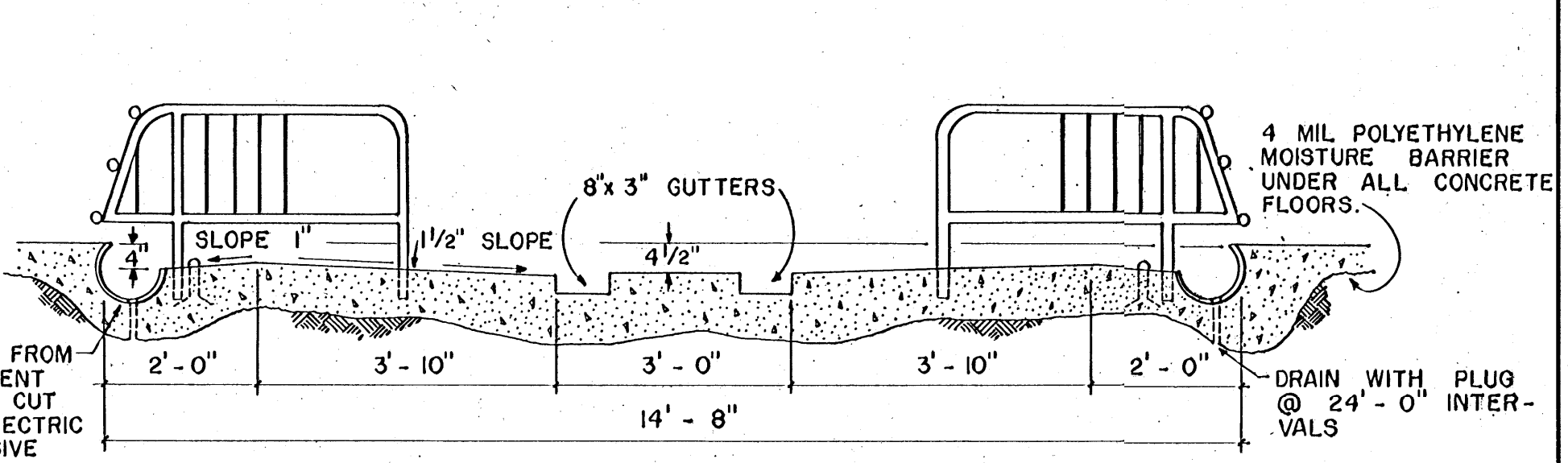
#4 REINFORCING BARS 24" O.C. VERTICALLY & 24" O.C. HORIZONTALLY

NOTE: ALL CONCRETE 3000 P.S.I. UNLESS OTHERWISE SPECIFIED

SECTION "A - A"

#4 REINFORCING BARS 24" O.C. BOTH WAYS

DEPTH VARIES DEPENDING ON REQUIRED LIQUID MANURE STORAGE AND METHOD OF MANURE REMOVAL. 4'-6' OF STORAGE DEPTH WILL ACCUMULATE MANURE FOR ABOUT TWO MONTHS.



ALTERNATE SECTION "A - A" WITH SHALLOW GUTTER

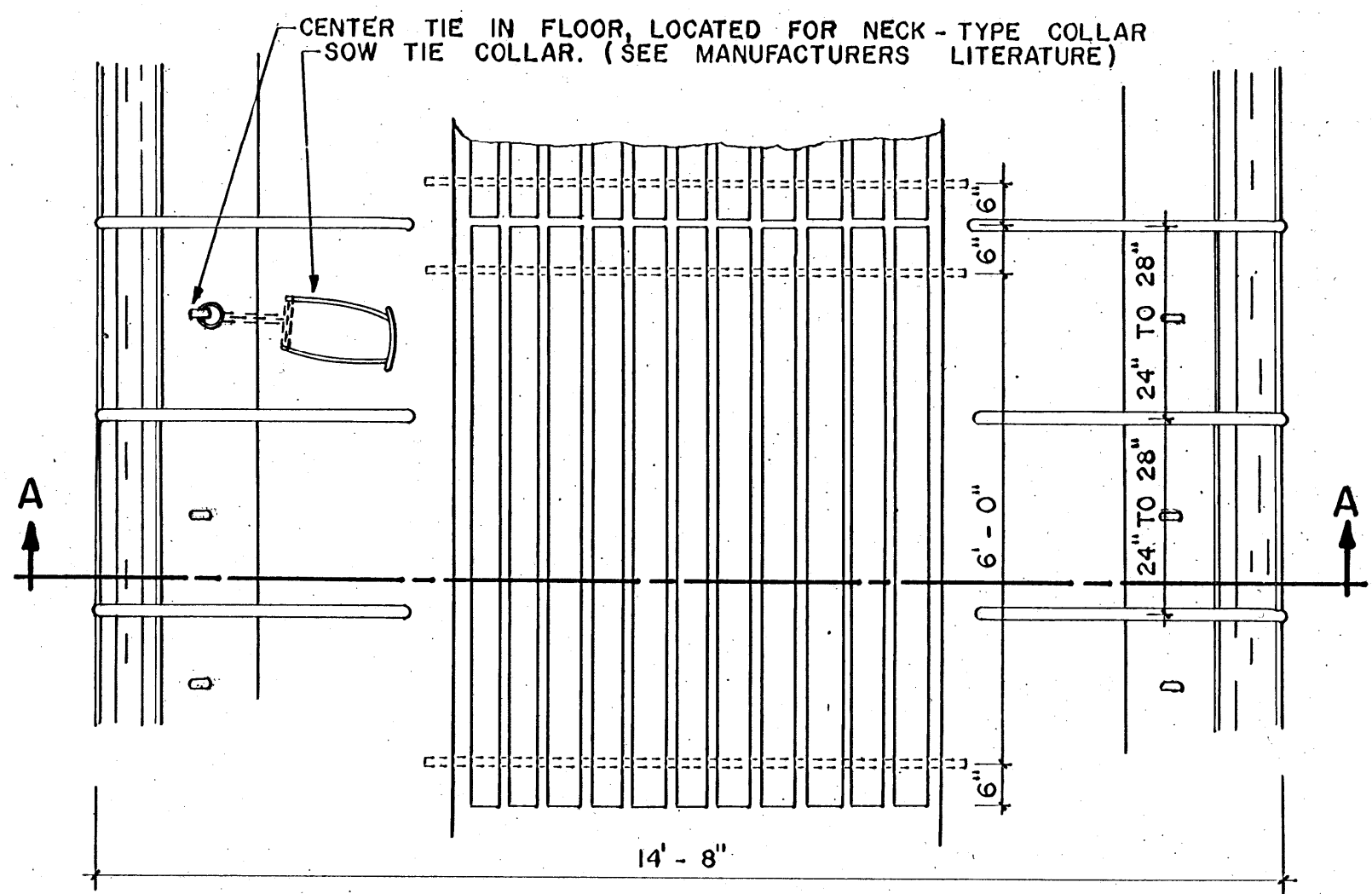
NOTES:

- USE NO BEDDING WITH SUNKEN FEED TROUGH.
- TYING SOWS**
 - UNBRED GILTS HAVE NOT HAD EXPERIENCE OF TIGHT CONFINEMENT AND SHOULD NOT BE TIED.
 - THIS PLAN SHOWS THE NECK-TYPE METAL COLLAR TIE. SOFT COLLAR STRAPS (LEATHER ETC.) ARE NOT SUITABLE AS THEY MUST BE TOO TIGHT IN ORDER TO HOLD SOWS SECURELY.
 - SOME OPERATORS PREFER TYING WITH A BODY STRAP JUST BEHIND THE SHOULDER. RELOCATE FLOOR TIE RING AS PER MANUFACTURER'S RECOMMENDATIONS.
 - SOME SOWS DO NOT ACCEPT TIES, SO PROVIDE OTHER MEANS OF CONFINEMENT.
- FEEDING AND WATERING**

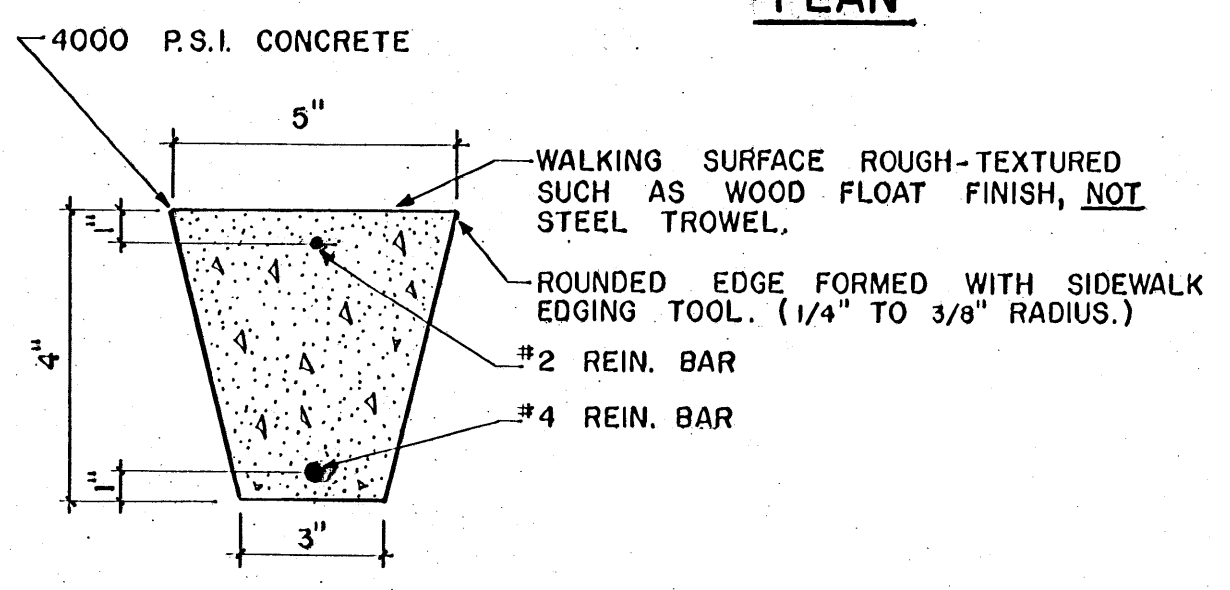
NO WATER BOWLS REQUIRED WITH GESTATION TIE STALLS. FEED TROUGH HOLDS A WATER SUPPLY WHICH IS CONTROLLED BY GUARDED FLOAT VALVES AT 24'-0" INTERVALS APPROXIMATELY.

TO FEED

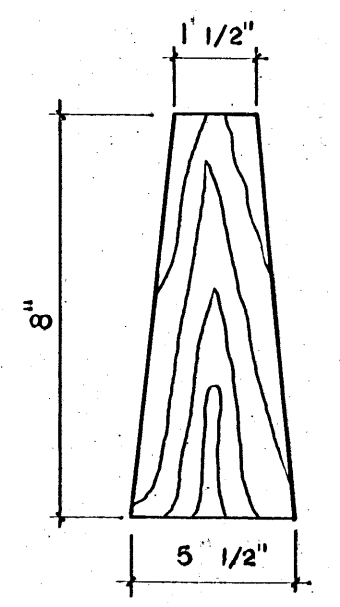
 - MEASURE AND PLACE FEED TO EACH SOW. FEED IS WETTED BY DRINKING WATER REMAINING IN TROUGH.
 - NOTE THAT TROUGH BOTTOM SHOULD BE LEVEL TO SUPPLY EQUAL WATER TO EACH SOW.



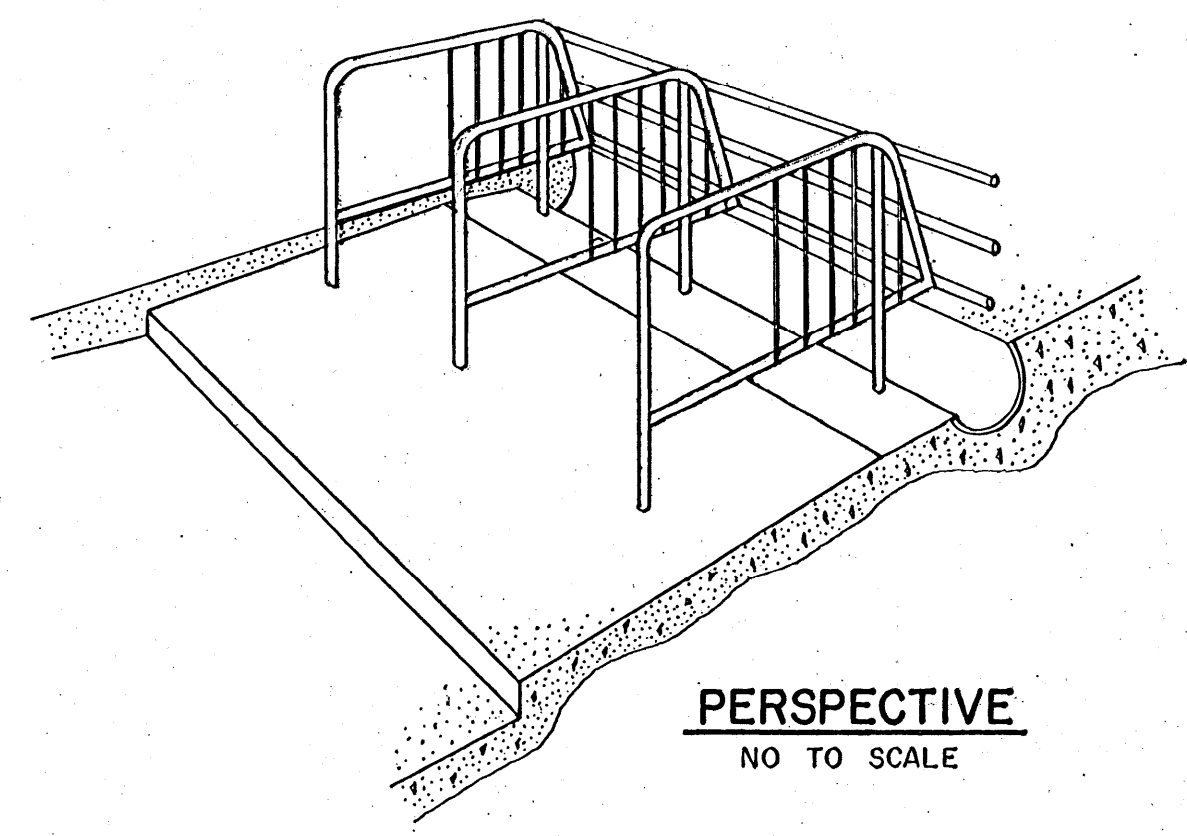
PLAN



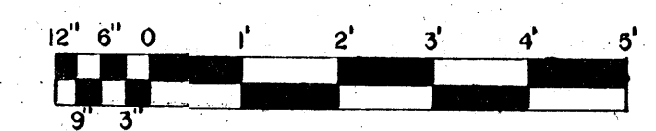
SLAT DETAIL
TYPICAL SECTION
NOT TO SCALE



1/2" PLYWOOD SPACER
NOT TO SCALE



PERSPECTIVE
NO TO SCALE



SCALE 1/2" = 1'-0" UNLESS OTHERWISE NOTE

COOPERATIVE EXTENSION WORK IN AGRICULTURE AND HOME ECONOMICS

STATE OF MISSISSIPPI

MISSISSIPPI STATE UNIVERSITY

UNITED STATES DEPARTMENT OF AGRICULTURE COOPERATING

GESTATION TIE STALLS (FOR NO BEDDING)

USDA '79	EX. 6322	SHEET 1 OF 1
----------	----------	--------------