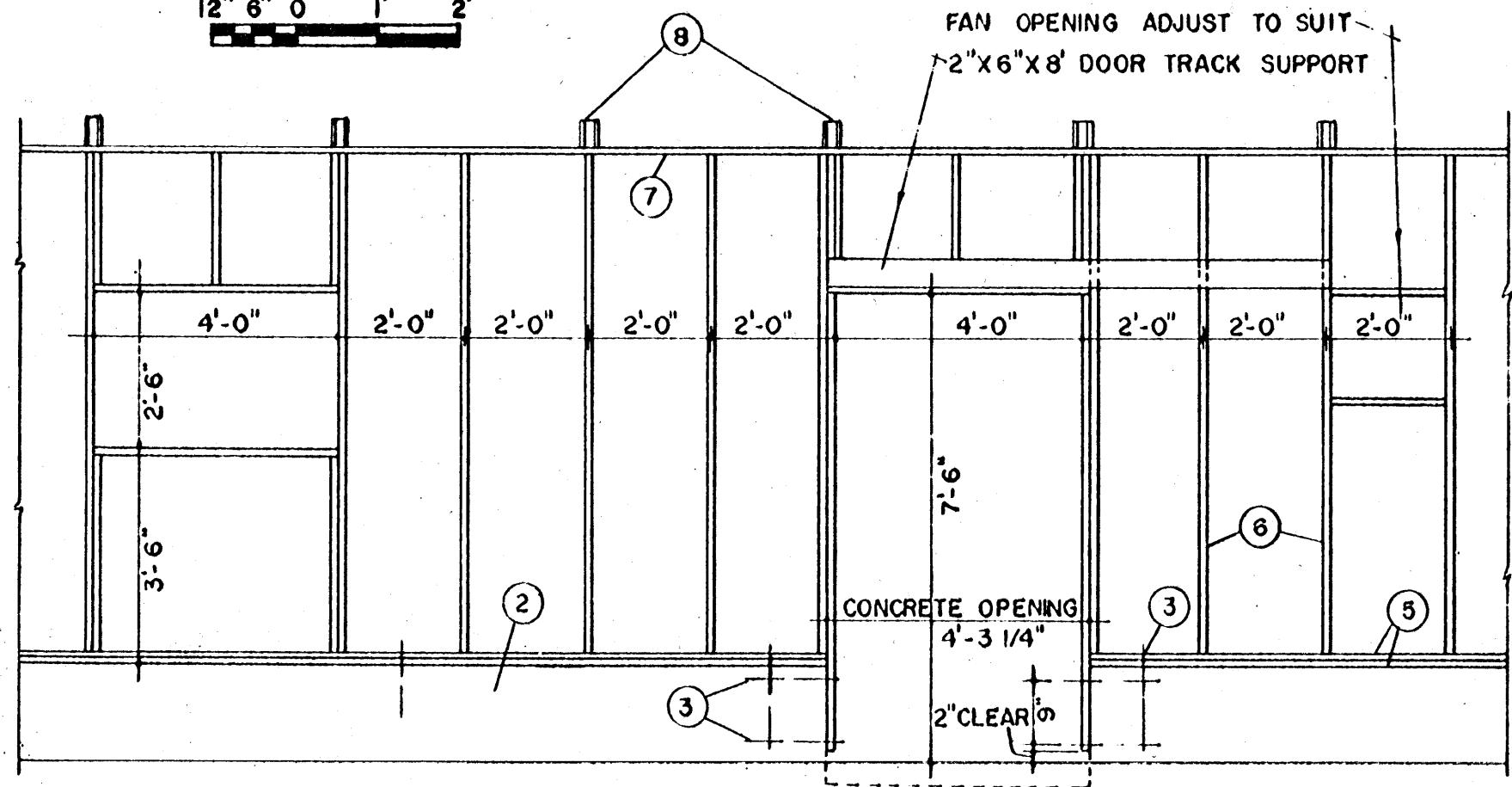


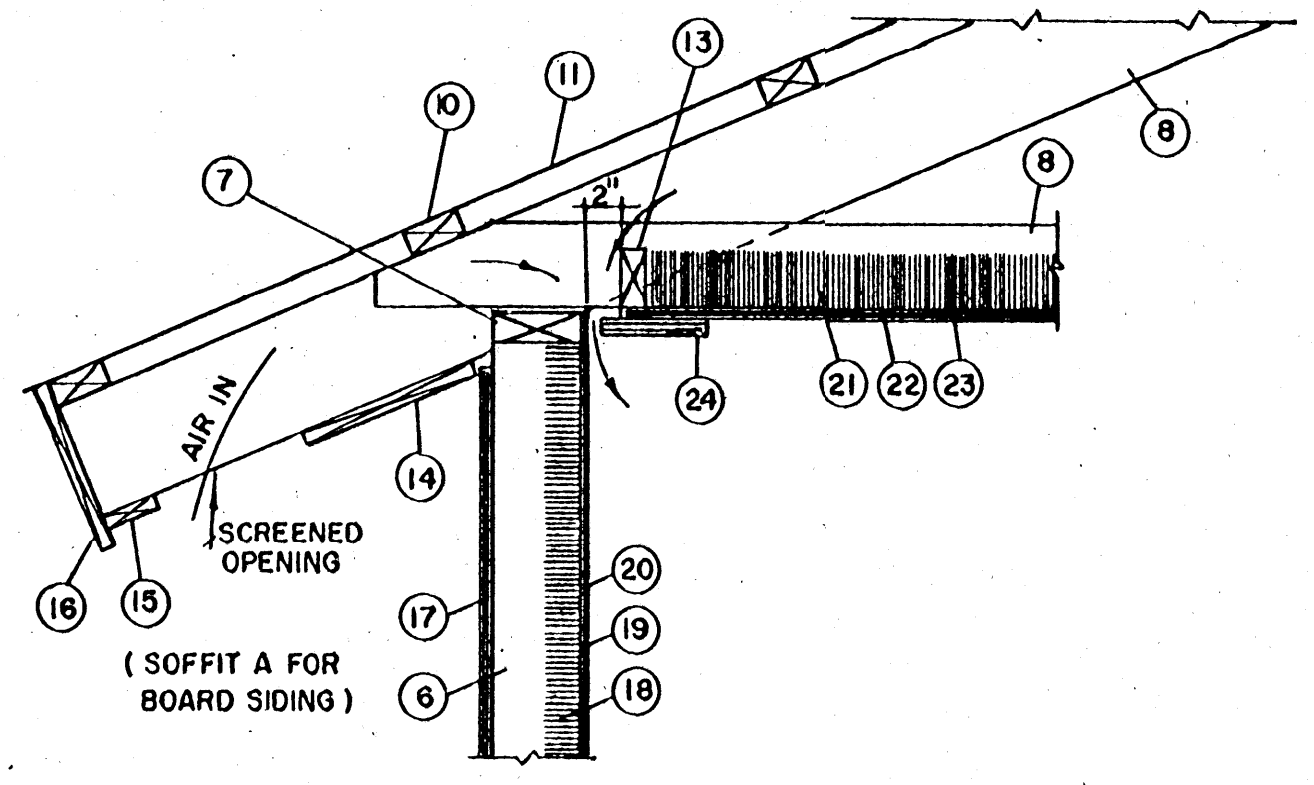
**WALL SECTION C-C**  
SCALE 1/2" = 1'-0"  
12' 6" 0' 1' 2'



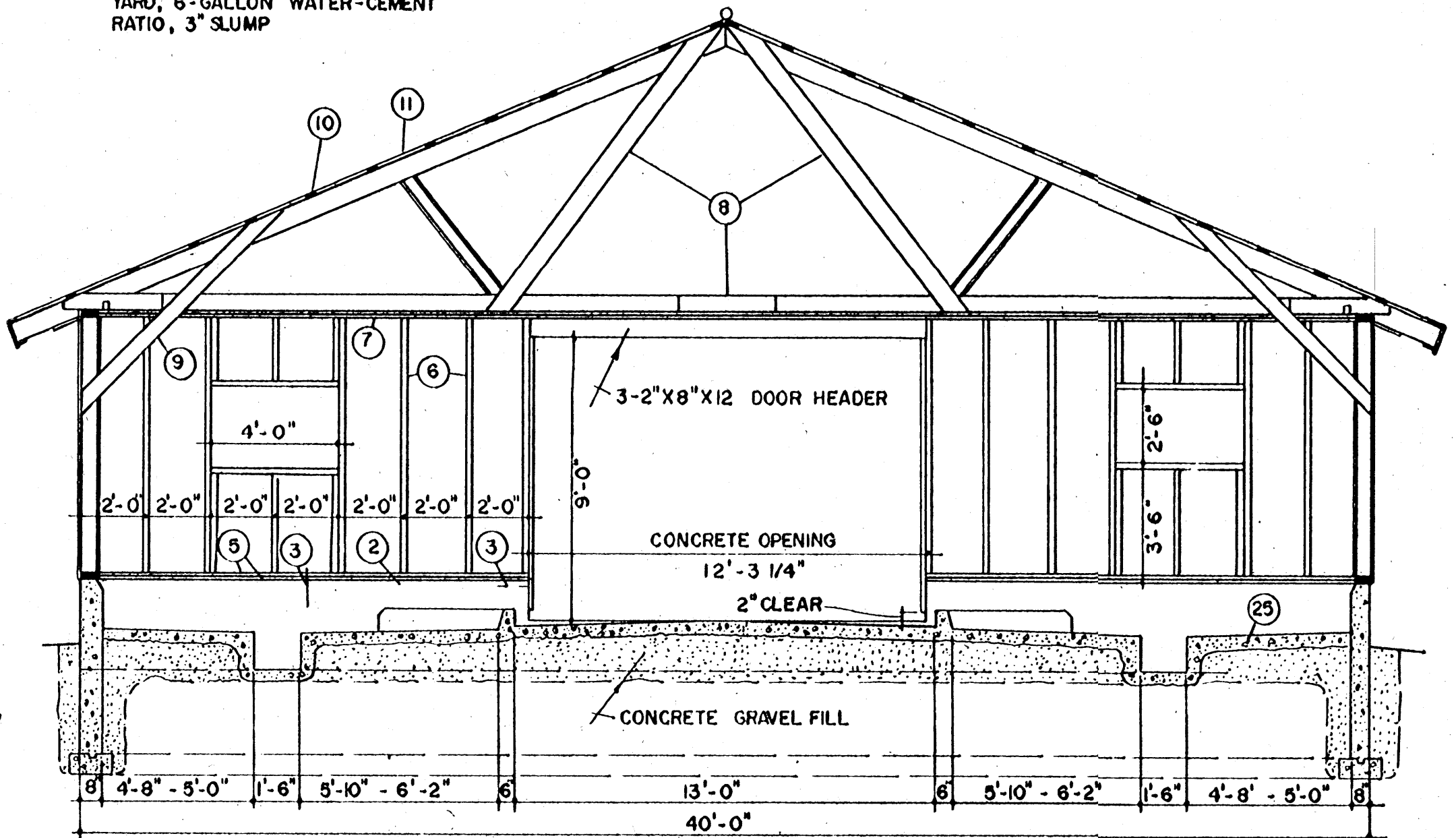
**TYPICAL WALL FRAMING DETAIL**  
SCALE 3/8" = 1'-0"  
12' 6" 0" 1' 2' 3' 4'

**PIECE LIST, NOTES & SPECIFICATIONS**

1. 1"X2" FOOTING, KEY FORM WITH OILED 1"X2"
2. 8" WIDE CONCRETE FOUNDATION SPECIFY CONCRETE MIX WITH 3/4" MAXIMUM AGGREGATE, 6 1/2 SACKS OF CEMENT PER CUBIC YARD & 6-GALLON WATER-CEMENT RATIO.
3. 1/2"X1'-6" ANCHOR BOLT, 6'O.C. AND IN WALLS AT DOORS.
4. 18"X6 MIL BLACK POLYETHYLENE FILM & SILL INSULATION. FASTEN FREE EDGE OF FILM UNDER INTERNAL SHEATHING
5. 2"X6" SILL
6. 2"X6"X8'-0" STUD 2'-0" O.C.
7. 2"X6" PLATE
8. 40' SPAN 5 IN 12 SLOPE TRUSS, 4'-0" O.C.
9. 2"X6"X8'-6" WIND BRACE 12'-0" O.C.
10. 2"X4"X12' PURLIN, 2'-0" O.C.
11. SHEET METAL ROOFING
12. 2"X4"X2'-0" CLEAT USE ONLY IF PLYWOOD SHEET SIDING WILL BE USED, 4'-0" O.C.
13. 2"X4" INSULATION STOP. CUT TO FIT BETWEEN TRUSSES
14. 1"X10" SOFFIT
15. 1"X4" SOFFIT
16. 1"X12" FASCIA
17. EXTERIOR SHEATHING: 1" BOARDS OR 1/2" EXTERIOR PLYWOOD.
18. WALL INSULATION: 2" (PREFERABLY 3") INORGANIC BATT OR EQUIVALENT
19. WALL VAPOR BARRIER: 6 MIL BLACK POLYETHYLENE FILM OR EQUIVALENT.
20. INTERIOR SHEATHING 3/8" EXTERIOR PLYWOOD, 1/4" ASBESTOS CEMENT BOARD BACKED WITH 1/4" EXTERIOR PLYWOOD IN ANIMAL CONTACT AREA, OR 1" BOARDS.
21. CEILING INSULATION: 3" (PREFERABLE 4") INORGANIC FIBER BATT OR FILL OR EQUIVALENT
22. CEILING VAPOR BARRIER: 6 MIL BLACK POLYETHYLENE FILM. (NOT USED WITH ALUMINUM CEILING.)
23. CEILING: ALUMINUM ROOFING MATERIAL (SEAL JOINTS WITH MASTIC FOR VAPOR BARRIER), 3/8" EXTERIOR PLYWOOD WITH 2"X4" BATTENS OVER LONGITUDINAL JOINTS, 1/2" EXT. PLYWOOD WITHOUT BATTEN STRIPS (USE NON-CORROSIVE NAILS), OR ASBESTOS CEMENT BOARD OVER FURRING STRIPS.
24. 1" BOARD OR 3/4" EXTERIOR PLYWOOD SLOT INLET CONTROL DOOR BOLT TO INSULATION STOP WITH CADMIUM PLATED BOLTS & WING NUTS. SLOT HOLES FOR SEASONAL ADJUSTMENT.
25. CONCRETE FLOOR: 1 1/2" MAXIMUM AGGREGATE, 6-SACKS PER CUBIC YARD, 6-GALLON WATER-CEMENT RATIO, 3" SLUMP



**VENTILATION SLOT DETAIL**  
SCALE 1" = 1'-0"  
12' 9" 6" 3" 0' 1' 2'



**SECTION A-A**  
SCALE 1/4" = 1'-0"  
12' 6" 0" 1' 2' 3' 4' 9' 3"

COOPERATIVE EXTENSION WORK IN AGRICULTURE AND HOME ECONOMICS

STATE OF MISSISSIPPI  
MISSISSIPPI STATE UNIVERSITY  
UNITED STATES DEPARTMENT OF AGRICULTURE COOPERATING

40' WIDE, CLEAR SPAN, FACE-IN STALL BARN

MASS. '80	EX. 6326	SHEET 2 OF 2
-----------	----------	--------------