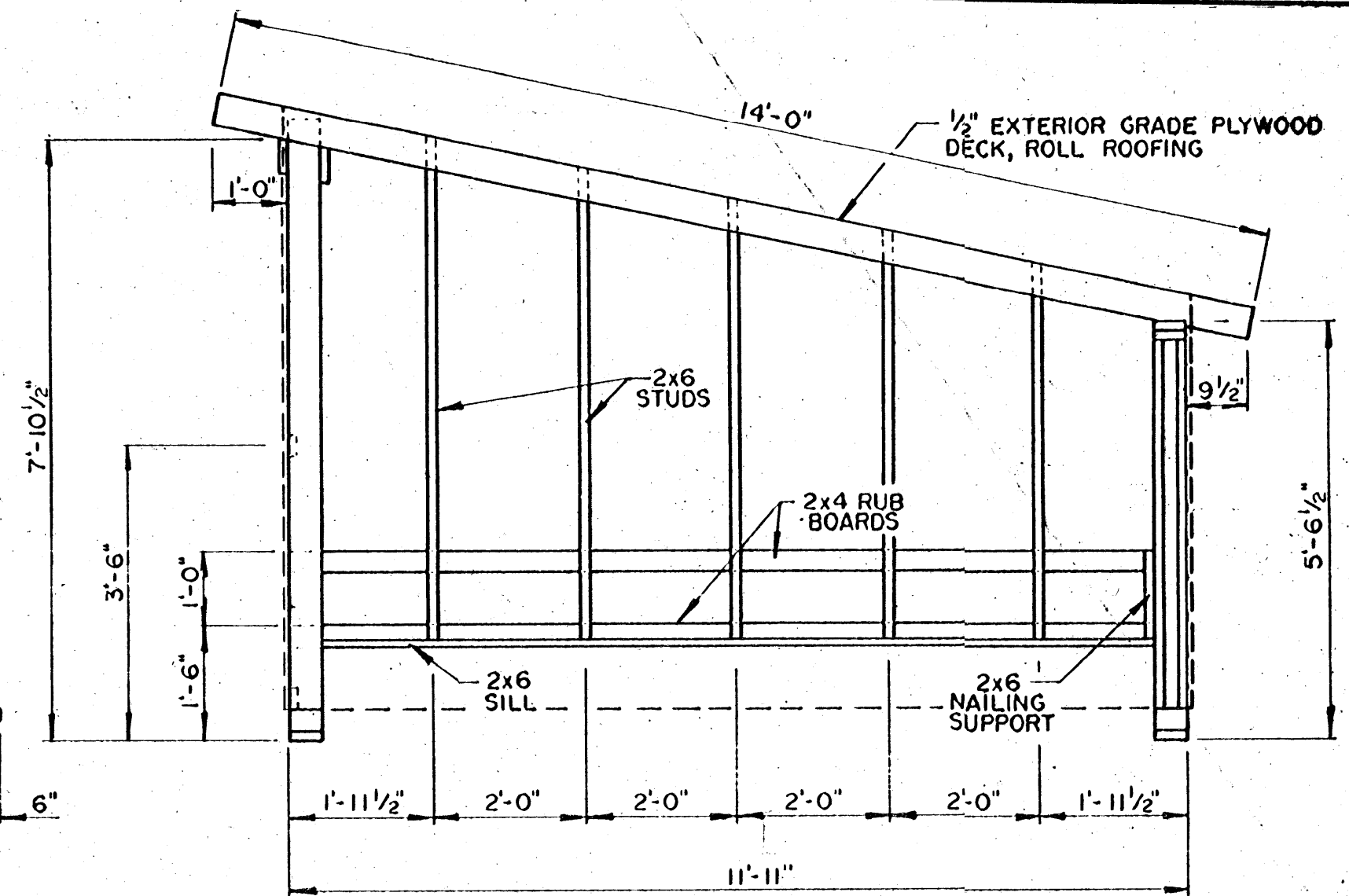
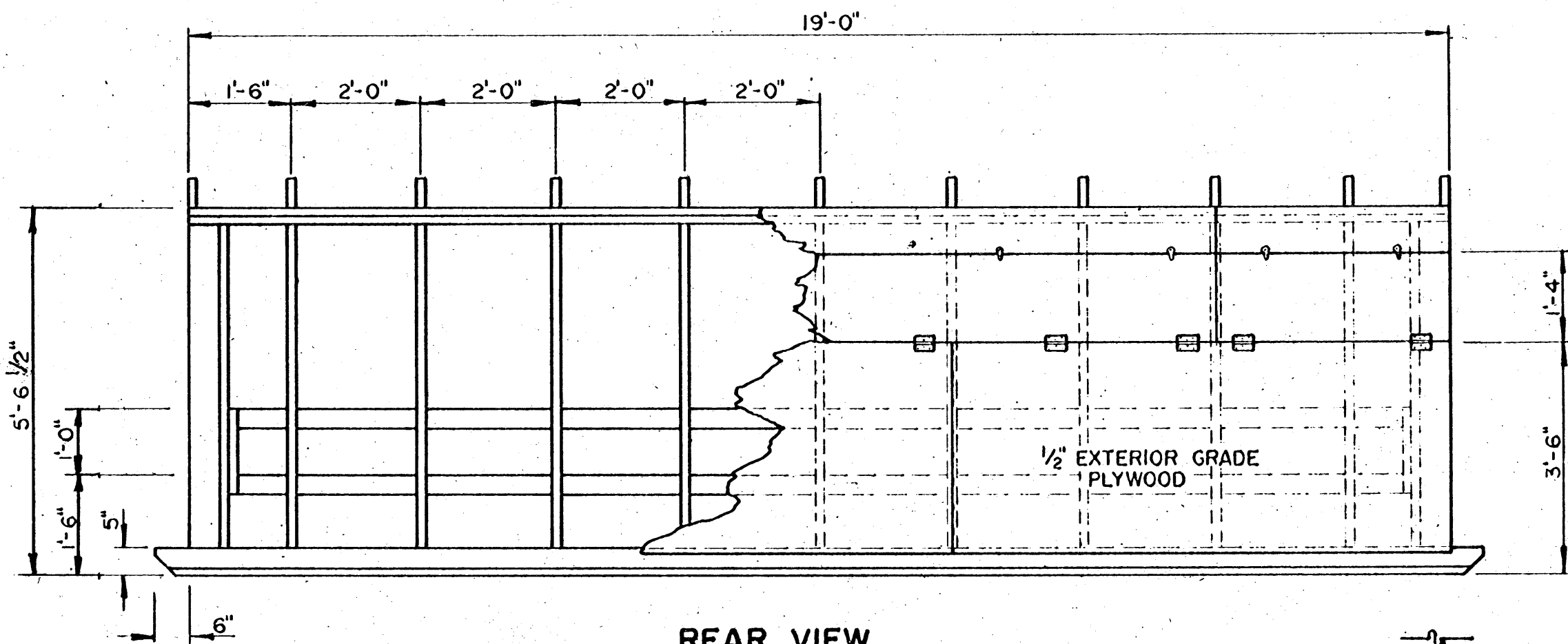


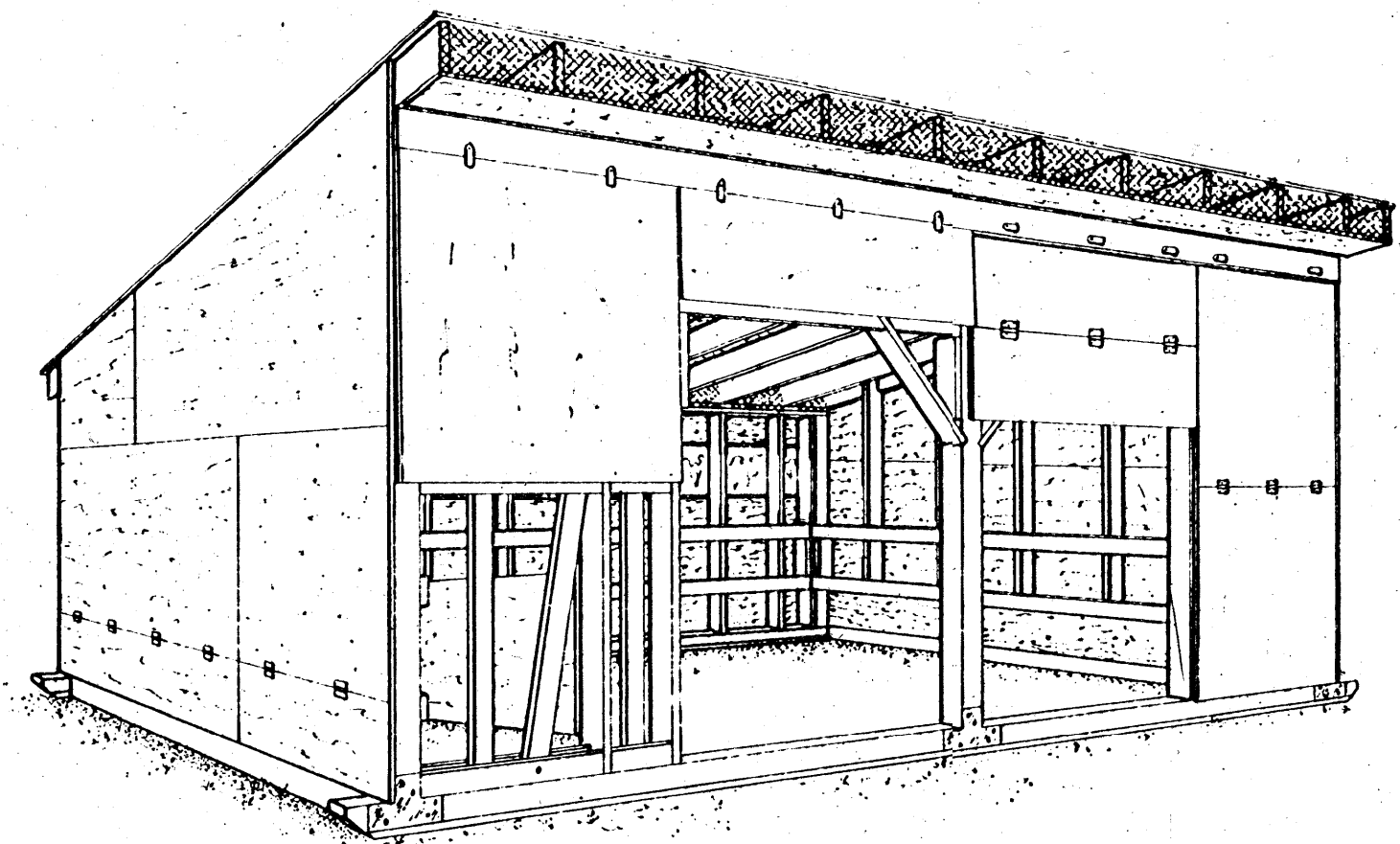
FRONT VIEW



SIDE VIEW



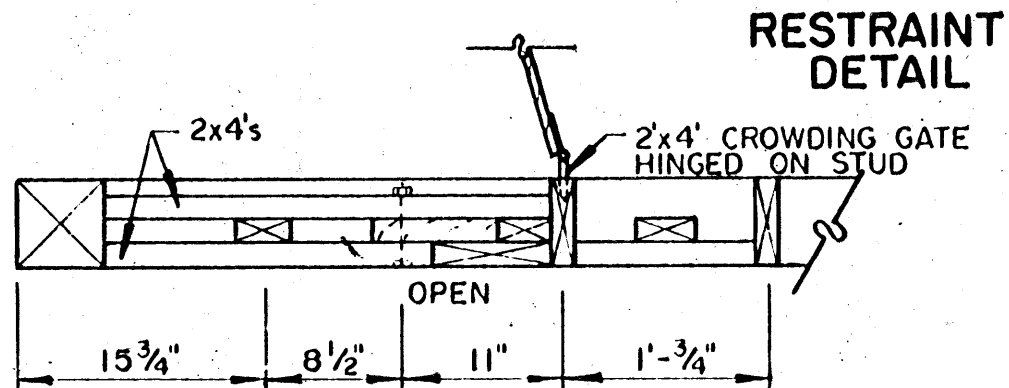
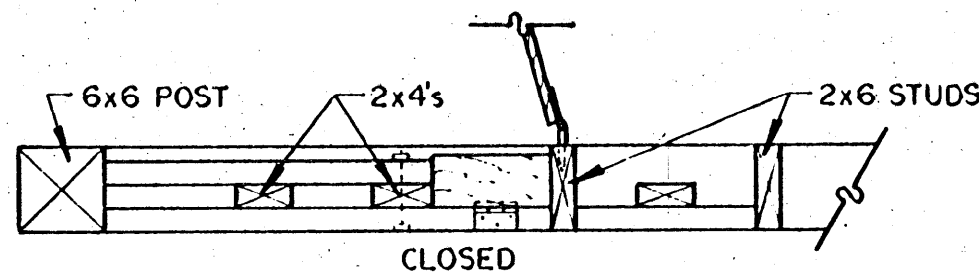
REAR VIEW



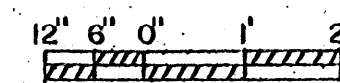
PERSPECTIVE

NOTES

1. ADJUST FRONT AND REAR HINGED PANELS ACCORDING TO WEATHER CONDITIONS.
2. FOR EXPOSED LOCATIONS PARTIAL CLOSING OF SPACE BETWEEN RAFTERS AT FRONT MAY BE NECESSARY IN WINTER.
3. PROVIDE OUTSIDE FENCED AREA FOR FEEDING AND WATERING.
4. SWING UP END PANEL THEN MOVE BUILDING TO CLEAN.
5. CAPACITY-- 8 CALVES TO ABOUT 400 LBS.
6. ANCHOR AGAINST HIGH WINDS.
7. CLOSE BOTH SIDES OF OPENINGS BETWEEN RAFTERS WITH 1/2" MESH SCREEN TO KEEP BIRDS FROM NESTING.



RESTRAINT  
DETAIL



SCALE-- 1/2"=1'-0" UNLESS OTHERWISE STATED



SCALE-- 1"=1'-0"

COOPERATIVE EXTENSION WORK IN AGRICULTURE AND HOME ECONOMICS		
STATE OF MISSISSIPPI		
MISSISSIPPI STATE UNIVERSITY		
AND UNITED STATES DEPARTMENT OF AGRICULTURE COOPERATING		
SUPER CALF HUTCH		
MN 81	EX. 6342	SHEET 1 OF 1