

EXTERIOR CLADDING TO MATCH BUILDING

2x6 FRAMING, 2'-0" O.C.

2x6 BLOCKING AT ALL HINGE LOCATION

DRILL THROUGH DOORS AND BUILDING AND SECURE HINGES WITH 1/2" Ø BOLTS, NUTS AND WASHERS

2x6 BLOCKING AT ALL LAG BOLT LOCATION

WEATHERSTRIPPING ON ALL EDGES OF DOORS

1 1/2" Ø GALVANIZED PIPE 13'-8" LONG

DOOR OVERHANG 2x4 FRAMING, FLASHING AT INTERSECTION OF WALL CLADDING AND ROOF

2x6 BLOCKING AT ALL UNSUPPORTED PLYWOOD JOINT

R20 FRICTION FIT INSULATION

4 MIL POLY V.B.

3/8" EXTERIOR GRADE PLYWOOD SHEATHING

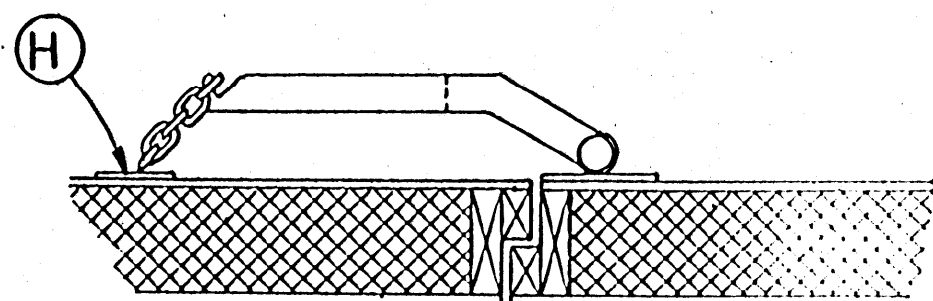
2x6 BLOCKING

3/4" Ø, 8" LONG FLOOR PIN LOCATE BEFORE POURING CONCRETE

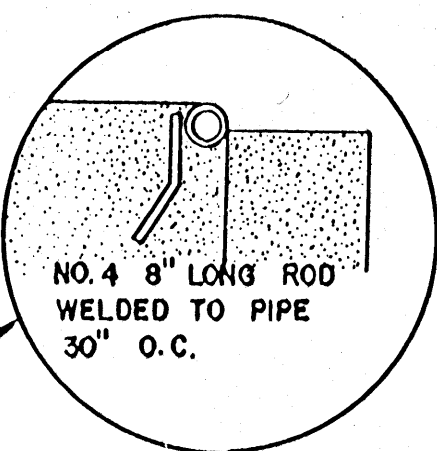
2" Ø, 12'-0" LONG GALVANIZED BUMPER PIPE WITH NO. 4x8' REBAR ANCHORS WELDED AT 30" O.C.

FRONT VIEW

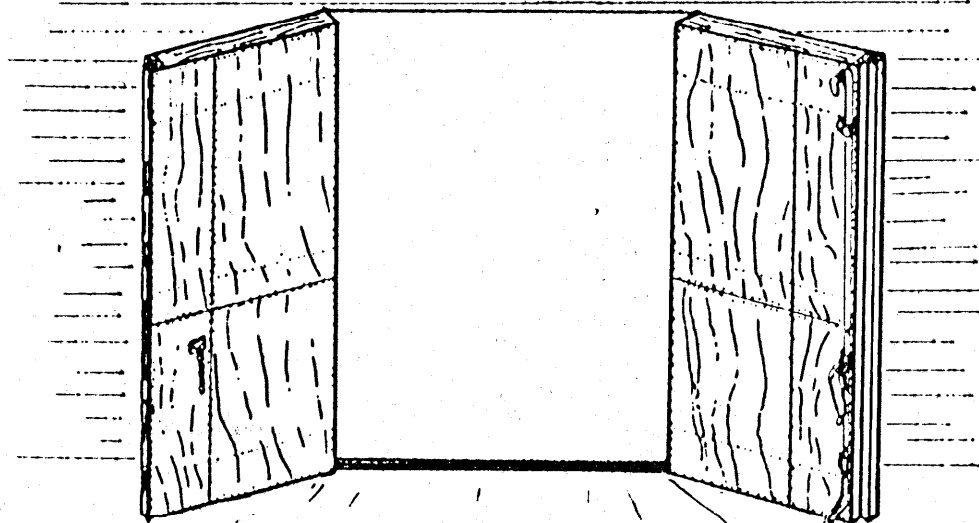
SECTION A-A



SECTION B-B



DOOR SILL DETAIL



PERSPECTIVE

COOPERATIVE EXTENSION SERVICE
AGRICULTURE AND HOME ECONOMICS

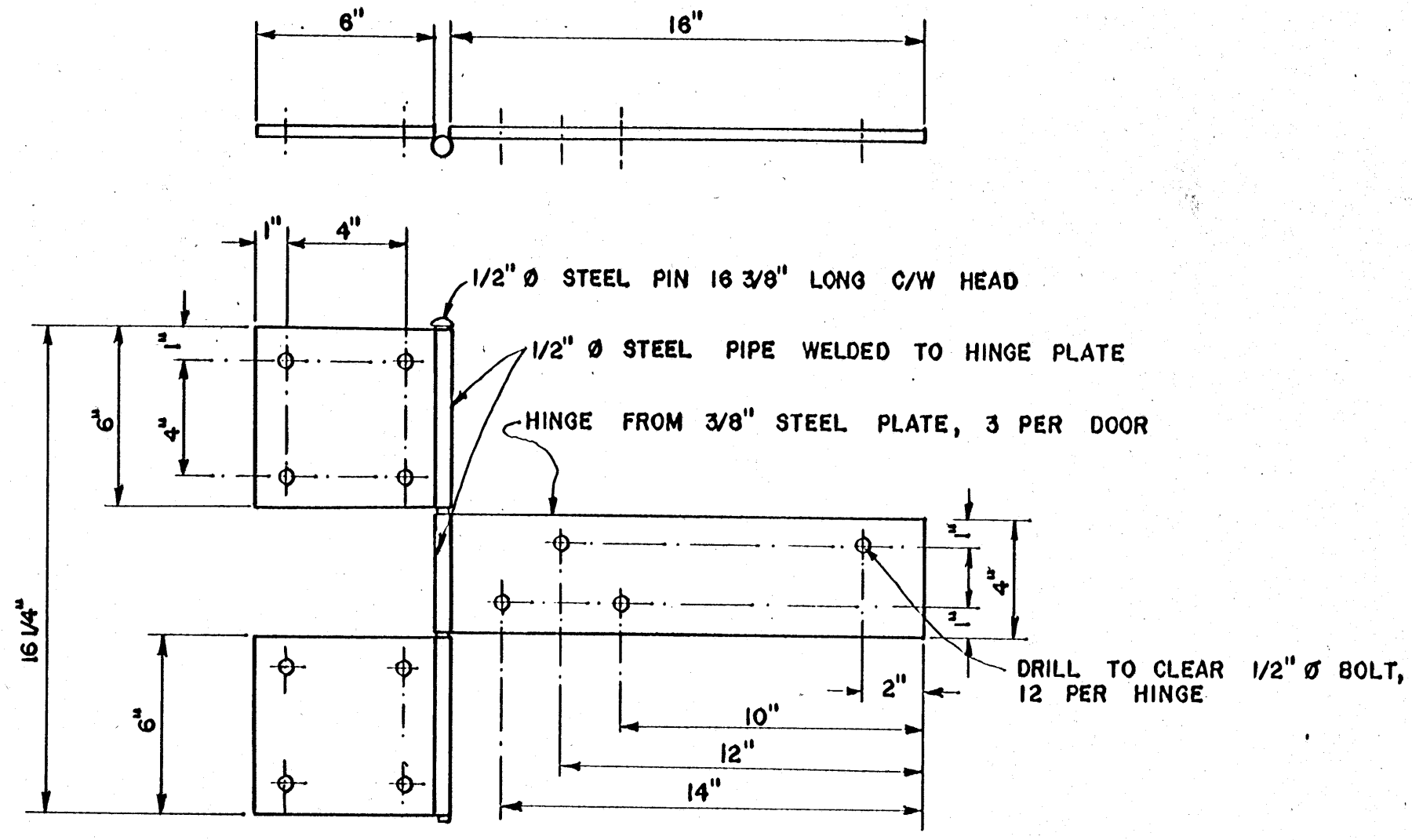
AND
UNITED STATES DEPARTMENT OF AGRICULTURE COOPERATING

INSULATED STORAGE DOORS

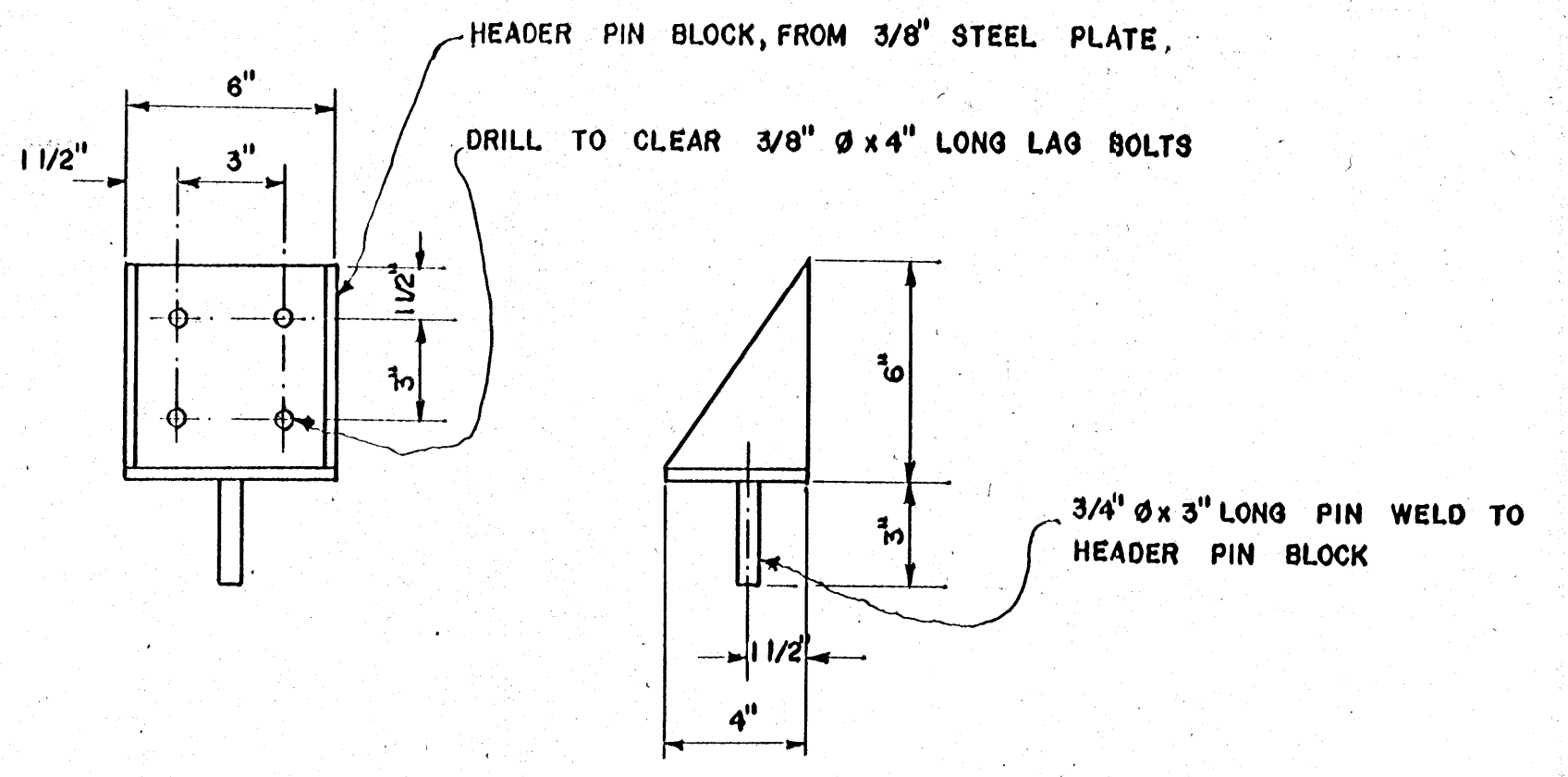
CAN '86 6383 SHEET 1 OF 2

DRAWING NOT TO SCALE

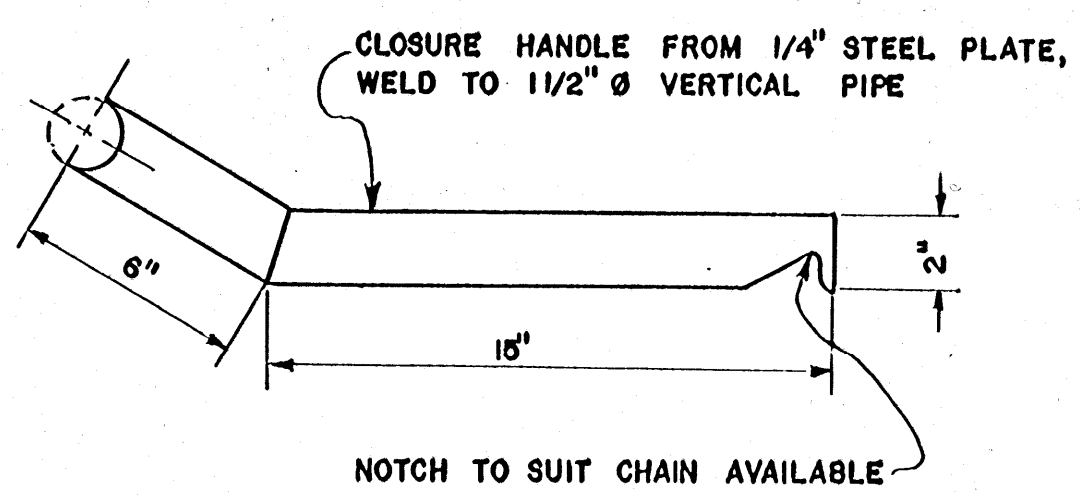
ADOPTED FROM CANADA PLAN SERVICE #6121



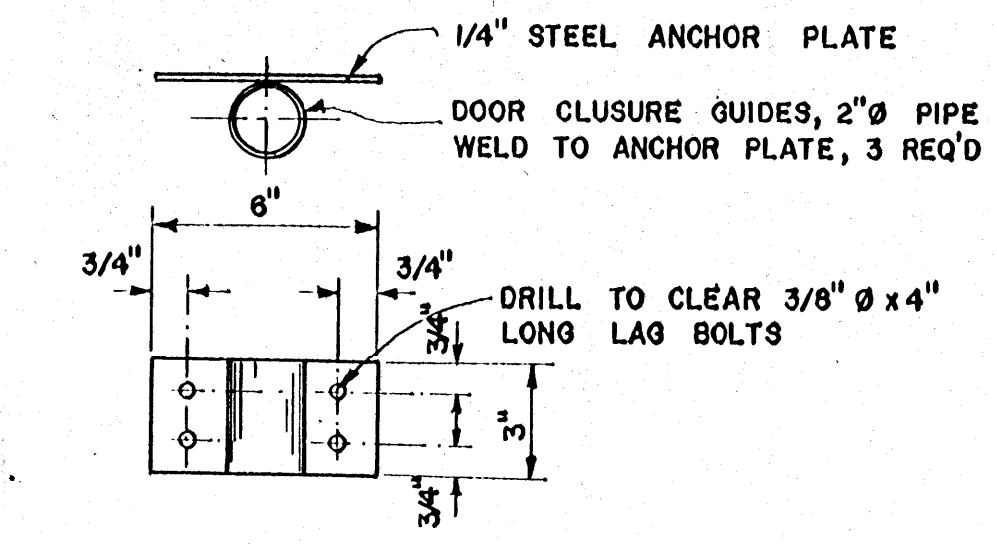
HINGE DETAIL (C)



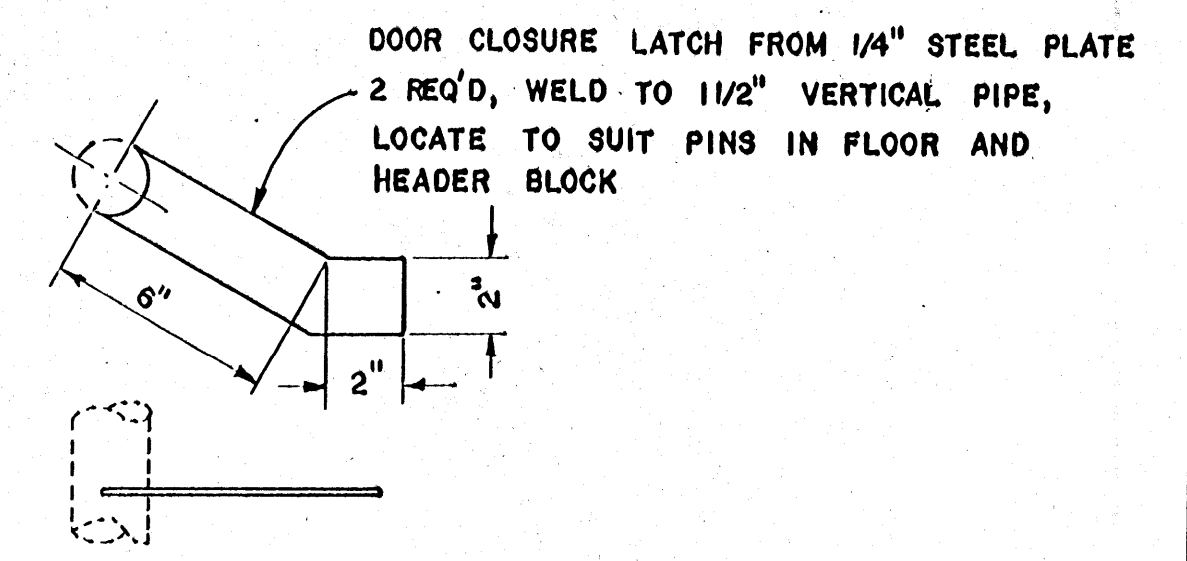
UPPER PIN DETAIL (D)



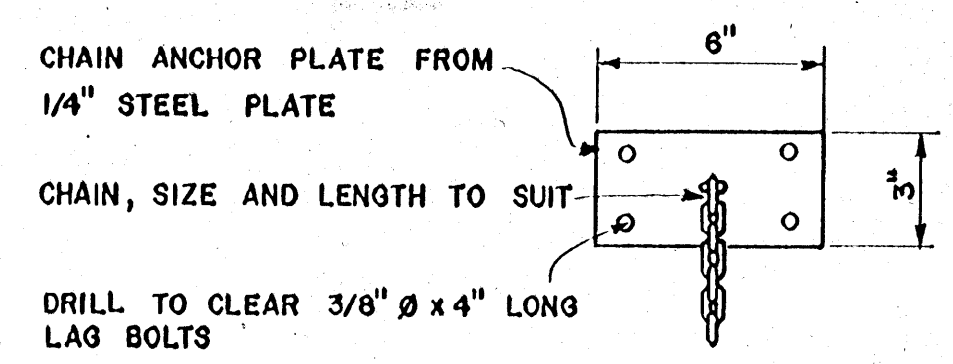
MIDDLE LATCH DETAIL (E)



PIPE GUIDE DETAIL (F)



UPPER AND LOWER LATCH DETAIL (G)



CHAIN LATCH DETAIL (H)

COOPERATIVE EXTENSION SERVICE
AGRICULTURE AND HOME ECONOMICS

AND
UNITED STATES DEPARTMENT OF AGRICULTURE COOPERATING

INSULATED STORAGE DOORS

CAN '86	6383	SHEET 2 OF 2
---------	------	--------------

DRAWING NOT TO SCALE